

Heat exchanger Hi-Flow titanium

Hi-Flow titanium



Hi-Flow titanium

Hi-flow titanium is a spiral heat exchanger made of titanium for the most demanding installations where there is a high risk of corrosion. Titanium is ideal for swimming pools with salt water or where a salt generator/chlorinator is used. Adjustable stainless steel attachments included.

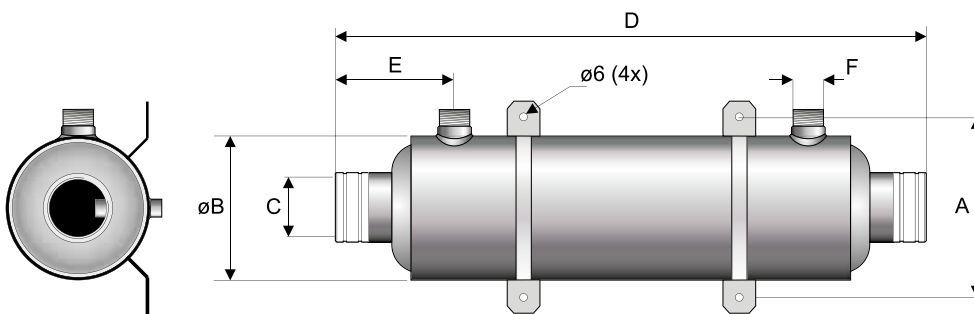
Maximum pressure secondary circuit (pool water) is 5 bar and primary circuit (hot water) is 30 bar.

Suitable for pools up to 300m³

Hi-Flow is a **spiral heat exchanger** made of **titanium**, the ideal material when a **chlorinator** is used. Suitable for **installations with high pressure**.

Features

- Titanium
- Connections with interior thread (secondary side)
- Coil for the heating medium
- Pocket for probe
- Adjustable brackets of acid proof stainless steel
- Three sizes 28, 70 and 75 kW
- Connects to existing heat source



Dimensions								
Item no.	kW	A	B	C	D	E	F	G
11332	28	139	113	1½"	470	95	1"	51
11333	40	139	127	1½"	510	108	1"	51
11334	75	139	127	1½"	754	108	1"	51

Technical data									
Item no.	Model	Capacity			Primary, hot water		Secondary, pool water		kg
		kW	kBtu/h	kcal	l/min	press. drop H (m)	l/min	press. drop H (m)	
11332	T 28	28	95	24 075	20	1	300	1,1	1,9
11333	T 40	40	135	34 393	40	2,3	350	1,7	2,0
11334	T 75	75	260	64 480	45	5,2	350	1,7	2,9

Capacity at 60°C temperature difference case 11332 and 11333, capacity at 70°C temperature difference case 11334.