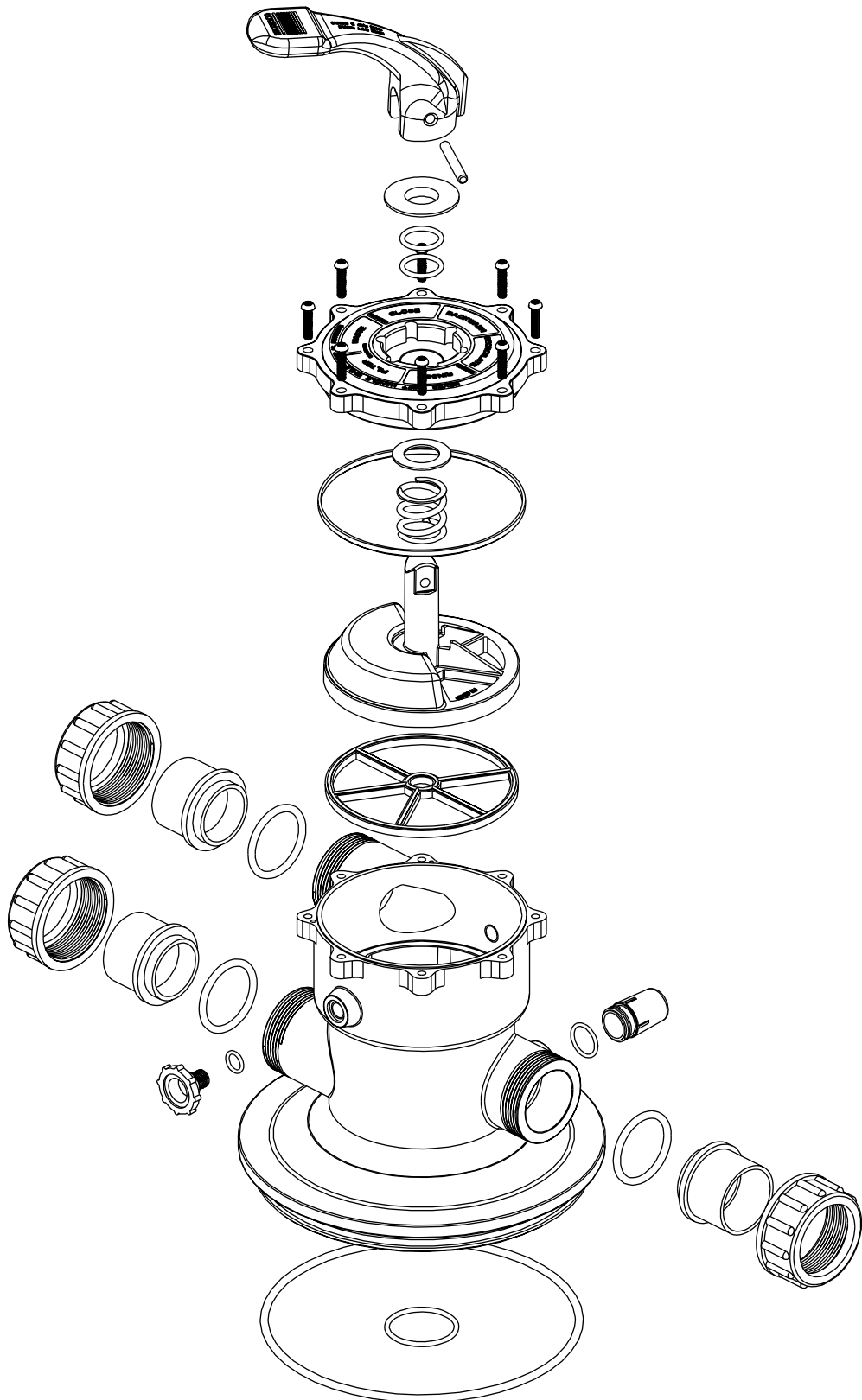


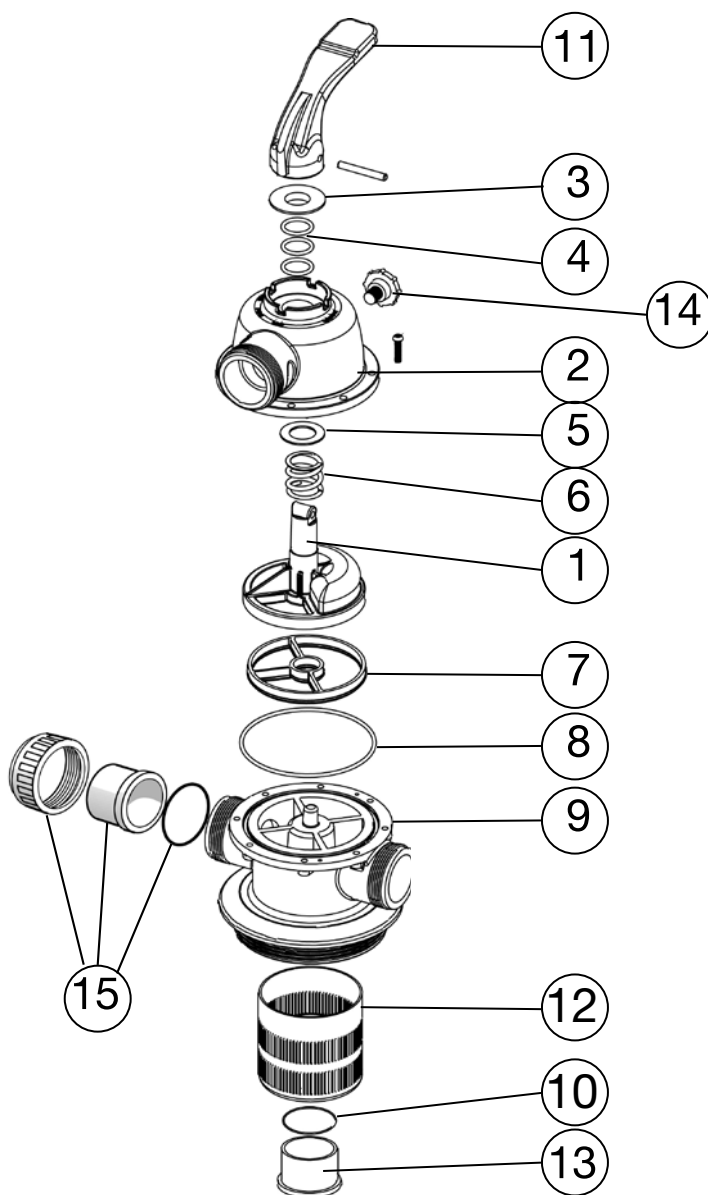
WATERCO

Spare Parts Catalogue



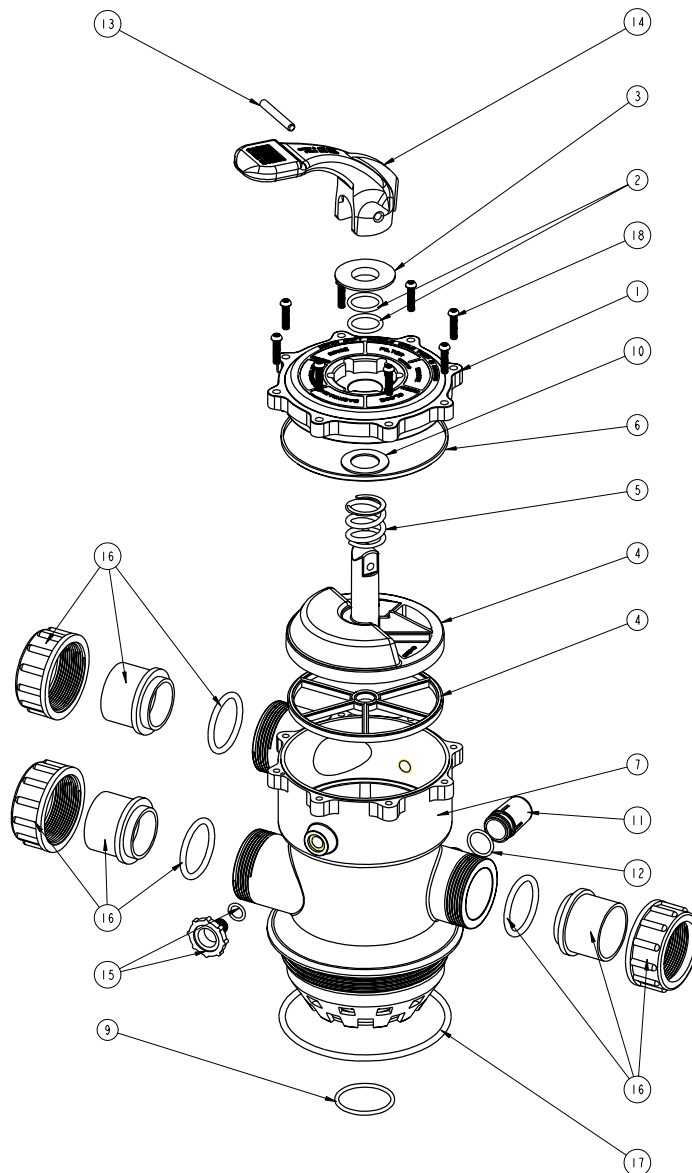
4 Way Multiport Valve - 1 1/2" / 50mm

Part Number	Product Description	Diagram No.	LIST PRICE
621476	Rotor with Spider gasket	1, 7	£6.54
621470	MPV 4 way top cover	2	£4.65
6214520	Teflon ring	3	£6.80
621457	Axle o ring - BS214 (3 required)	4	£4.70
621455	Teflon spring washer	5	£5.04
621477	Spring	6	£4.65
621475	MPV 4 way spider gasket	7	£22.37
621479	Top cover o ring	8	£7.58
6214661	Body	9	£40.87
621473	Sleeve o ring 4 way MPV	10	£0.79
6214511	Handle	11	£24.46
W02688	Diffuser 4 Way MPV 40mm	12	£10.91
W02689	Sleeve 4 Way MPV 40mm	13	£9.83
620221	Air Release Valve With O-Ring	14	£4.65
122243B	1/2" Half Union (3 Required)	15	£5.18
122245B	50mm Metric Half Union (3 Required)	15	£5.33



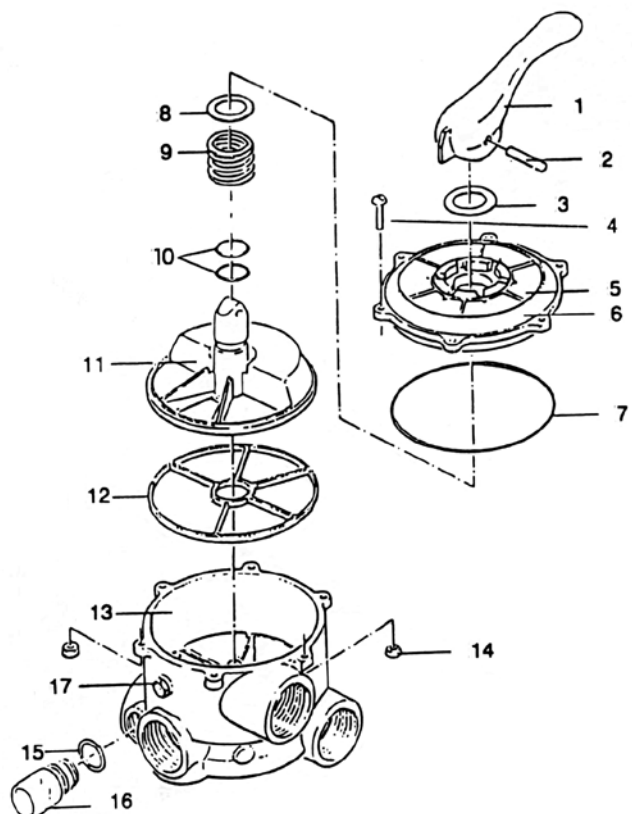
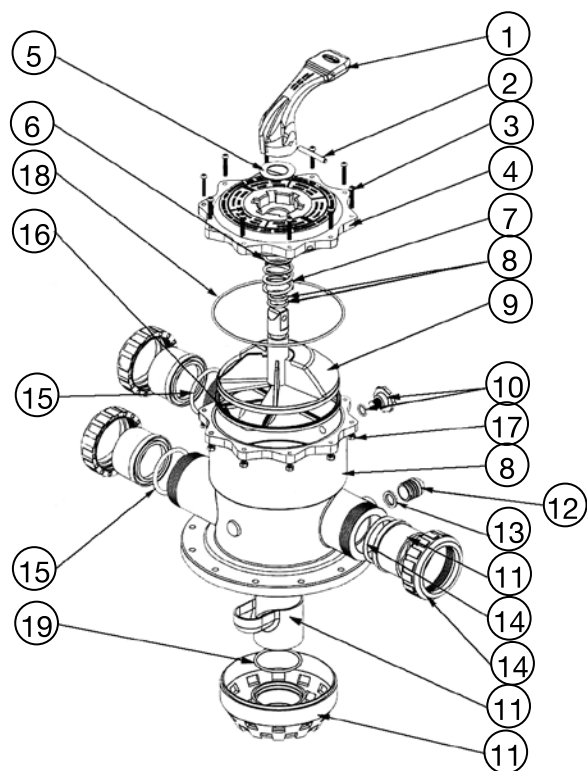
6 Way Multiport Valve 1 1/2" / 50mm

Part Number	Product Description	Diagram No.	LIST PRICE
6214672	1 1/2" 6 way Top Cover MK2 (English Only)	1	£49.60
621457	Axle o ring (2 required)	2	£4.70
6214520	Teflon ring MK3 WCO	3	£6.80
6214582	Rotor Glued With Gasket	4	£41.25
621456	Spring	5	£10.08
621454	Top cover gasket	6	£7.58
621441	TM Body Assembly (body, diff, adaptor, O ring)	7	£44.36
W02691	O Ring AS225	9	£7.00
621455	Valve Teflon Ring 1 1/2"	10	£5.04
621463	Sight glass	11	£14.45
621462	Sight glass gasket	12	£4.84
621111	Handle pin	13	£3.77
6214511	Handle Waterco	14	£24.46
620221	Air relief Valve Black	15	£4.65
122243B	1 1/2" Half union (3 required)	16	£5.18
122245B	50mm Half union (3 required)	16	£5.33
W02068	Top Cover O Ring	17	£8.81
W022567	Bolt M6 x 35mm	18	-



6 Way Multiport Valve 2" / 63mm

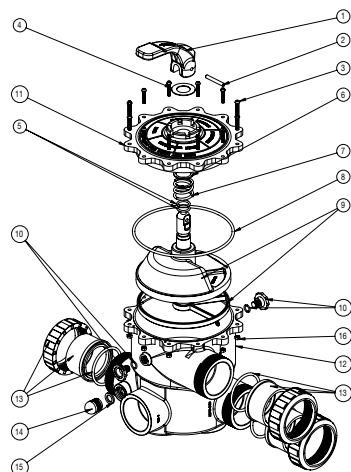
Part Number	Product Description	Diagram No.	LIST PRICE
621451	Handle	1	£24.46
621111	Handle Pin	2	£3.77
62137	Top Cover Bolts (Set of 10)	3	£4.20
6211303	Top cover	4	£56.58
W02627	Teflon Washer	5	£5.95
W02628	Teflon Spring Washer	6	£5.95
621181	Spring	7	£11.41
621201	Valve axle o ring (2 required)	8	£5.20
621231	Rotor	9	£55.14
620221	Air Release Valve & O Ring	10	£4.65
621302	Body - inc spider gasket (Top Mount)	11	£118.44
621381	Sight glass	12	£17.36
621341	Sight glass gasket	13	£5.66
634024	2" Half union	14	£8.23
63402400	63mm European metric half union	14	£8.23
W02280	2" union o ring	15	£2.74
621261	Spider gasket (black)	16	£57.27
62135	Top cover nuts (set of 10)	17	£6.06
621151	Top Cover O Ring	18	£12.90
621320	Centre Stem O Ring	19	£6.37
W02571	Valve plate tank gasket	n/s	£49.09
62132	Top Assembly Complete - 2"	1-9 & 18	£131.96



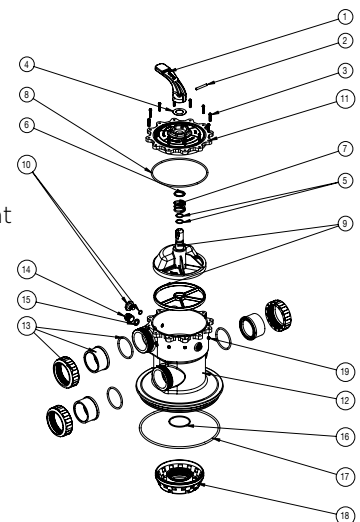
6 Way Multiport Valve 2 1/2" / 75mm

Part Number	Product Description	Diagram No.	LIST PRICE
2 1/2" (75mm) Waterco Valve Side Mount			
6214511	Handle	1	£24.46
621111	Handle Pin	2	£3.77
W12109	Bolt M6 x 32mm S/S 304	3	£4.19
W02627	Rotor Washer	4	£5.95
621201	Valve Axle O Ring	5	£5.19
W02628	Teflon Spring Washer (3 Required)	6	£5.95
621182	Spring	7	£11.41
621152	Lid O Ring	8	£25.81
621233	Rotor and Gasket	9	£128.61
620221	Air Release Valve (c/w O Ring) - Black	10	£4.65
620193	Air Release Valve O Ring - BS112	10	£2.68
6211302	Lid	11	£59.07
63406554	Half Union O Ring - BS338	13	£4.44
644492	2 1/2"/3" Half Union c/w O Ring	13	£14.13
644493	75mm/90mm Half Union c/w O Ring	13	£14.13
621381	Sight Glass	14	£17.36
621341	Sight Glass Gasket	15	£5.66
W02624	Lid Nut M6	16	£2.82
12780	3" Coupling	n/s	£11.06
127800	90mm Coupling	n/s	£9.47
6213021	MPV SM65mm Body	12	£112.45
2 1/2" (75mm) Waterco Valve Top Mount			
6214511	Handle	1	£24.47
621111	Handle Pin	2	£3.77
W12109	Screw M6 x 30mm	3	£4.19
W02627	Rotor Washer (2 Required)	4	£5.95
621201	Valve Axle O Ring (2 Required)	5	£5.19
W02628	Teflon Spring Washer	6	£5.95
621182	Spring	7	£11.41
621152	Lid O Ring	8	£25.81
621233	Rotor and Gasket	9	£128.61
620221	Air Release Valve (c/w O Ring) - Black	10	£4.65
6211302	Lid	11	£59.07
644492	2 1/2"/3" Half Union c/w O Ring	13	£14.13
644493	75mm/90mm Half Union c/w O Ring	13	£14.13
63406554	Half Union O Ring - BS338	13	£4.44
621381	Sight Glass	14	£17.36
621341	Sight Glass Gasket	15	£5.66
6340113	Centre Pipe O Ring	16	£4.52
62027	O Ring (Neck) - BS452	17	£23.82
12780	3" Coupling	n/s	£11.06
127800	90mm Coupling	n/s	£9.47
6213045	Diffuser	18	£9.83
W02624	Nut	19	£8.02
6213040	MPV Body	12	£112.45

75mm Side Mount

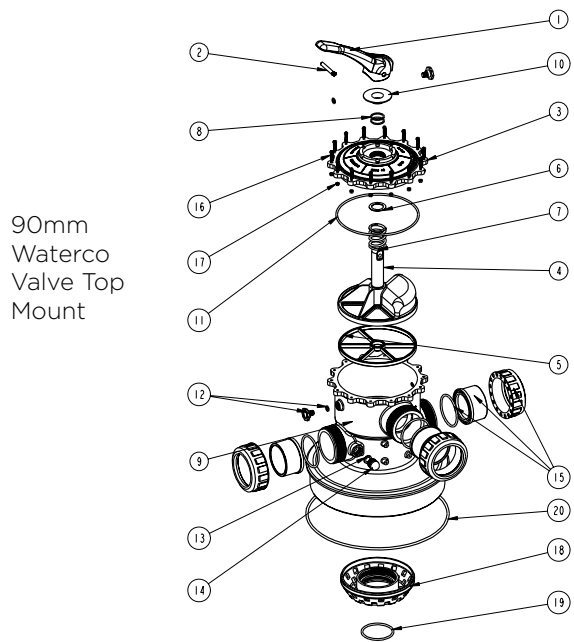
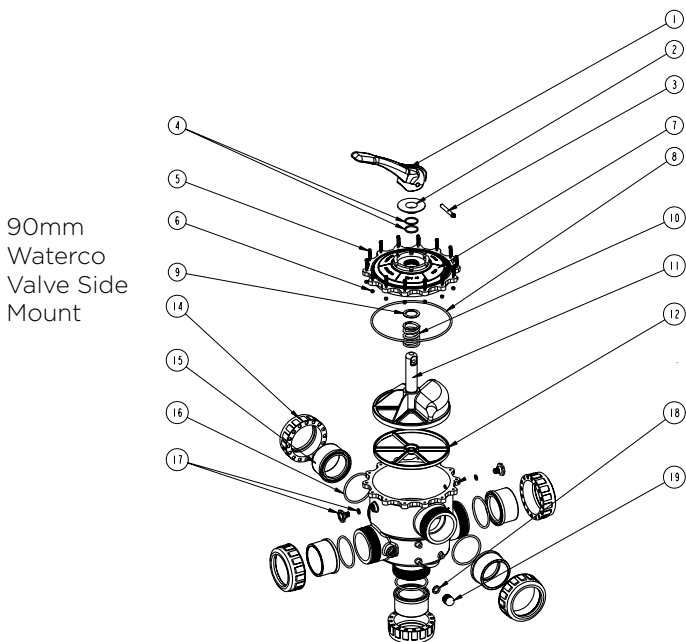


75mm Top Mount



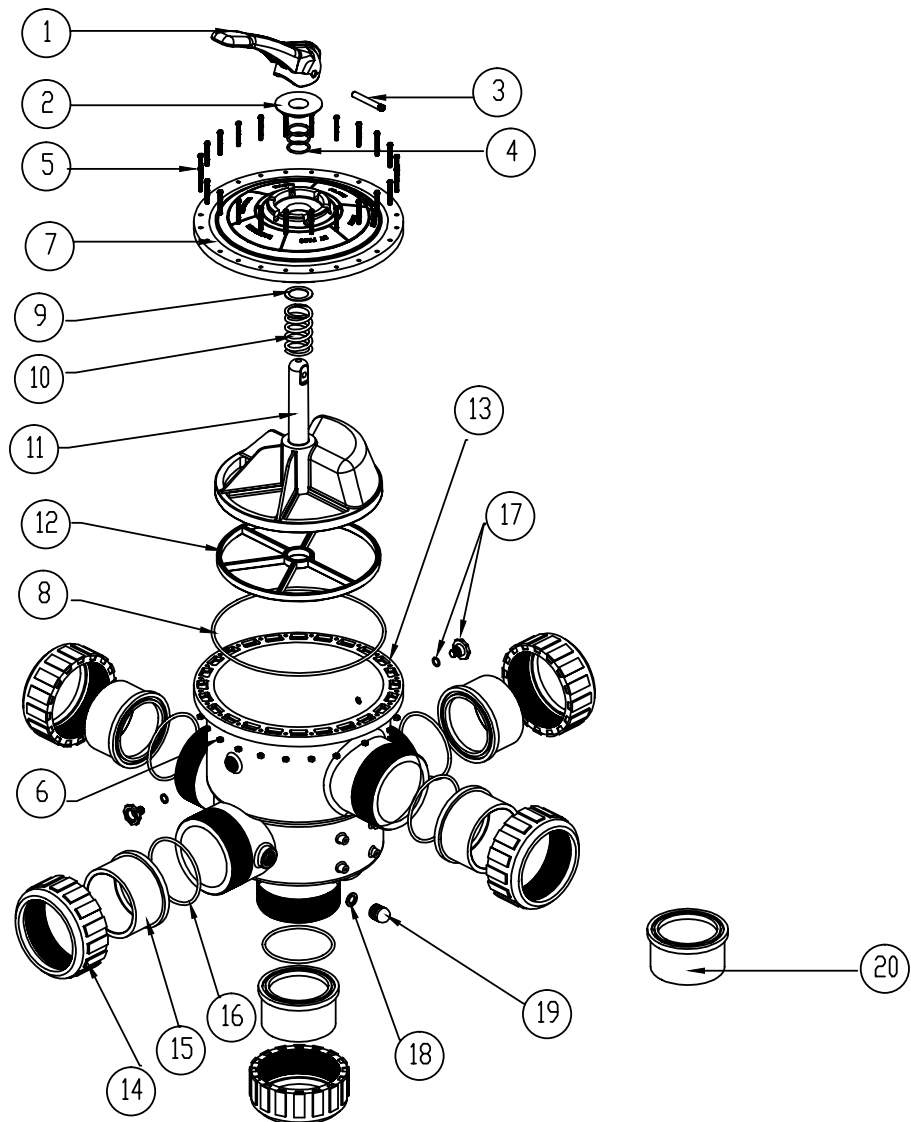
6 Way Multiport Valve 3" / 90mm

Part Number	Product Description	Diagram No.	LIST PRICE
3" Waterco Valve Side Mount			
621100	Handle	1	£58.81
621193	Sleeve	2	£4.79
6211020	Handle Pin	3	£12.69
621202	Axle O Ring (2 required)	4	£4.41
W12109	Bolt M6x32mm S/S 304	5	£4.19
W02624	Nut M6	6	£2.82
6211310	Lid Printed	7	£109.43
621142	Lid O Ring - G245	8	£37.62
6211060	Washer	9	£1.59
621192	Spring 3"	10	£62.33
621243	Rotor	11	£205.28
621272	Spider Gasket	12	£43.99
634080BLK	Half union with nut & o-ring 3" - Imperial	14-16	£31.39
634080EBLK	Half union with nut & o-ring 90mm - metric	14-16	£7.42
620221	Air Release Valve with O Ring	17	£4.65
621341	Sight Glass Gasket	18	£5.66
621381	Sight Glass	19	£17.36
6213021	MPV SM65mm Body	12	£112.45
3" Waterco Valve Top Mount			
621100	Handle	1	£58.81
6211020	Handle Pin	2	£12.69
6211310	Lid Printed	3	£109.43
621243	Rotor	4	£205.28
621272	Spider Gasket	5	£43.99
6211060	Washer	6	£1.59
621192	Spring 3"	7	£62.33
621202	Axle O Ring (2 required)	8	£4.41
621193	Sleeve	10	£4.79
621142	Lid O Ring	11	£37.62
620221	Air Release Valve with O Ring	12	£4.65
621341	Sight Glass Gasket	13	£5.66
621381	Sight Glass	14	£17.36
634080BLK	Half union with nut & o-ring 3" - imperial	15	£31.39
634080EBLK	Half union with nut & o-ring 90mm - metric	15	£23.97
W12109	M6 x 32mm	16	£4.19
W02624	Lid Nut M6	17	£2.82
621194	Centre Stem (Diffuser) O Ring - P90	19	£6.28
W12305	Neck Ring O Ring	20	£35.36
621292	MPV TM 80mm Body	9	£112.45
621013	Diffuser	18	£64.67



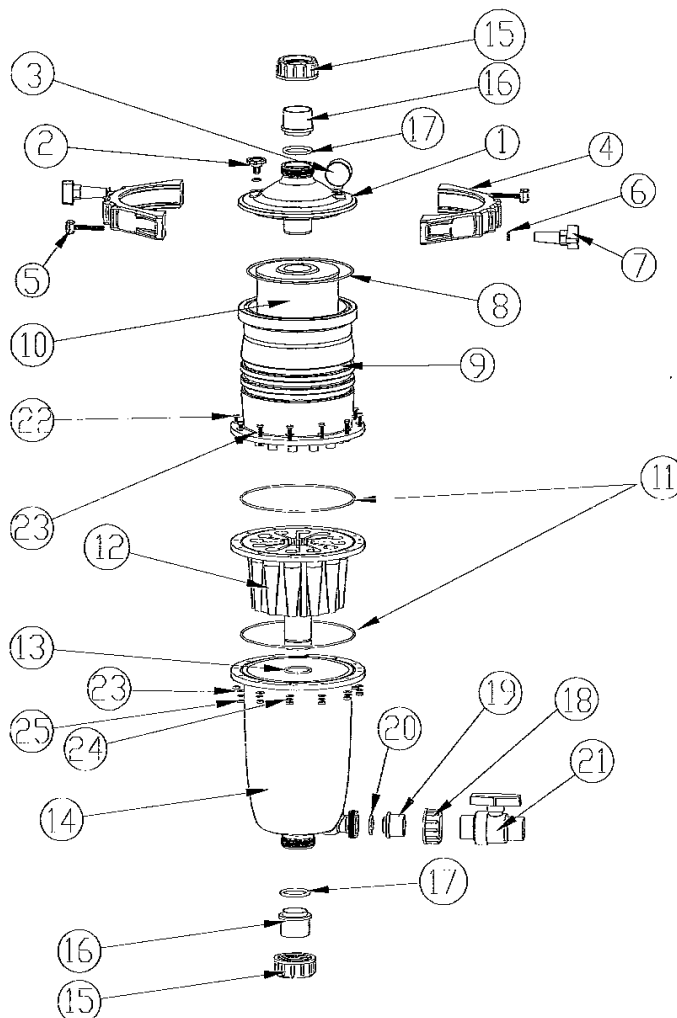
Multiport Valve 4" / 110mm

Part	Product Description	Diagram No.	LIST PRICE
621100	MPV Handle	1	£58.81
621193	MPV handle Sleeve	2	£4.79
6211020	MPV Handle Pin	3	£12.69
621202	Axel o-ring (2 required)	4	£4.41
W12781	Bolt M6 x 50mm Hex Head SS304	5	TBA
W02624	MPV 50mm Lid Nut M6 x 30 W	6	£2.82
6211028	MPV 110mm Lid Printed	7	£109.43
62110110	MPV 110mm Lid o-ring	8	£28.05
6211060	MPV Washer	9	£1.59
62110150	MPV 110mm Spring	10	£33.29
62110220	MPV 110mm Rotor	11	£226.81
62110130	MPV 110mm Spider Gasket	12	£29.61
6211029	MPV SM110mm Body	13	TBA
6340801	Half Union 110mm Black imperial size 4"		£66.23
12221009	B/U Lock Nut 110mm Blk	14	£30.25
12221011	B/U Plain End 110mm Blk	15	£26.60
W02553	O-Ring 110mm B/U Nitrile	16	£19.54
620221	Air Relief Valve (c/w o-ring) - black	17	£4.65
621341	MPV 50mm Sight Glass Gasket	18	£5.66
621381	MPV 50mm Sight Glass	19	£17.36
12221008	B/U P/End Slip / Slip 110 Metric Blk	15	£45.21



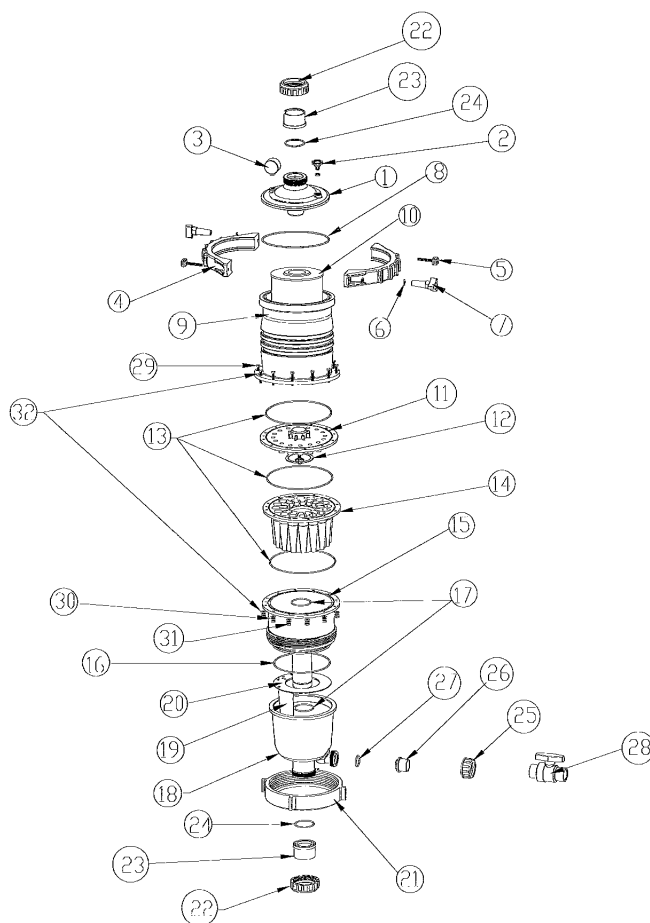
MultiCyclone 12 Plus / Ultra Cartridge Filter

Part Number	Product Description	Diagram No.	LIST PRICE
613140	Multicyclone Collector 40mm Clamp Type	1	£47.78
620221	Air Relief Tap	2	£4.65
621632	Pressure Gauge liquid 400kPa Bottom	3	£32.50
6220202	Clamp Band (Qty 2 required)	4	£38.01
622203	Screw Overmolded M8 x60 S/S A2 Hex Bolt (qty req. 2)	5	£36.98
W22280	Washer Flat M8 Brass (Qty req. 2)	6	£6.44
W02195TLJ	DE Knob w B/106 head (Qty req. 2)	7	£8.47
W12612	O' Ring 4 x 200	8	£15.00
61310	M/Cyclone Cartridge Housing MC12 (Plus)	9	TBC
61327	M/Cyclone Cartridge Housing MC12 (Ultra)	9	TBC
62451	M/Cyclone Plus Cartridge Element 40 sq ft (Plus)	10	£92.76
62453	M/Cyclone ultra Cartridge Element 75 sq ft (Ultra)	10	£116.96
61308	Body Ring 'O' Ring BS268 (Qty req. 2)	11	£6.68
61317	Multicyclone separator MC12 Plus/Ultra	12	£126.16
S061451	O' Ring ID 1.75" x 2" DD (BS224)	13	£14.58
61312	M/cyclone Sediment Bowl 40mm	14	£249.11
122243B	1.5" Half union (imperial)	15,16,17	£5.18
122245B	50mm Half union (metric)	15,16,17	£5.33
1222252	25mm/1" half union	18,19,20	£6.69
140252	Compact Ball Valve	21	£17.70
W12984	Bolt M6 x 45mm Hex Head SS304 (Qty req. 12)	22	£2.77
W12782	washer M6 flat SS304 (Qty req. 24)	23	£3.02
W12783	Washer M6 Spring SS304 (Qty req. 12)	24	£3.02
6340062	Nut Hex M6 S/S304 (Qty req. 12)	25	£0.41



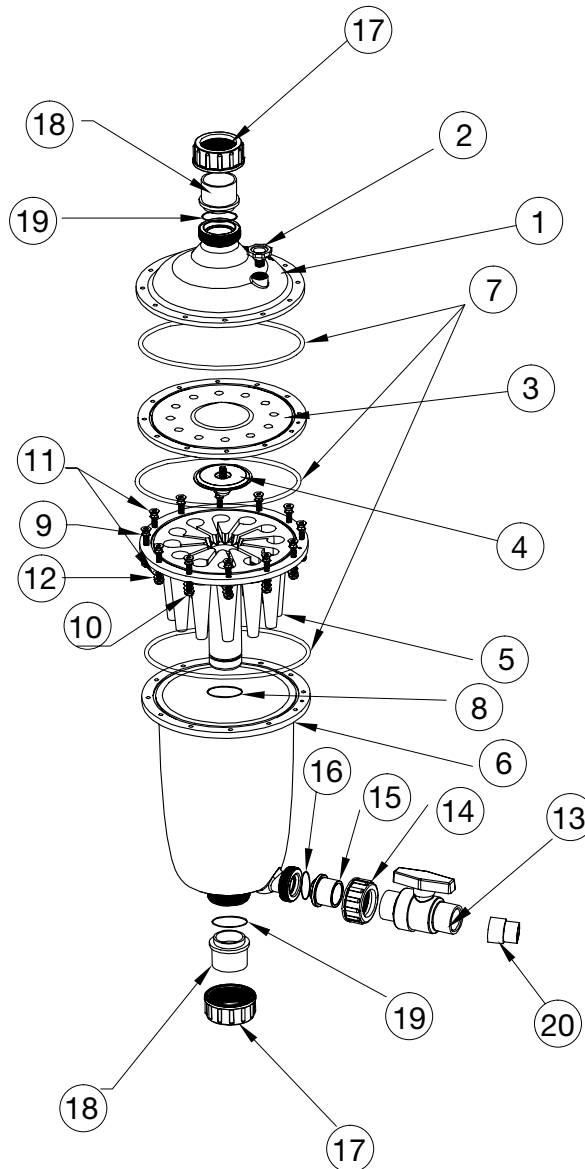
MultiCyclone 16 Plus / Ultra Cartridge Filter

Part Number	Product Description	Diagram No.	LIST PRICE
613150	Multicyclone Collector 50mm Clamp Type	1	£50.61
620221	Air Relief Tap	2	£4.65
W02703	Pressure Gauge Dry 400	3	£6.54
6220202	Clamp Band (Qty req. 2)	4	£38.01
622203	Screw Overmolded M8 x60 S/S A2 Hex Bolt (qty req. 2)	5	£36.98
W22280	Washer Flat M8 Brass (Qty req. 2)	6	£15.00
W02195TLJ	DE Knob w B/106 head (Qty req. 2)	7	£8.47
W12612	O' Ring 4 x 200	8	£4.65
61311	M/Cyclone Cartridge Housing MC16 Plus	9	£186.66
61326	M/Cyclone Cartridge Housing MC16 Ultra	9	£186.68
62451	M/Cyclone Cartridge Element 40 sq ft MC16 Plus	10	£92.76
62453	M/Cyclone ultra Cartridge Element 75 sq ft MC16 Ultra	10	£116.96
W22281	MC Manifold plate	11	TBC
W12972	MC16 flow director	12	£29.04
61308	Body Ring 'O' Ring BS268 (Qty req. 3)	13	£29.04
61303	M/Cyclone Separator	14	£6.69
61300	M/Cyclone Se MC16 Body (grey)	15	£109.82
61307	O ring BS263	16	£5.21
W02469	O ring main drain AS228	17	£3.02
61302	M/cyclone Sediment Bowl	18	£175.39
61305	MC partition	19	£8.86
61306	MC baffle ring	20	£12.85
62024BLK	Lockring - black	21	£25.10
6340245	2" Half union connection (imperial)	22,23,24	£8.23
63402400	63mm Half union connection (metric)	22,23,24	£8.23
1222252	1"/25mm Half union connection	25,26,27	£6.69
140252	Compact Ball Valve	28	£17.70
W12984	Bolt M6 x 45mm Hex Head SS304 (Qty req. 12)	29	£2.77
W12783	Washer M6 Spring SS304 (Qty req. 12)	30	£3.02
6340062	Nut Hex M6 (Qty req. 12)	31	£0.00
W12782	washer M6 Falt SS304 (Qty req. 24)	32	£0.41



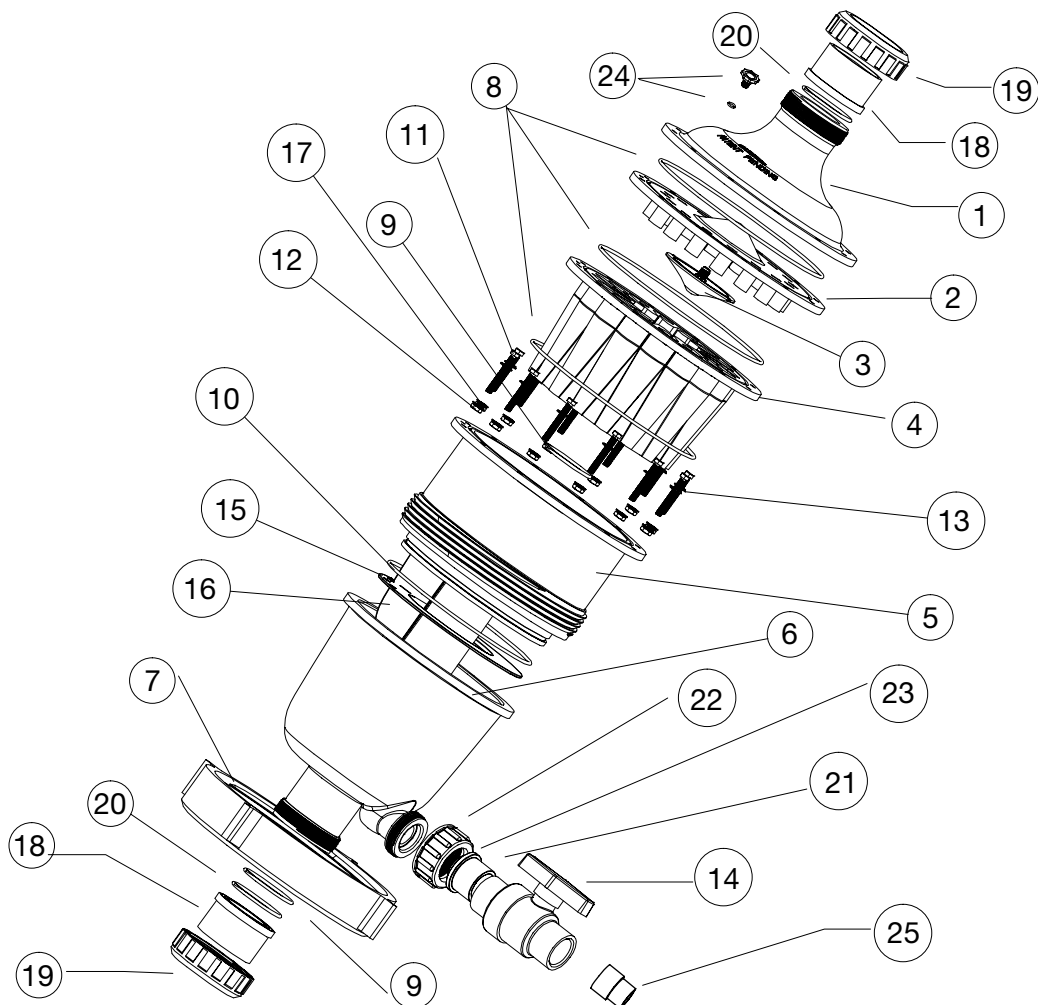
MultiCyclone 12 Centrifugal

Part Number	Product Description	Diagram No.	LIST PRICE
613130	Multicyclone Collector 40mm Blank	1	£40.92
620221	Air Relief Value New Style Blk	2	£4.65
W22282	Multicyclone Manifold Plate 12 Cyclone 40mm	3	£13.24
W22283	Multicyclone Flow Director 40mm	4	£7.32
61317	MultiCyclone Body 40mm 12 Cyclone	5	£126.16
61312	MultiCyclone Sediment Bowl 40mm	6	£249.00
61308	Body 'O' Ring BS268 3 per filter	7	£6.68
S0614511	Body 'O' Ring BS224	8	£14.58
W12781	Bolt M6 x 50mm Hex Head SS304 12 per filter	9	£3.07
6340062	Nut Hex M6 Brass Nickle Plated 12 per filter	10	£1.61
W12782	Washer M6 Flat SS304 24 per filter	11	£3.02
W12783	Washer M6 Spring SS304 12 per filter	12	£3.02
140252	Compact Ball Valve 25mm Black	13	£17.70
1222256	B/U Lock Nut 25mm Black	14	£4.68
1222253	B/U P/End Slip/Slip 25mm Black	15	£1.99
644790	O Ring BS218	16	£0.85
W02209BLK	B/U Locking Nut 50mm/1.5" Black	17	£2.10
W02210BLK	B/U P/End Slip/Slip 1.5" imperial Black	18	£2.10
64449B	B/U P/End Slip/Slip 50mm Metric Black	18	£2.10
W02213	O Ring 50mm B/U EPDM	19	£3.56
622432	Adaptor 1" to 32mm Metric	20	£5.64



MultiCyclone 16 Centrifugal

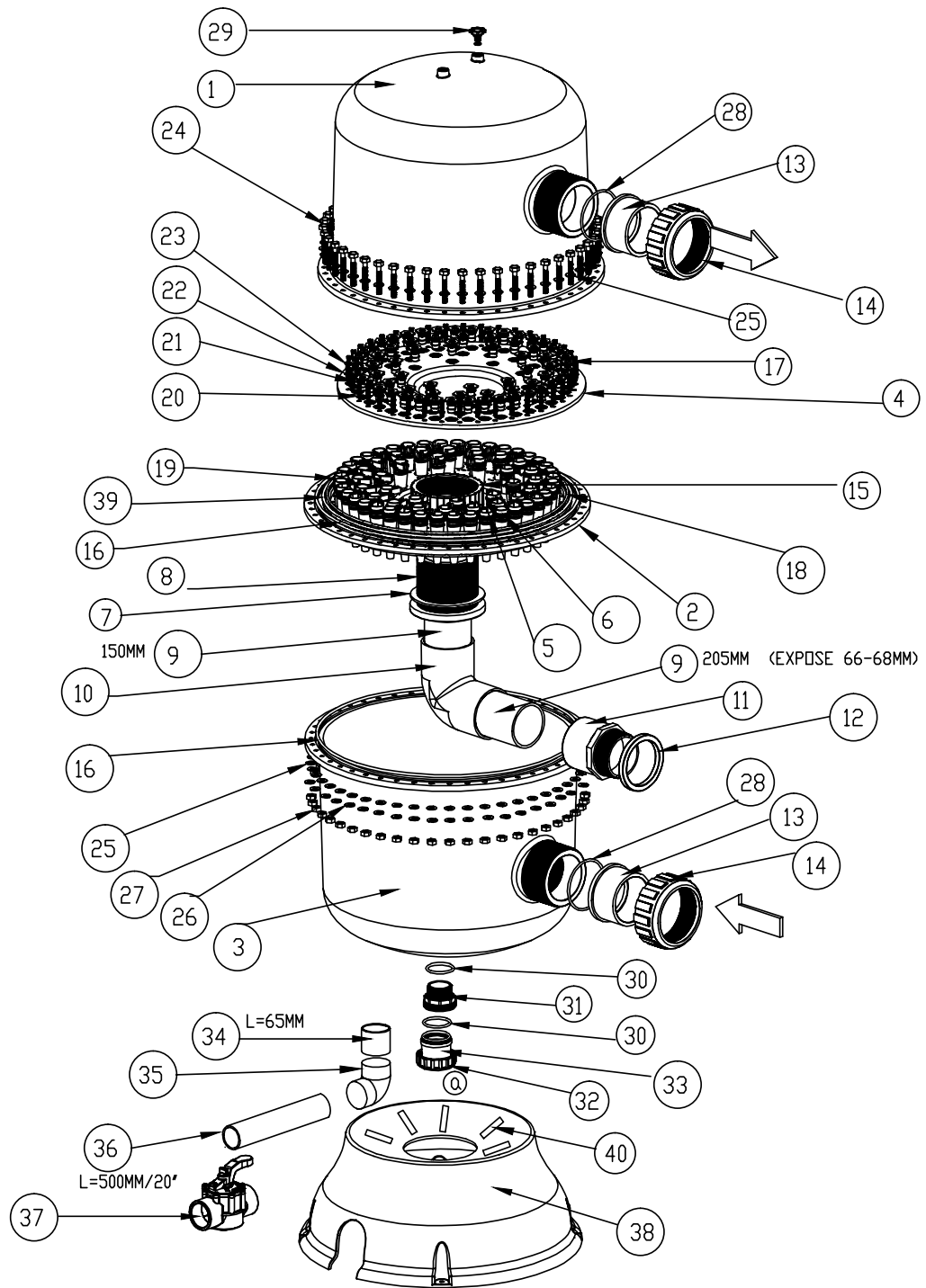
Part Number	Product Description	Diagram No.	LIST PRICE
613010	Multicyclone Collector Blank	1	£40.92
61304	Multicyclone Manifold Plate Assembly	2 & 3	£13.24
W12971	Multicyclone Manifold Plate	2	£13.24
W12972	Multicyclone Flow Director	3	£29.04
61303	MultiCyclone Separator	4	£57.84
61300	Multicyclone Body	5	£109.82
61302	Multicyclone Sediment Bowl	6	£175.39
62024BLK	TCF Lock Ring Black	7	£25.10
61308	O Ring BS268 3 per filter	8	£6.69
W02469	O Ring AS228 2 per filter	9	£3.02
61307	O Ring BS263	10	£5.21
W12984	Bolt M6 x 45mm Hex Head SS304 12 per filter	11	£2.77
6340062	Nut Hex M6 Brass Nickle Plated 12 per filter	12	£0.53
W12782	Washer M6 Flat SS304 24 per filter	13	£3.02
140252	Compact Ball Valve 25mm Black	14	£17.70
61306	Multicyclone Baffle Ring	15	£12.85
61305	Multicyclone Partition	16	£8.87
W12783	Washer M6 Spring SS304 12 per filter	17	£3.02
W02081BLK	B/U P/End Slip/Slip 2" imperial Black	18	£1.58
6340244B	B/U P/End Slip/Slip 63mm Metric Black	18	£11.16
W02647BLK	T/L Lock Nut 2"/63mm New Black	19	£10.17
W02280	O Ring 2"/63mm B/U	20	£2.74
1222253	B/U Plain End Slip/Slip 25mm Black	21	£1.99
1222256	B/U Lock Nut 25mm Black	22	£4.68
644790	O Ring BS218	23	£0.85
620221	Air Relief Valve New Style Black	24	£4.65
622432	O-Adaptor 1" to 32mm Metric Ring BS218	25	£5.64



Multicyclone 70 XL Commercial

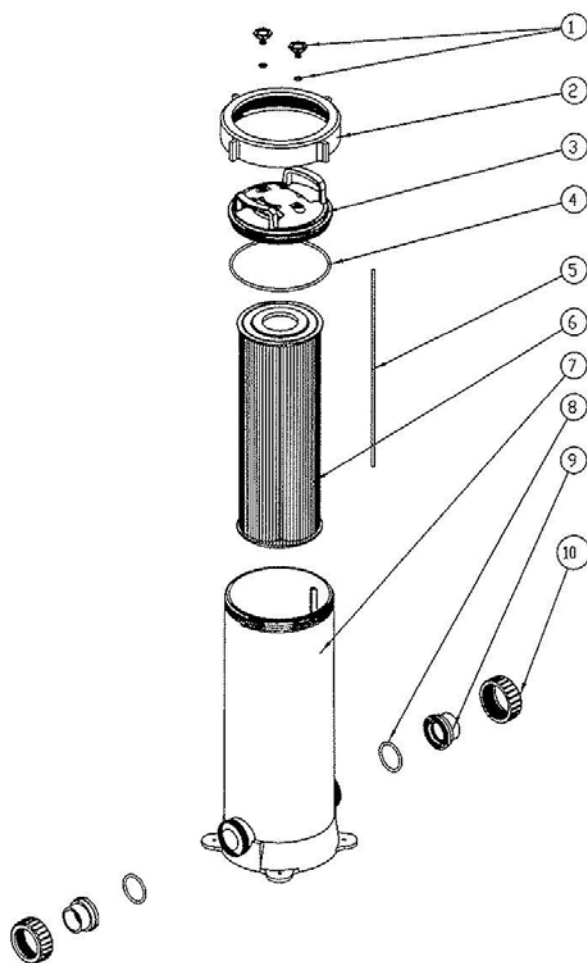
Part	Product Description	Diagram No.	LIST PRICE
W22729	Top Shell Multicyclone 4" Grey	1	£1,991.34
W22732	Cyclone Plate Multicyclone 4" Grey	2	TBA
W22730	Bottom Shell Multicyclone 4" Grey	3	TBA
W22503	Manifold Plate Multicyclone 4"	4	TBA
W22505	Cone Cyclone Standard LH	5	TBA
W22504	Cone Cyclone Standard RH	6	TBA
W02539	Gasket 100mm Bulkhead	7	TBA
W22648	Bulkhead Body 100mm 4" L= 93mm	8	TBA
W02138	Pipe 100mm x 6M Grey	9	TBA
W34026	Elbow 100mm Black BS	10	TBA
W22543	Male Valve Socket 4" (JIS)	11	TBA
W22544	Rubber Washer 4" Cyclone	12	TBA
12221011	Barrel Union Plain End 4" imperial Black	13	£26.60
12221008	Barrel union plain end 110mm - metric	13	TBA
12221006	Locking Nut 100mm 4" Multicyclone	14	£3.47
12221006	Bulkhead Lock Nut 100mm Black	15	TBA
W44059	O-Ring Jointed Dia 9 4" Multicyclone L= 2020mm	16	TBA
W22508	Spigot Multicyclone 4"	17	TBA
W22629	O-Ring BS392	18	TBA
W22627	O-Ring 27* 2.0	19	TBA
W22628	O-Ring BS009	20	TBA
W22626	O-Ring 20* 2.0	21	TBA
W12782	Washer M6 Flat SS304	22	£3.02
W22654	Hexagon Bolt M6 35 SS304	23	TBA
W22750	Screw Hex M10 x 110mm SS304	24	TBA
W22651	Washer M10 COD=30 Thickness 2.5 SS304	25	TBA
W22414	Spring Washer M10 SS304	26	TBA
W32488	Nut Hex Long M10 x 45mm Brass Ni/Plated	27	TBA
W02553	O-Ring 110mm B/U Nitrile	28	£19.54
620221	Air Relief Valve New Style Blk	29	£4.65
W02280	O-Ring 63mm B/U Nitrile	30	£2.74
W02154BLK	B/U Threaded End Thrd/Thrd 63mm Black	31	TBA
W02647BLK	T/L Lock Nut 63mm New Black	32	TBA
W02081BLK	B/U P/End Slip / Slip 63mm Black	33	TBA
W02118	Pipe 63mm x 6M White	34	TBA
W22660	Elbow 90Deg 63mm Clear PVC	35	TBA
W22624	Pipe Clear PVC 63mm 3 Meter (SCH40)	36	TBA
14856	Waterco 63/75mm 2 Way Valve	37	£41.11
W22509	Base Multicyclone 4"	38	TBA
W44058	O-Ring Jointed 4" Multicyclone L=1900mm	39	TBA
W01285	Butyl Tape 6 x 17mm x 10m	40	TBA

Multicyclone 70 XL Commercial



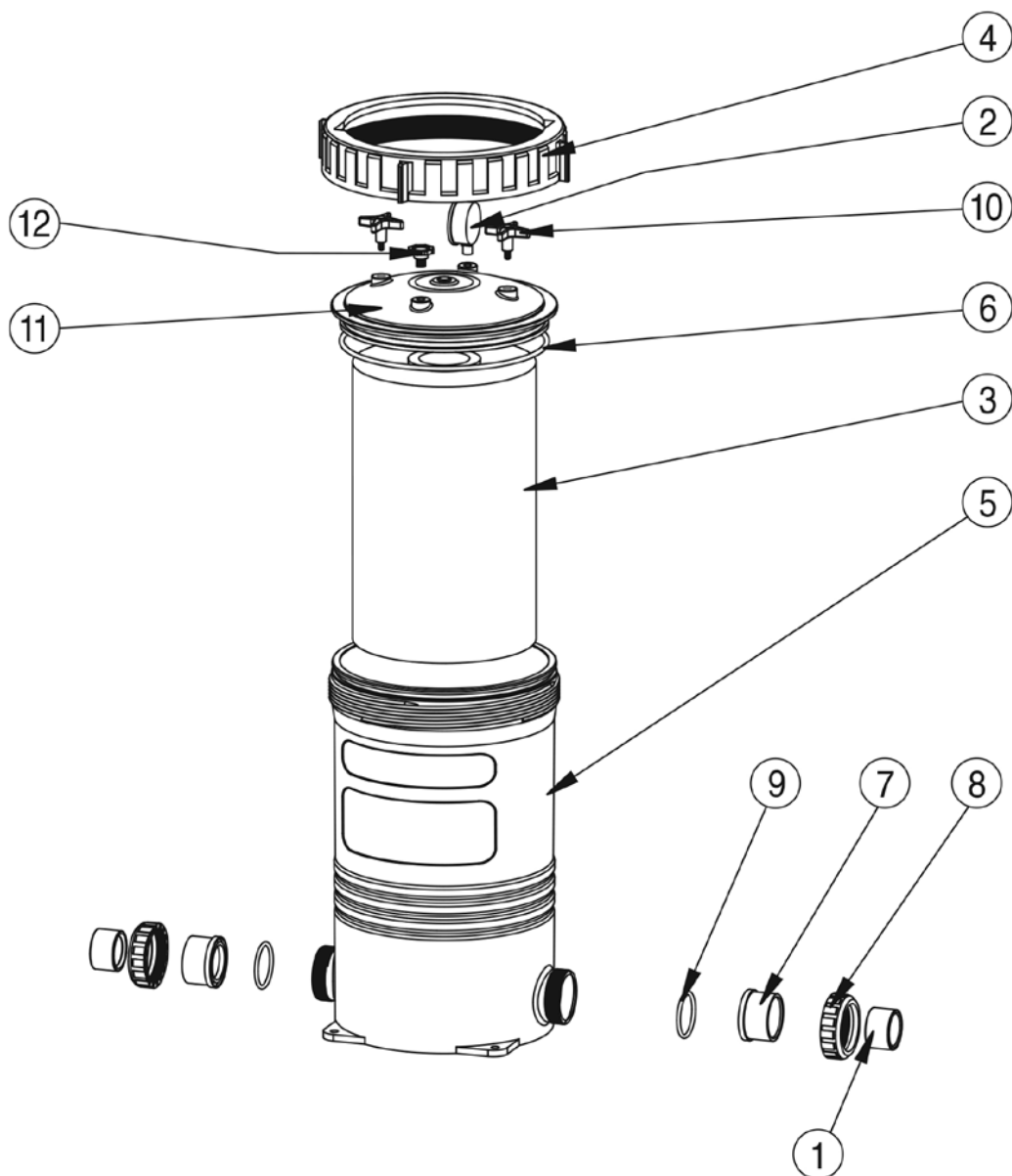
Trimline Cartridge Filters

Part Number	Product Description	Diagram No.	LIST PRICE
620221	Air release valve MK2	1	£4.65
62024BLK	Lock ring Mk3 (5 threads)	2	£25.10
62025 - 0501	Lid c/w o ring MK3 - Pewter colour 6 Bar	3	£51.07
62026	Lid o ring MK3	4	£12.00
W02547	Air bleed C25	5	£2.15
W02548	Air bleed CC50	5	£2.48
W02549	Air Bleed CC50/CC75	5	£2.99
W02550	Air bleed C75/CC100	5	£4.65
62040	Cartridge C25	6	£78.11
62042	Cartridge C50	6	£110.28
62044	Cartridge C75	6	£146.53
62048	Cartridge CC50	6	£110.29
62049	Cartridge CC75	6	£143.87
62050	Cartridge CC100	6	£187.02
W02703	Pressure gauge back mount	n/s	£7.62
621630	Pressure gauge side mount	n/s	£28.24
62021	Lid O Ring MK2	3	£12.00
W02541PEW	Body C25	7	£127.06
W02542PEW	Body CC50	7	£146.44
W02543PEW	Body C50/CC75	7	£170.99
W02544PEW	Body C75/CC100	7	£275.05
122256BLK	2" x 50mm Half union	8+9+10	£7.21
122257BLK	1 1/2" / 2" Half union	8+9+10	£8.57
W02280	Union o ring 1 1/2" / 2" MK2	8	£2.74
6340246BLK	2" x 50mm Tail end	9	£2.52
W2648BLK	1 1/2" x 2" tail end	9	£3.26
W02647BLK	Lock nut	10	£3.05



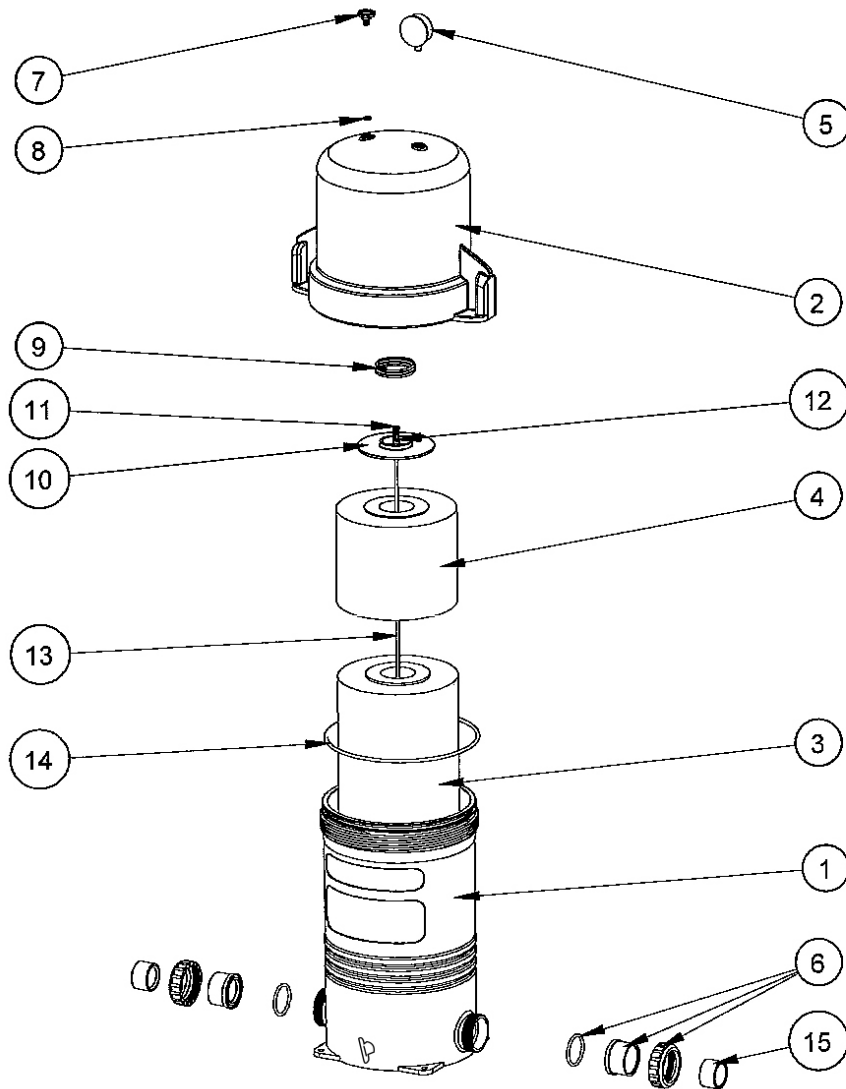
Opal Cartridge Filters

Part Number	Product Description	Diagram No.	LIST PRICE
12555BLK	Reducing bush 50 x 40mm Black	1	£3.37
621632	Liquid Filled Pressure Gauge Bottom Mount 400kPa	2	£32.50
701033	Filter cartridge 120 sqft	3	TBA
701039	Filter cartridge 135 sqft	3	£196.75
701034	Filter cartridge 150 sqft	3	£247.00
701038	Filter cartridge 180 sqft	3	£234.14
AXFI0100	Opal tank lock ring	4	£119.83
AXFI0120	Opal pewter tank only 3.5 bar	5	TBA
620271	ORING OPAL LID (P280 279.5 X 8.4)	6	£13.44
AXFI014	Opal black union tail	7	£3.65
AXFI016	Opal black lock ring	8	£7.21
AXFI018	Opal union o'ring	9	£2.58
AXFI168	Opal handle (2 per filter)	10	£7.00
AXFI0082	Opal lid only (5mm smaller in diameter than AXFI081)	11	TBA
620221	Air relief valve	12	£4.65



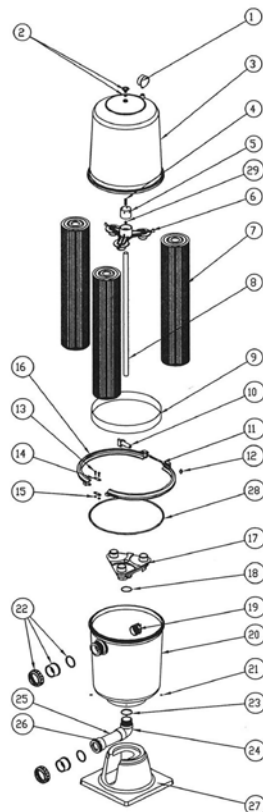
OPAL XL

Part Number	Product Description	Diagram No.	LIST PRICE
AXFI0121	Opal Tank PP Pewter	1	£186.55
AXFI0087	Opal Top Housing 270	2	£182.60
AXFI0085	Opal top housing 225	2	£143.79
701038	Cartridge Element 180 sq.ft.	3	£234.14
701041	Cartridge Element 90 sq.ft.	4	£99.13
701040	Cartridge Element 225sq.ft.	3	£314.49
621632	Pressure Gauge	5	£32.50
AXFI014	Opal Union Tail Black 2" imperial	6	£3.64
AXFI015	Opal union tail black 63mm metric	6	£3.56
AXFI016	Opal Cartridge Union Lock Ring Black	6	£7.39
AXFI018	O Ring Union Opal Cartridge	6	£2.58
620221	Air Release Valve (with o-ring)	7+8	£4.65
AXFI0089	Spring	9	£4.14
8223502	Top Adaptor	10	£8.86
W02289	Air relief Screen	11	£4.92
85251	Gulfstream Plug	12	£0.89
W22205	Air bleed for 225sq. ft	13	£0.26
W22206	Air bleed opal 760 (270sq.ft.)	13	£0.26
620272	'O' Ring BS 454	14	£23.82
12555BLK	Reducing Bush 63mm/50mm	15	£3.37
61216	Opal element joiner (for 270sq.ft. only)	N/S	£7.78



Fulflo Tri-Cartridge Filter

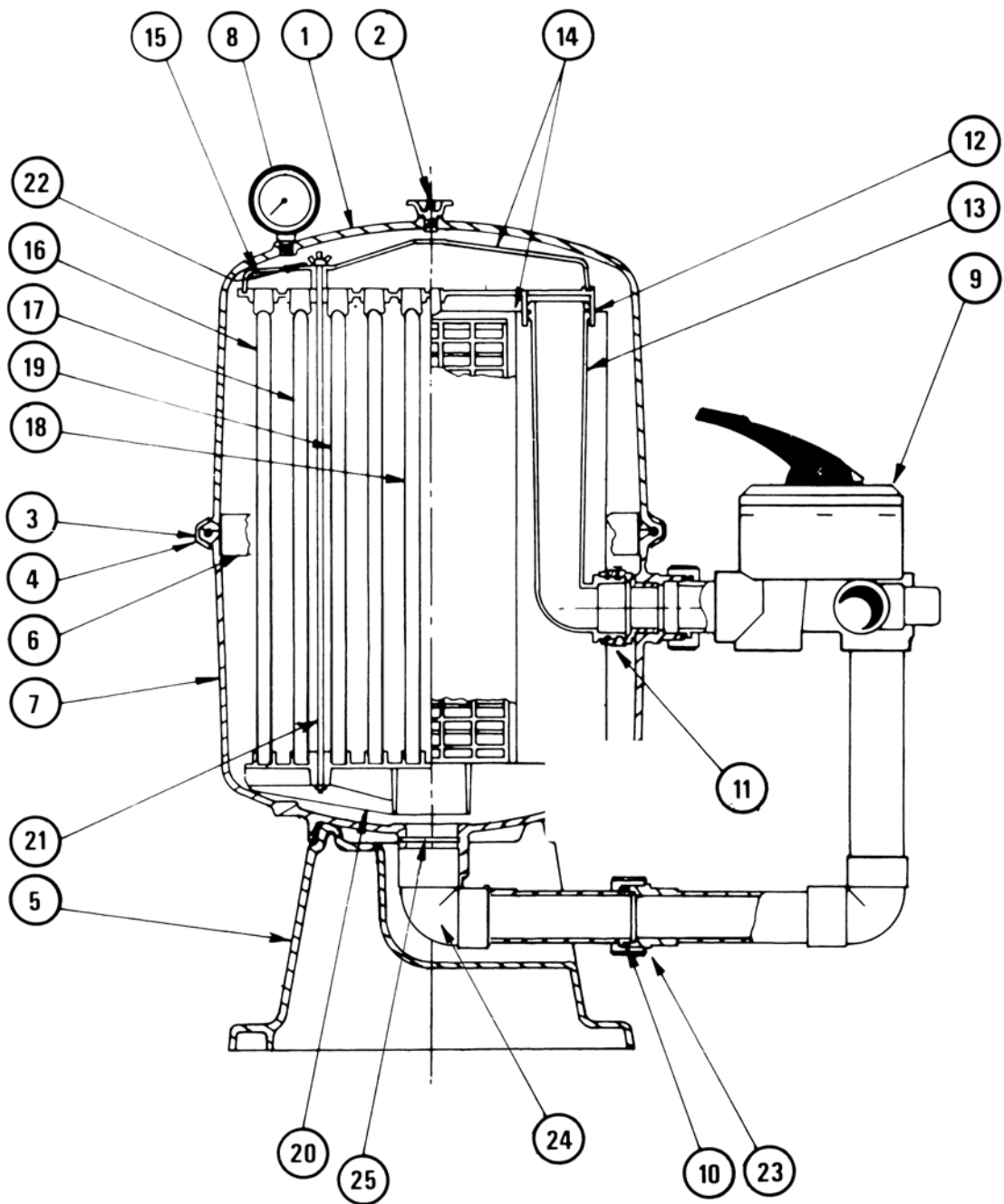
Part Number	Product Description	Diagram No.	LIST PRICE
W02703	Pressure gauge	1	£6.54
620221	Air Release Valve	2	£4.65
62233PEW	Tank Top Ultra High Dome	3	£231.60
W02289	Air Relief Tube Screen	4	£4.92
TBC	2" PVC Pipe	5	TBC
6220701	Adaptor M/Fold Tri-Cartridge	6	£55.47
622810	Cartridge Element For TC300 (Qty 3 Needed)	7	£172.19
622820	Cartridge Element For TC400 (Qty 3 Needed)	7	£210.91
622830	Cartridge Element For TC500 (Qty 3 Needed)	7	£227.38
TBC	20mm PVC Pipe	8	TBC
W01057	S/S Inner Band 40	9	£54.87
W02195TLJ	DE Knob w.0.6" head dia. brass insert	10	£8.47
W02201	M8 x 100 S/S Stud	11	£1.13
W02202	Brass Lug	12	£1.13
827000	Screw 1/4 x 1" Hex	13	£1.13
822528	Connecting Link	14	£1.13
829227	Nut 1/4" Nylock	15	£1.13
822526Blk	Clamp Band Half - 2 req. per filter	16	£22.04
6220700	Manifold Tri Cartridge	17	£26.39
6220702	O Ring	18	£4.61
62268	Inlet Baffle 50mm	19	£9.81
822343PEW	Tank Body Ultra Bottom	20	£131.79
W02641	Screw	21	£8.42
634024Blk	Half Union with O Ring 2" imperial	22	£7.99
W02083Blk	Union Lock Nut -2"/63mm	22	£2.90
W02081Blk	Union Plain End 2" imperial	22	£1.57
6340244B	Union Plain end 63mm	23	£11.16
W02280	O Ring 2"/63mm	22	£2.74
W02690	O Ring	23	£13.24
822345Blk	F/Fld Bim Elbow 63mm	24	£11.91
TBC	2" PVC Pipe	25	TBC
W02087Blk	B/Union Threaded End	26	£2.25
62228	PP Supportor Base	27	£72.14
62250	Tank Body O Ring	28	£29.46
85251	Gulfstream Plug	29	£0.89



Astra Fulflo D.E. Filter

Part Number	Product Description	Diagram No.	LIST PRICE
62231PEW	Tank top low dome - P2016	1	£118.58
62232PEW	Tank top high dome (grey) P2027,31	1	£208.31
62233PEW	Tank top ultra high dome P2036,2048	1	£231.60
620221	Air release Valve c/w O Ring	2	£4.65
62202	P2145 clamp ring assy (c/w knob, bolt, lug)	3	£189.23
622203	P2153 Nally tank clamp knob, bolt, lug	3	£36.98
62250	P9109 Tank body O Ring	4	£29.46
W01057	P2517 Inner band For P2027 / P2036 / P2048	6	£4.65
8223152	Tank Body Bottom (P2027, P2036)	7	£203.73
822343PEW	Tank body ultra bottom (P2048)	7	£254.00
621632	Pressure Gauge Side Mount	8	£32.50
W02213	Union O ring (post 3/98)	10	£3.56
W02280	Union O ring 50mm P2027 - 48 (BS332)	10	£2.74
62248	Union adapter assy	11	£25.60
822346	90 Deg elbow union - P2016,27,31	13	£23.97
62206	P2124 90° elbow union assy P2036,48	13	£31.02
62208	P2176 Complete septum - 2016	14	£475.78
62209	P2146 Complete septum - P2027,31	14	£475.78
62210	P2157 Complete septum - P2036	14	£536.78
62211	P2206 Complete septum - P2048	14	£666.56
62207	P2126 Manifold assy	15	£55.47
62212	P2177 - 150 filter grid - P2016	16	£49.09
62213	P2179 - 250 filter grid - P2016	17	£52.09
62214	P2181 - 250 offset filter grid - P2016	18	£52.09
62215	P2183 - 310 Filter grid - P2016	19	£57.30
62216	P2147 - 150 filter grid - P2027,31 - 450 long 2 per filter	16	£67.49
62217	P2148 - 250 filter grid - P2027,31 - 450 Long 2 per filter	17	£81.09
62218	P2149 - 250 offset filter grid - P2027, 31 - 450 Long 2 per filter	18	£81.09
62219	P2150 - 310 filter grid - P2027,31 - 450 long 4 per filter	19	£90.13
62220	P2158 - 150 filter grid - P2036 - 630 long 2 per filter	16	£68.64
62221	P2160 - 250 filter grid - P2036 - 630 long 2 per filter	17	£82.21
62222	P2162 - 250 offset filter grid - P2036 - 630 long 2 per filter	18	£82.21
62223	P2164 - 310 filter grid - P2036 - 630 long 4 per filter	19	£94.05
62224	P2210 - 150 filter grid - P2048 - 810 long 2 per filter	16	£106.73
62225	P2214 - 250 filter grid - P2048 - 810 long 2 per filter	17	£144.11
62226	P2211 - 250 offset filter grid - P2048 - 810 long 2 per filter	18	£144.11
62227	P2213 - 310 filter grid - P2048 - 810 long 4 per filter	19	£151.30
W02198	P2337 Clamp Plate	20	£67.83
62237	P2547 Tie rod - P2016	21	£21.70
62238	P2521 Tie rod - P2027,31	21	£26.22
62239	P2538 Tie rod - P2036	21	£28.43
62240	P2545 Tie rod - P2048	21	£31.53
122243B	Half Barrel Union 1 1/2" (post 03/98)	23	£5.18
122245B	Half Barrel Union 50mm Metric (Pre 03/98)	23	£5.33
634024BLK	Half Barrel Union 50mm 2027- 48 (Post 03/98)	23	£7.99
634024EURO	Half Barrel Union 63mm Metric	23	£7.99
823318	90 degree elbow threaded 1 1/2" (Pre 03/98)	24	£8.63
822345BLK	90 degree elbow threaded 2" (Post 03/98)	24	£6.69
823319	90 degree elbow O Ring (Pre 03/98)	25	£3.23
622290	P2014/16 KIT top and bottom & clamp & inner band & knob		£387.74
622291	P2027/31 KIT top & bottom & clamp & inner band & knob		£414.97
622292	P2036 KIT top & bottom & clamp & inner band & knob		£464.99
622301	P2048 KIT top & bottom & clamp & inner band & knob		£515.00
2390495EU	P2027/P2031 M.P.V.-1 1/2" c/w plumbing kit	9	£124.69
23905832EU	P2036 M.P.V.- 2" c/w plumbing kit	9	£182.24
23905932EU	P2048 M.P.V - 2" c/w plumbing kit	9	£187.02

Astra Fulflo D.E. Filter



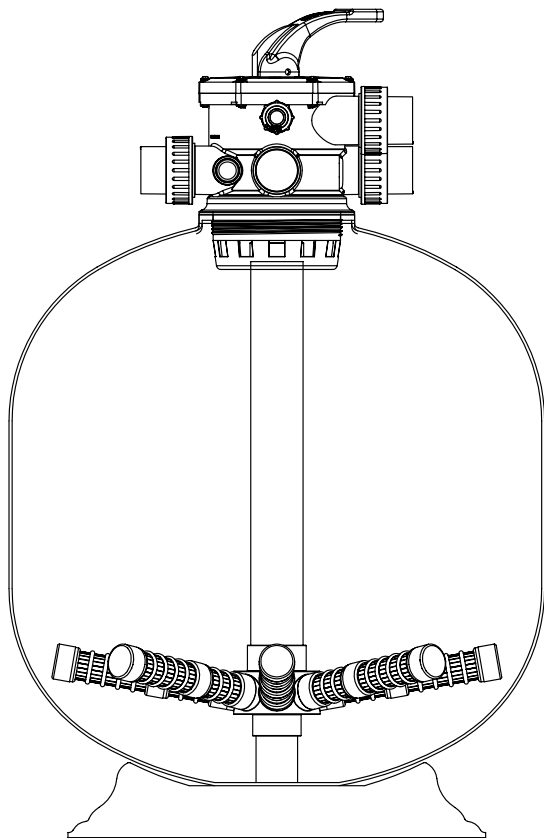
TANK PORT SIZE	MODEL	CODE	CONNECTION	
		MPV C/W Plumbing Kit	TANK	MPV
1.5" (50mm)	P2027	2390495 / 2390495EU	Top - Male	Top - Female
2" (63mm)	P2036	23905832 / 2390583EU		
2" (63mm)	P2048	23905932 / 2390593EU	Bottom - Male	Bottom - Female

Waterco Top Mount Sand Filters

Part Number	Product Description	Diagram No.	LIST PRICE
Micron / Exotuf Thermoplastic Common Parts			
W02115PP	Manifold threaded 1½"		£33.01
W02116PP	Manifold threaded 2"		£61.98
W02111PP	Lateral threaded 75mm		£2.93
W02112PP	Lateral threaded 110mm		£3.39
W02113PP	Lateral threaded 145mm		£3.57
W02114PP	Lateral threaded 200mm		£5.80
W02117PP	Lateral threaded cap female		£1.98
W02158PP	Lateral threaded plug male		£3.07
W02026BLK	Drain plug assembly (15mm)		£16.31
WO4058BLK	Drain plug assembly (1½"/50mm)		£81.86
W02068	Valve Neck O Ring (suits 1½" MPV)		£11.39
W02571	Micron Valve Gasket (2")		£49.08
62102-HBG	Micron S/S Dome Nut & Washer (set of 12)		£44.06
122243B	1½" Half Union (Black) c/w O Ring		£5.18
122245B	50mm European metric Half Union (Black) c/w O Ring		£5.33
W02213	1½" Union O Ring		£3.56
634024BLK	2" Half Union (Black) c/w O Ring		£7.99
63402400	63mm European metric Half Union (Black) c/w O Ring		£8.23
W02280	2" Union O Ring		£2.74
6340803	3" Half Union (Black) c/w O Ring		£31.40
634080EBLK	90mm European metric Half Union (Black) c/w O Ring		£23.97
W02249	3" Half Union O Ring		£7.42
Pressure Gauges			
62109	Pressure Gauge Back Mount Air Filled 60psi / 400kPa		£28.24
W02703	Pressure Gauge Side Mount Air Filled 400kPa		£7.62
621621	Pressure Gauge 110mm - 600 kPa		£189.24
621630	Pressure Gauge Back Mount (Oil Filled) 400 kPa (SD series)		£34.44
621632	Pressure Gauge Side Mount (Oil Filled) 400 kPa (SD series)		£32.50
621612	Pressure Gauge (air filled) Bottom mount- (35PSI/2.5Bar)		£21.73

Waterco Top Mount Sand Filters

Part No:		WO2115	WO2116	WO2111PP	WO2112PP	WO2113PP	WO2114PP	WO2117PP	6209226	6209227
Model		Manifold 40mm	Manifold 50mm	Lateral 75mm	Lateral 110mm	Lateral 145mm	Lateral 200mm	Lateral End Cap Nut	Extension Arm Assy Short	Extension Arm Assy Long
S500	Eco	1		8	4			16		4
S600	Eco	1		16	4			16		4
S602	Eco		1	16	4			16		4
S700	Eco	1		16			4	16	4	
S702	Eco		1	16			4	16	4	
S750	Eco		1	8	12	4		16	4	
S800	Eco		1	8	12	4		16	4	
S900	Eco		1	4	8	12		16	4	
E600 Plus. SM	Eco	1		12		4		16	4	
E602 Plus. SM	Eco		1	12		4		16	4	
E702 Plus. SM	Eco		1	12			4	16		4
E600 Plus. TM	Eco	1		12		4		16	4	
E602 Plus. TM	Eco		1	12		4		16	4	
E702 Plus. TM	Eco		1	12			4	16		4
Model		Manifold 40mm	Manifold 50mm	Lateral 75mm	Lateral 110mm	Lateral 145mm	Lateral 200mm	Lateral End Cap Nut		
T400 / E400	Std	1		8				8		
T450 / E450	Std	1			8			8		
T500 / E500	Std	1			8			8		
T600 / E600	Std	1				8		8		
S500	Std	1			8			8		
S600	Std	1				8		8		
S700	Std	1					8	8		
S702	Std		1				8	8		
S750	Std		1	8		8		8		
S800	Std		1	8		8		8		
S900	Std		1			16		8		

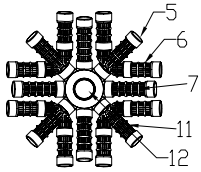


CLAMP BAND THERMOPLASTIC FILTER

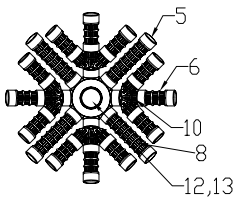
Exotuf Plus Side Mount

Part Number	Product Description	Diagram No.	LIST PRICE
2290422	MPV SM 1 1/2" Male & Female BSP with 50mm Metric	1	£142.31
2290512EURO	MPV SM 2" SF Int / Thred 63mm Metric	2	£197.36
6220208	Clamp Band 8" MKII	3i	£76.03
622203	Screw Overmolded M8X60 S/S A2 Hex Bolt	3ii	£36.97
W22280	Washer Flat M8 Brass (8.4 x 18 x 1.5mm)	3iii	£6.44
W02195TLJ	DE Knob W0.6" Head Dia Brass Insert	3iv	£6.45
62092911	Filter Clear Lid 8" Clamp Type	4	£48.59
W02117PP	Lateral Cap Nut PP	5	£1.98
W02111PP	Lateral Waterco 75mm PP	6	£2.93
W02112PP	Lateral Waterco 110mm PP	7	£3.39
W02113PP	Lateral Waterco 145mm PP	8	£3.57
W02114PP	Lateral Waterco 200mm PP	9	£5.80
6209226	Lateral Extension Arm Assembly Short	10	£13.66
6209227	Lateral Extension Arm Assembly Long	11	£15.93
W02115PP	Manifold Waterco 40mm for E500+ / E600+	12	£33.01
W02116PP	Manifold Waterco 50mm for E602+ / E702+	13	£61.98
121558	Threaded Sweep Elbow Kit 40mm / 1 1/2" for E500+ / E600+	14	£21.74
121559	Threaded Sweep Elbow Kit 50mm / 2" for E602+ / E702+	15	£28.48
121340	Elbow 90 Deg 40mm for E500+ / E600+ / E602+ / E702	16/17	£5.40
621632	PR gauge Liq 400kPa Bottom Mount	18	£32.50
W22316	O-Ring 180 x 4.5mm NBR Black Shore 70 for E500+ / E600+	19	£8.37
W22479	O-Ring 198 x 4.5mm NBR Black Shore 70 for E602+ / E702+	20	£8.37
W02066	Funnel For Side Mount Filters	21	£11.23
W02289	Air Relief Tube Screen	22	£4.92
85251	Gulfstream Plug	23	£0.89
W02550	T/L Moulded Air Bleed 740mm C75	24	£3.44

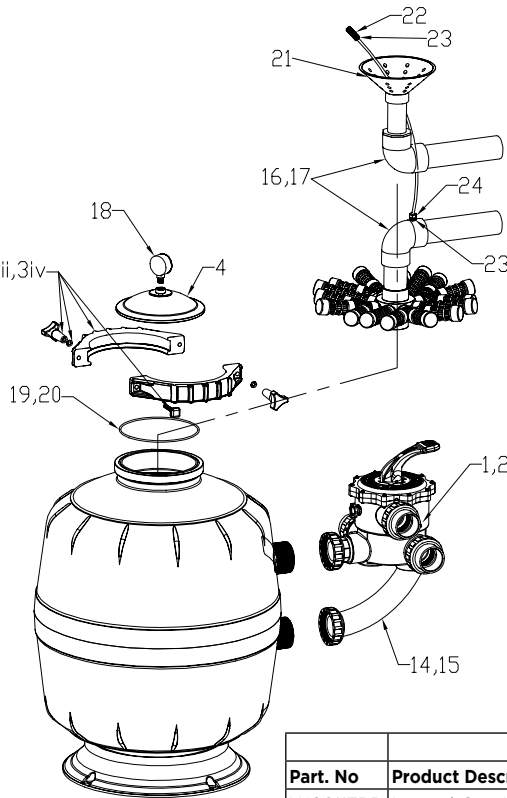
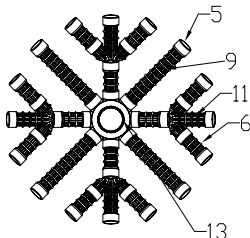
LATERAL CONFIGURATION FOR E500+



LATERAL CONFIGURATION FOR E600+ / 602+



LATERAL CONFIGURATION FOR E702+

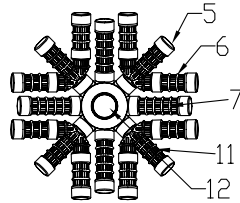


Part. No	Product Description	Qty			
		E500+	E600+	E602+	E702+
W02117PP	Lateral Cap Nut PP	16	16	16	16
W02111PP	Lateral Waterco 75 PP	8	12	12	12
W02112PP	Lateral Waterco 110mm PP	4			
W02113PP	Lateral Waterco 145mm PP		4	4	
W02114PP	Lateral Waterco 200mm PP				4
6209226	Lateral Extension Arm Assembly Short		4	4	
6209227	Lateral Extension Arm Assembly Long	4			4
W02115	Manifold Waterco 40mm	1	1		
W02116	Manifold Waterco 50mm			1	1

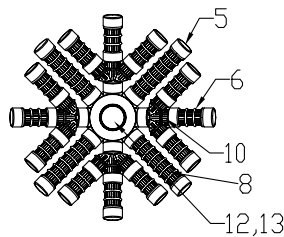
Exotuf Plus Top Mount

Part Number	Product Description	Diagram No.	LIST PRICE
2280445EUM	MPV TM 50 Metric Clamp Ext Thread x BU MK2 WCO	1	£195.02
228058EUM	MPV TM 63 Metric Clamp Type MK2 WCO	2	£183.19
6220208	Clamp Band 8" MKII for E602+ / E702+	3i	£76.03
622203	Screw Overmoulded M8X60 s/s A2 Hex Bolt for E602+ / E702+	3ii	£36.97
W22280	Washer Flat M8 Brass (8.4 x 18 x 1.5mm) for E602+ / E702+	3iii	£6.44
W02195TLJ	DE Knob W0.6" Head Dia. Brass Insert for E602+ / E702+	3iv	£6.45
62259	Clamp Band 6" MKII for E500+ / E600+	4i	£36.43
621373	Bolt M6 x 55mm P/Head S/SS M/C for E500+ / E600+	4ii	£3.61
W12783	Washes M6 Spring SS304 for E500+ / E600+	4iii	£3.02
W22322	Square Nut M6 x 10mm x 1/2 SS304 for E500+ / E600+	4iv	£7.00
W02117PP	Lateral Cap Nut PP	5	£1.98
W02111PP	Lateral Waterco 75mm PP	6	£2.93
W02112PP	Lateral Waterco 110mm PP	7	£3.39
W02113PP	Lateral Waterco 145mm PP	8	£3.57
W02114PP	Lateral Waterco 200mm PP	9	£5.80
6209226	Lateral Extension Arm Assembly Short	10	£13.66
6209227	Lateral Extension Arm Assembly Long	11	£15.93
W02115PP	Manifold Waterco 40mm	12	£33.01
W02116PP	Manifold Waterco 50mm	13	£61.98
W22316	O-Ring 180 x 4.5mm NBR Black Shore 70	14	£8.37
W22479	O-Ring 198 x 4.5mm NBR Black Shore 70	15	£8.37

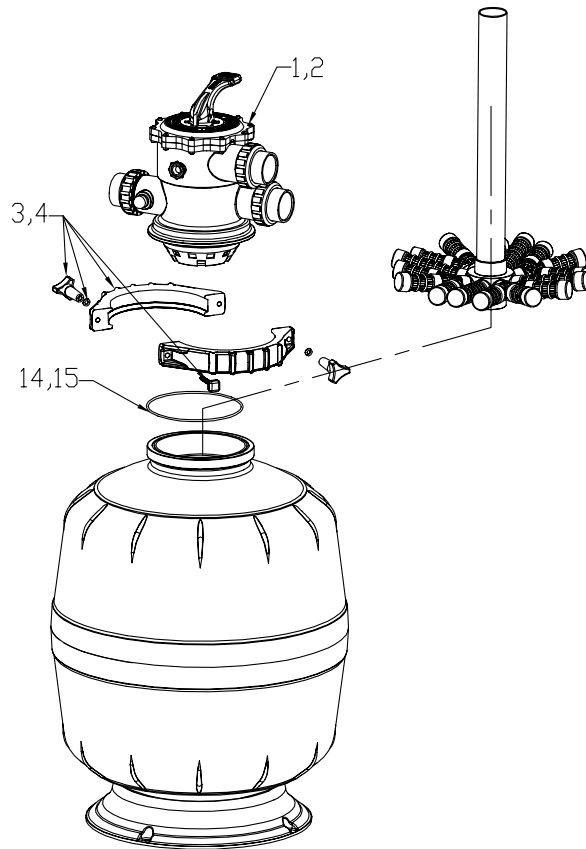
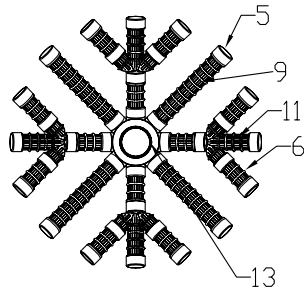
LATERAL CONFIGURATION FOR E500+



LATERAL CONFIGURATION FOR E600+ / 602+



LATERAL CONFIGURATION FOR E702+



Part. No	Product Description	Qty			
		E500+	E600+	E602+	E702+
W02117PP	Lateral Cap Nut PP	16	16	16	16
W02111PP	Lateral Waterco 75 PP	8	12	12	12
W02112PP	Lateral Waterco 110mm PP	4			
W02113PP	Lateral Waterco 145mm PP		4	4	
W02114PP	Lateral Waterco 200mm PP				4
6209226	Lateral Extension Arm Assembly Short		4	4	
6209227	Lateral Extension Arm Assembly Long	4			4
W02115PP	Manifold Waterco 40mm	1	1		
W02116PP	Manifold Waterco 50mm			1	1

Micron Side Mount Sand Filters

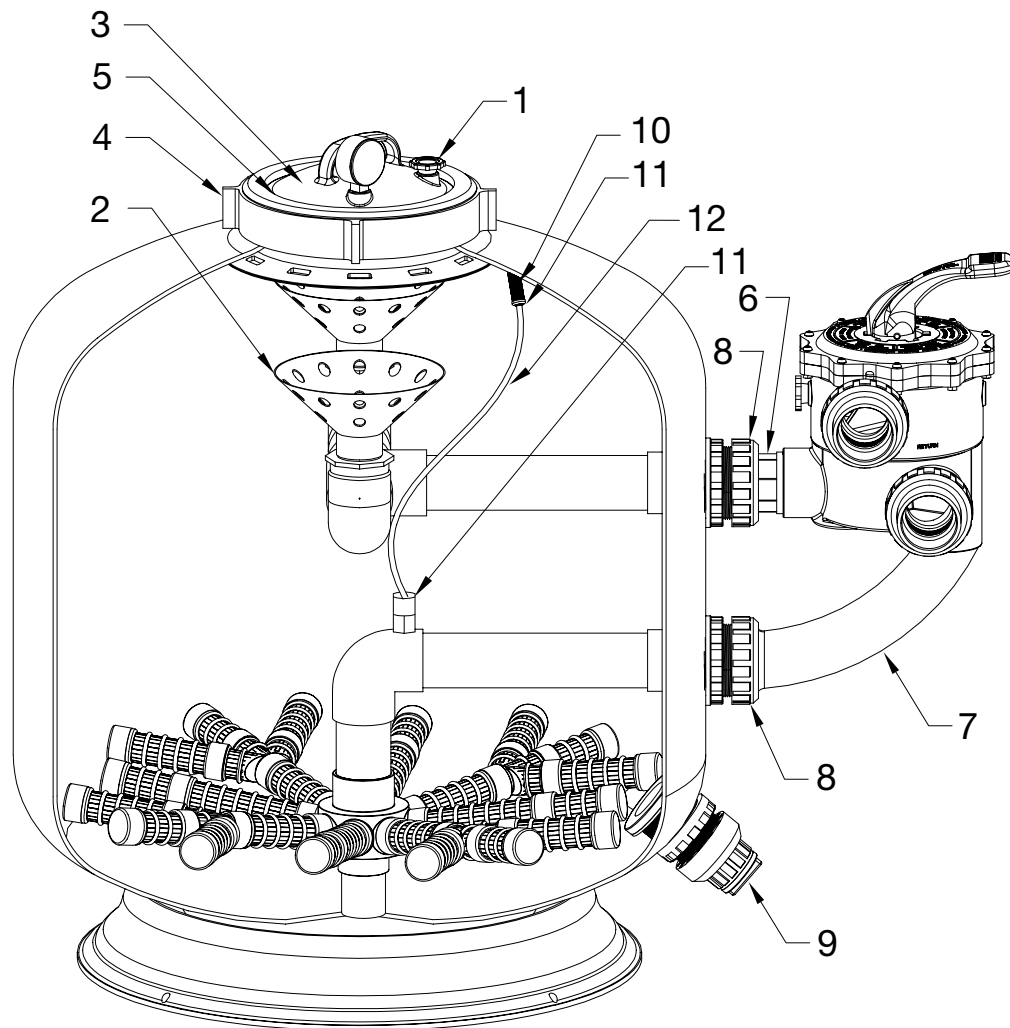
Part Number	Product Description	Diagram No.	LIST PRICE
620221	Air release valve	1	£4.65
W02066	S/M Water Diffuser (Funnel)	2	£11.23
6209291	SM 8" Lid	3	£39.88
62024BLK	Lock Ring for 8" Lid	4	£25.10
62026	SM Top Lid O ring 8"	5	£12.00
W12720	Manhole Cover (Suit SM1050 and up)	n/s	£1,497.91
W02536	S/M Manhole O Ring (SM1050 and up)	n/s	£8.07
121551	Threaded Fitting 1 1/2" for Sweep Elbow	6	£2.01
121556	Threaded Fitting 2" for Sweep Elbow	6	£2.43
121550	Threaded Sweep Elbow 1 1/2"	7	£3.87
121555	Threaded Sweep Elbow 2"	7	£5.03
63032/W02209BLK	Barrel Union Nut 1 1/2"	8	£2.09
W02213	Barrel Union O Ring 1 1/2"	n/s	£3.56
W02083BLK	Barrel Union Nut 2"	8	£2.90
W02280	Barrel Union O Ring 2"	n/s	£2.74
121558	Threaded Sweep Elbow Kit 1 1/2"	6,7,8	£23.89
121559	Threaded Sweep Elbow Kit 2"	6,7,8	£28.48
W02026BLK	Drain Plug (up to & including SM900 with 2" Ports)	9	£16.31
W04058BLK	Drain Plug (SM900 with 3" Ports & SM1050 and up)	9	£81.86
W02568	2" Bulk Head	n/s	£26.59
W02252B	3" Bulk Head	n/s	£47.54
6209430	S/M top lid clamp type	n/s	£110.18
620269	S/M top lid o ring (clamp type)	n/s	£18.73
620943	S/M top lid clamp & knob only	n/s	£271.32
2290422	SM600 MPV 1 1/2" Suit Sweep Elbow with European 50mm metric tail piece		£142.31
2290430	SM600 MPV 1 1/2" c/w Plumbing with European 50mm metric tail piece		£253.33
2290512EURO	SM750/900 MPV 2" Suit Sweep Elbow with European 63mm metric tail piece		£197.36
229051230	SM750/900 MPV 2" c/w Plumbing with European 63mm metric tail piece		£135.57
W02289	Air Relief Tube Screen	10	£4.92
85251	Gulfstream Plug	11	£0.89
W02549	Air Bleed Tube 500mm for SM500 / 600	12	£2.99
W02550	Air Bleed Tube 740mm for SM750 / 900	12	£3.44

Micron/Thermoplastic Common Parts

W02115PP	Manifold threaded 1 1/2"		£33.01
W02116PP	Manifold threaded 2"		£61.98
W02111PP	Lateral threaded 75mm		£2.93
W02112PP	Lateral threaded 110mm		£3.39
W02113PP	Lateral threaded 145mm		£3.57
W02114PP	Lateral threaded 200mm		£5.80
W02117PP	Lateral threaded cap female		£1.98
W02158PP	Lateral threaded plug male		£3.07
W02026BLK	Drain plug assembly (15mm)		£16.31
W04058BLK	Drain plug assembly (1 1/2"/50mm)		£81.86
W02068	Valve Neck O Ring (suits 1 1/2" MPV)		£11.39
W02571	Micron Valve Gasket (2")		£49.08
62102-HBG	Micron S/S Dome Nut & Washer (set of 12)		£44.06
122243B	1 1/2" Half Union (Black) c/w O Ring		£5.18
122245B	50mm European metric Half Union (Black) c/w O Ring		£5.33
W02213	1 1/2" Union O Ring		£3.56
634024BLK	2" Half Union (Black) c/w O Ring		£7.99
63402400	63mm European metric Half Union (Black) c/w O Ring		£8.23
W02280	2" Union O Ring		£2.74
6340803	3" Half Union (Black) c/w O Ring		£31.40
634080EBLK	90mm European metric Half Union (Black) c/w O Ring		£23.97
W02249	3" Half Union O Ring		£7.42

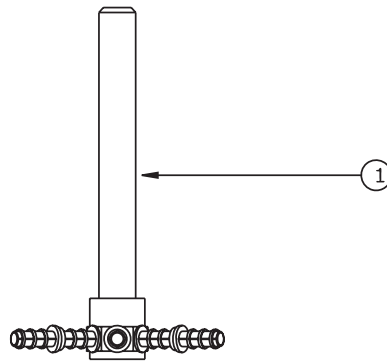
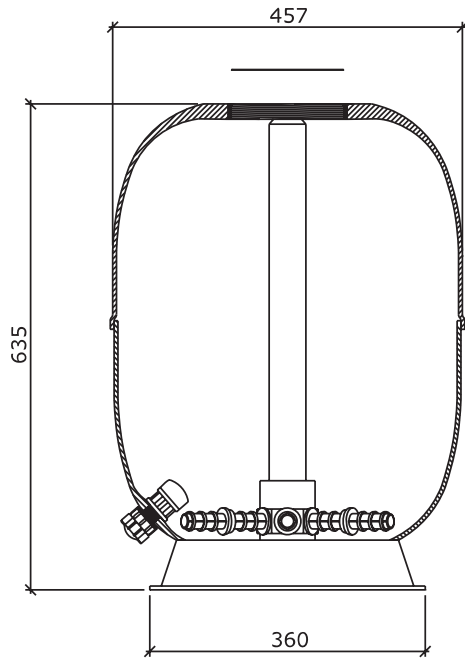
Micron Side Mount Sand Filters

Part No:		W02115	W02116	W02111PP	W02112PP	W02113PP	W02114PP	W02117PP	W02158PP	W02155	W02156	W02157
Model		Manifold 40mm	Manifold 50mm	Lateral 75mm	Lateral 110mm	Lateral 145mm	Lateral 200mm	Lateral End Cap Nut	Lateral Cap Nut (Male)	HRZ Cross Tee	HRZ LCT Exrension 48	HRZ LCT Exention 48 End Cap
SM500	Std	1				8		8				
SM600 40mm port	Std	1		8	8			8				
SM600 50mm port	Std		1	8	8			8				
SM700	Std		1				8	8				
SM750	Std		1	8		8		8				
SM800	Std		1		8	8		8				
SM900	Std		1	8			8	8				
SM900 80mm port	Std			4	22	4	2	36	4	2	8	4
Part No:		W02115	W02116	W02111PP	W02112PP	W02113PP	W02114PP	W02117PP	6209226	6209227		
Model		Manifold 40mm	Manifold 50mm	Lateral 75mm	Lateral 110mm	Lateral 145mm	Lateral 200mm	Lateral End Cap Nut	Extension Arm Assy Short	Extension Arm Assy Long		
SM500	Eco	1		12		4		16	4			
SM600 40mm port	Eco	1		16	4			16		4		
SM600 50mm port	Eco											
SM700	Eco	1		8	4		4	16		4		
SM750	Eco		1	8	12	4		16	4			
SM800	Eco		1		20	4		16	4			
SM900	Eco		1	8		12	4	16	4			
SM900 80mm port	Eco											

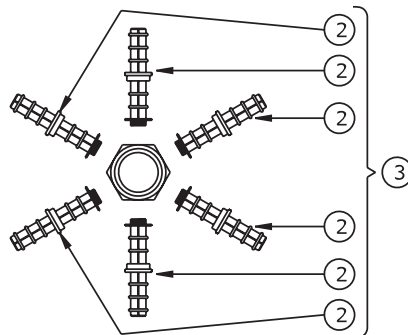
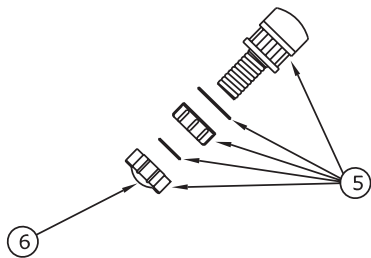


Lacron TMV-18

Part Number	Product Description	Diagram No.	LIST PRICE
1366A (W12246)	18" Top Mount Internals (less candles)	1	£40.20
6007 (W02985)	120mm Lateral (candle) (6)	2	£10.61
1393 (W12247)	18" Lateral (candle) Set	3	£56.05
1314 (W02068)	Top Mount Valve O Ring	4	£11.39
6001 (W02026BLK)	Drain Plug Complete	5	£16.31
W02522C	Drain Plug Cap	6	£6.81
621320	Centre Stem O Ring	n/s	£6.37



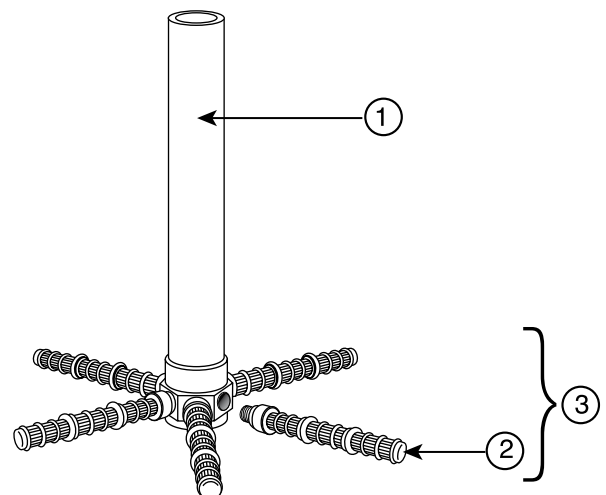
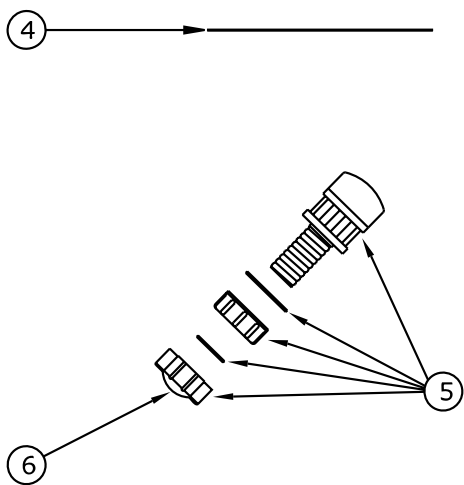
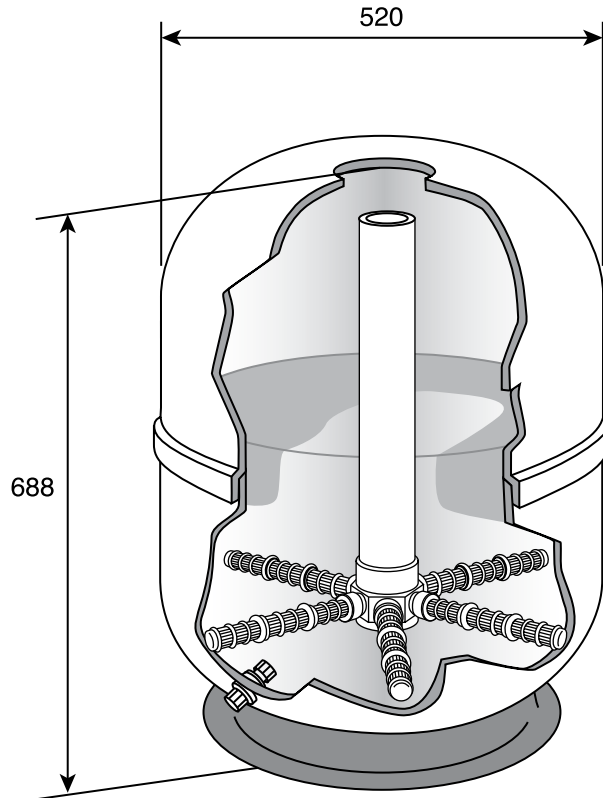
SIDE VIEW



PLAN VIEW

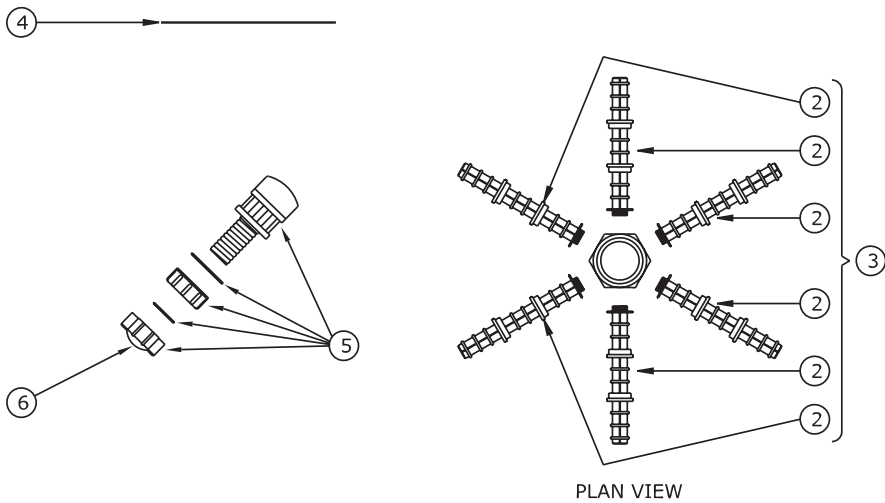
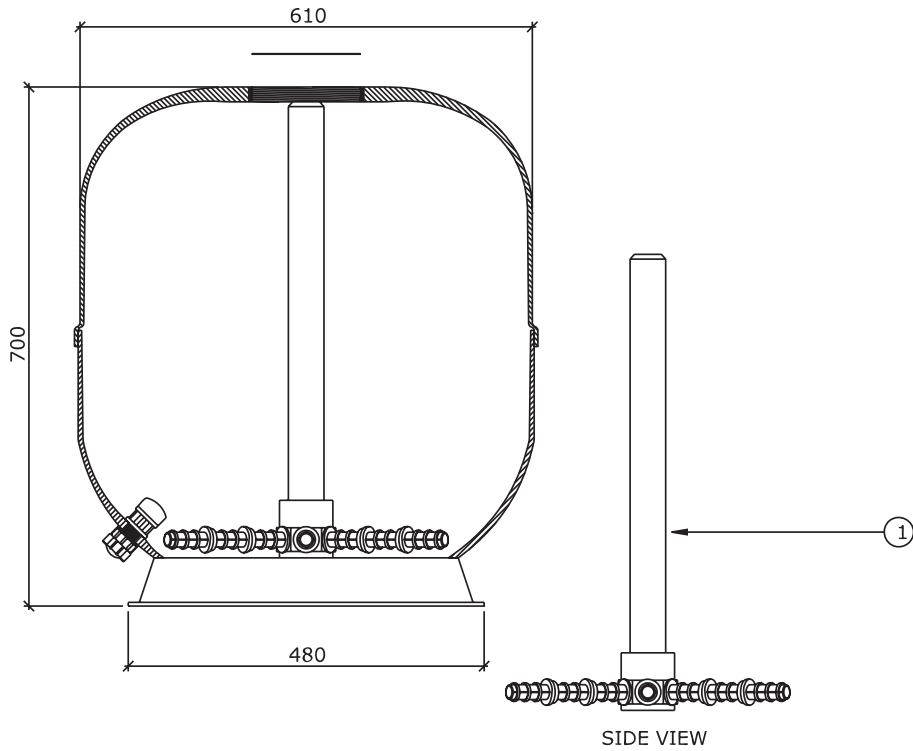
Lacron TMV-20

Part Number	Product Description	Diagram No.	LIST PRICE
1367E (W12274)	20" Top Mount Internals (less candles)	1	£50.72
6008	120mm + 40mm (candle) (x 6) (W02986 + W02991)	2	£11.75
1393A (W12275)	20" Lateral (candle) Set	3	£41.41
1314 (W02068)	Top Mount Valve O Ring	4	£11.39
6001 (W02026BLK)	Drain Plug Complete	5	£16.31
W02522C	Drain Plug Cap	6	£6.81
621320	Centre Stem O Ring	n/s	£6.37



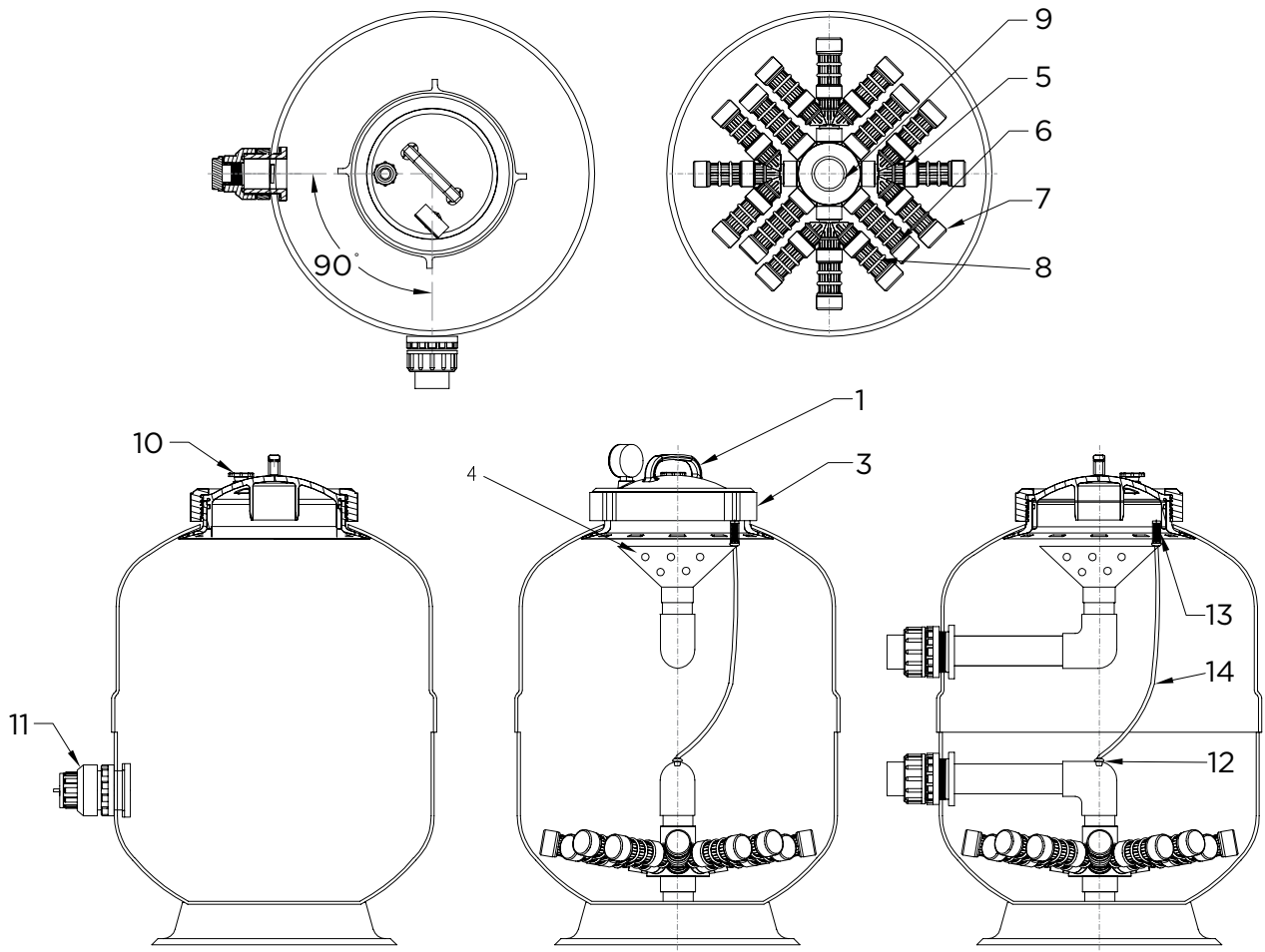
Lacron TMV-24

Part Number	Product Description	Diagram No.	LIST PRICE
1367A (W12243)	24" Top Mount Internals (less candles)	1	£50.73
6008 (W02984 + W02991)	180mm Lateral (X 6)	2	£11.75
1394A (W12245)	24" Lateral (candle) Set	3	£62.13
1314 (W02068)	Top Mount Valve O Ring	4	£11.39
6001(W02026BLK)	Drain Plug Complete	5	£16.31
W02522C	Drain Plug Cap	6	£6.82
621320	Centre Stem O Ring	n/s	£6.37



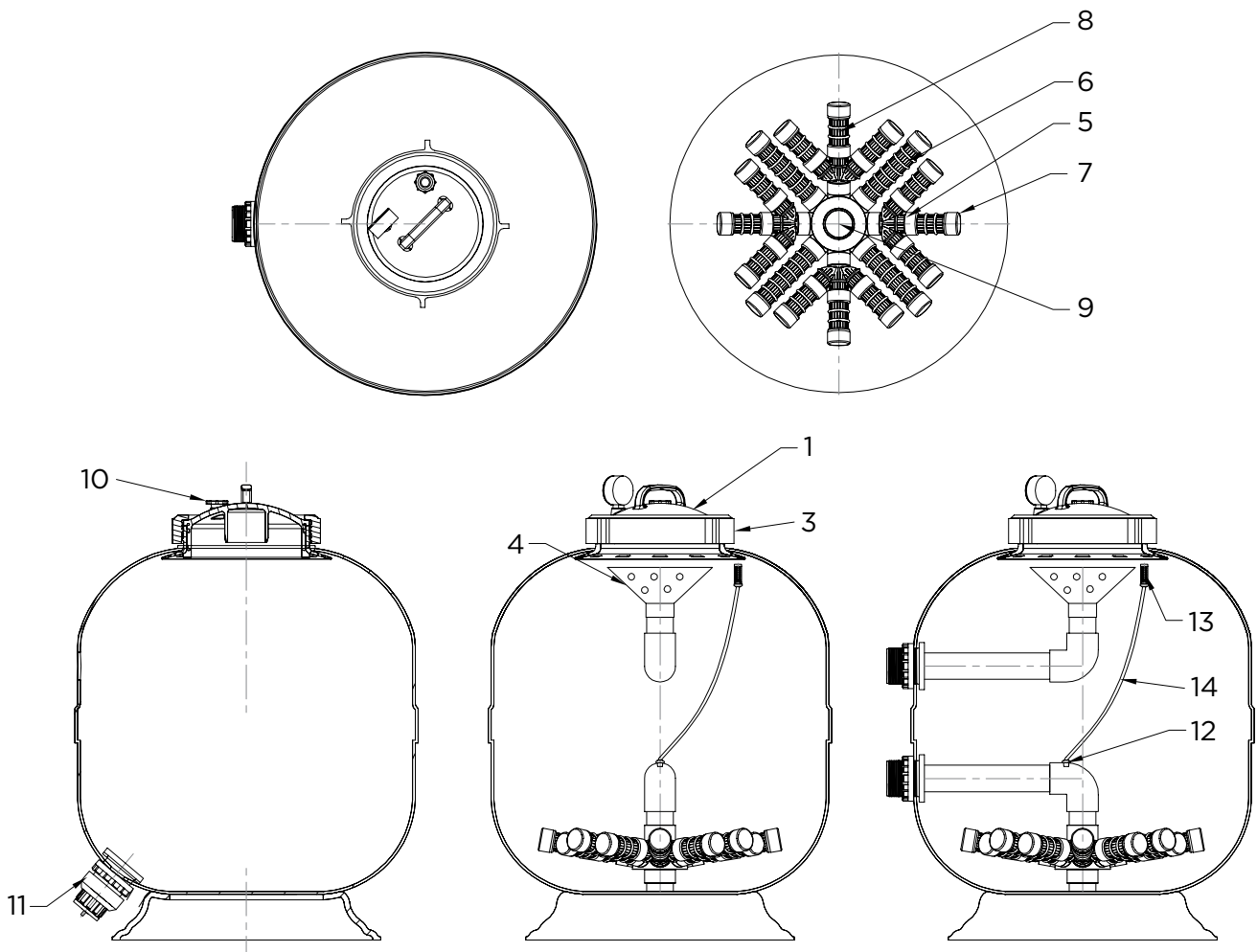
Lacron Pure -20

Part Number	Product Description	Diagram No.	LIST PRICE
6209291	Filter Lid 8" Clear	1	£39.88
62026	T/L O-Ring	2	£11.99
62024BLK	T/L Lock Ring Black	3	£25.10
W02066	Funnel For Side Mount	4	£11.22
6209226	Lateral Extention Arm Assembly Short	5	£13.66
W02112PP	Lateral Waterco 110mm PP	6	£3.39
W02117PP	Lateral End Cap Nut	7	£1.98
W02111PP	Lateral Waterco 75mm PP	8	£2.93
W02115PP	Manifold Waterco 40mm	9	£33.01
620221	Air Relief Valve New Style Black	10	£4.65
W04058BLK	Drain Plug 40mm Complete	11	£81.86
W02268	Gasket 40mm Bulkhead		£8.07
W02271BLK	Bulkhead Lock Nut 40mm Black		£4.33
W02272BLK	Bulkhead Threaded Body 40mm Black		£3.35
W02111PP	Lateral Waterco 75mm PP		£2.93
W02158PP	Lateral End Cap Screw PP		£3.07
W02213	O-Ring 40mm B/U EPDM		£3.56
W02267	Drain Plug 40mm O-Ring		£3.38
W02269BLK	Drain Plug Body 40mm Black		£3.72
W02270BLK	Drain Plug End Cap 40mm Black		£4.64
85251	Gulfstream Plug	12	£0.89
W02289	Air Relief Tube Screen	13	£4.91
W02549	T/L Moulded Air Bleed 500mm C50	14	£2.99



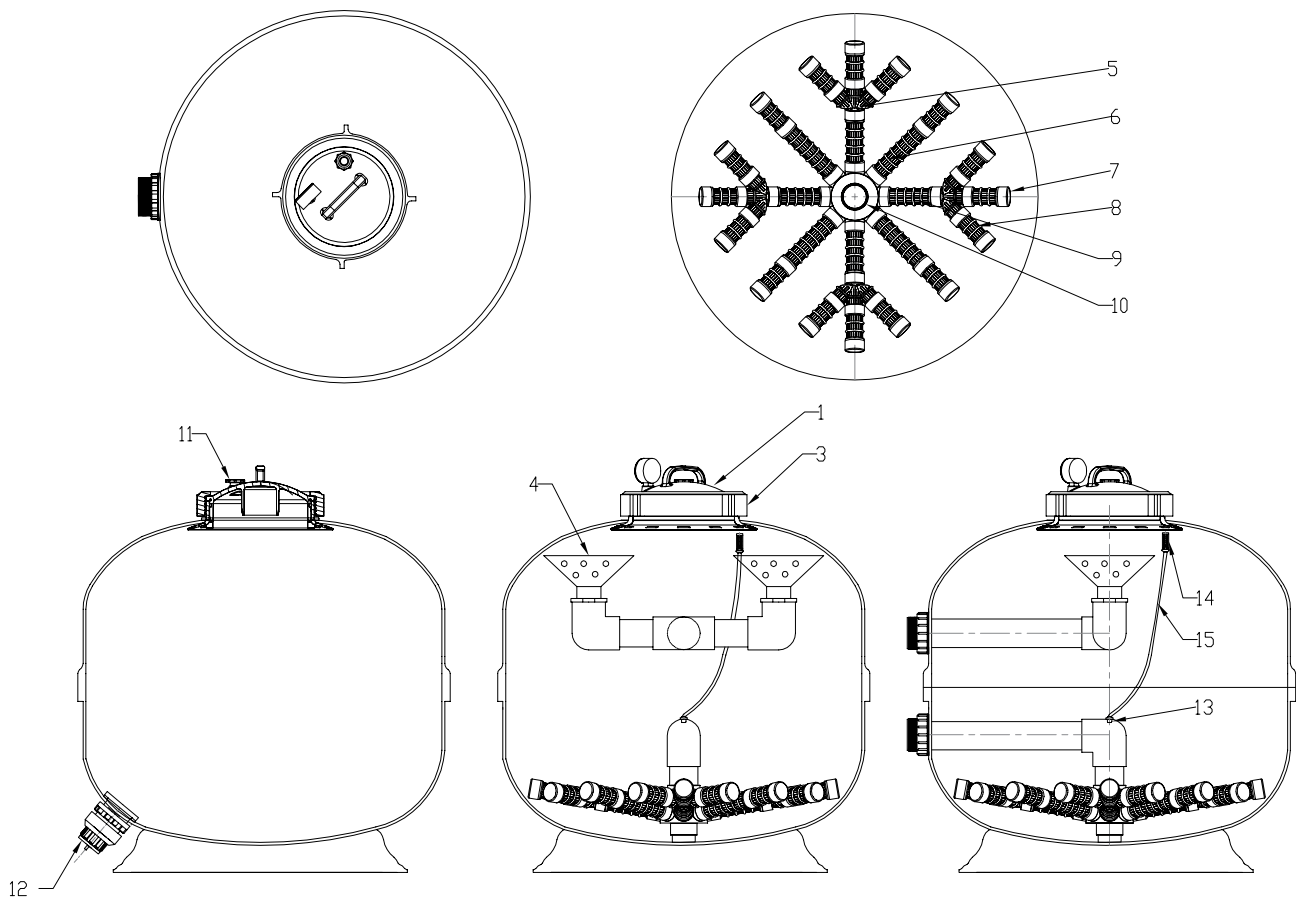
Lacron Pure -24

Part Number	Product Description	Diagram No.	LIST PRICE
6209291	Filter Lid 8" Clear	1	£39.88
62026	T/L O-Ring	2	£11.99
62024BLK	T/L Lock Ring Black	3	£25.10
W02066	Funnel For Side Mount	4	£11.22
6209226	Lateral Extension Arm Assembly Short	5	£13.66
W02113PP	Lateral Waterco 145mm PP	6	£3.57
W02117PP	Lateral End Cap Nut	7	£1.98
W02111PP	Lateral Waterco 75mm PP	8	£2.93
W02115	Manifold Waterco 40mm	9	£61.98
620221	Air Relief Valve New Style Black	10	£4.65
W04058BLK	Drain Plug 40mm Complete	11	£81.86
W02268	Gasket 40mm Bulkhead		£8.07
W02271BLK	Bulkhead Lock Nut 40mm Black		£4.33
W02272BLK	Bulkhead Threaded Body 40mm Black		£3.35
W02111PP	Lateral Waterco 75mm PP		£2.93
W02158PP	Lateral End Cap Screw PP		£3.07
W02213	O-Ring 40mm B/U EPDM		£3.56
W02267	Drain Plug 40mm O-Ring		£3.38
W02269BLK	Drain Plug Body 40mm Black		£3.72
W02270BLK	Drain Plug End Cap 40mm Black		£4.64
85251	Gulfstream Plug	12	£0.89
W02289	Air Relief Tube Screen	13	£4.91
W02549	T/L Moulded Air Bleed 500mm C50	14	£2.99



Lacron Pure -30

Part Number	Product Description	Diagram No.	LIST PRICE
6209291	Filter Lid 8" Clear	1	£39.88
62026	T/L O-Ring	2	£11.99
62024BLK	T/L Lock Ring Black	3	£25.10
W02066	Funnel For Side Mount	4	£11.22
6209226	Lateral Extention Arm Assembly Short	5	£13.66
W02113PP	Lateral Waterco 145mm PP	6	£3.57
W02117PP	Lateral End Cap Nut	7	£1.98
W02111PP	Lateral Waterco 75mm PP	8	£2.93
W02112PP	Lateral Waterco 110mm PP	9	£3.39
W02116	Manifold Waterco 50mm	10	£61.98
620221	Air Relief Valve New Style Black	11	£4.65
W04058BLK	Drain Plug 40mm Complete	12	£81.86
W02268	Gasket 40mm Bulkhead		£8.07
W02271BLK	Bulkhead Lock Nut 40mm Black		£4.33
W02272BLK	Bulkhead Threaded Body 40mm Black		£3.35
W02111PP	Lateral Waterco 75mm PP		£2.93
W02158PP	Lateral End Cap Screw PP		£3.07
W02213	O-Ring 40mm B/U EPDM		£3.56
W02267	Drain Plug 40mm O-Ring		£3.38
W02269BLK	Drain Plug Body 40mm Black		£3.72
W02270BLK	Drain Plug End Cap 40mm Black		£4.64
85251	Gulfstream Plug	13	£0.89
W02289	Air Relief Tube Screen	14	£4.91
W02550	T/L Moulded Air Bleed 740mm C75	15	£2.99



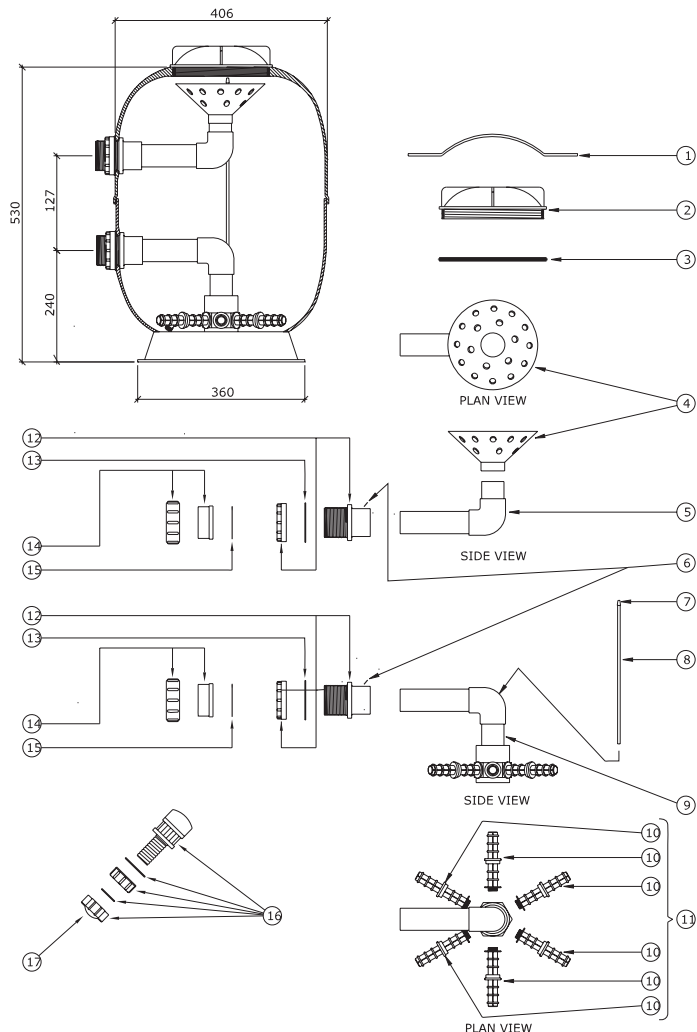
Lacron LSR - 16

Part Number	Product Description	Diagram No.	LIST PRICE
6012 (1304A)	Lacron lid removal tool (8" new type) Metal	1	£48.81
W22235	Lid removal tool Plastic	n/s	£18.62
6000 (6209292)	Lid (8" new type) Polycarbonate	2	£74.50
6011 (621053)	Lid 'O' ring 8"	3	£12.64
620221	Air relief tap	n/s	£4.65
W02066	Rose distributor	4	£11.23
1366 (W32363)	1.5" Header (less rose)	5	£47.46
1671	3/4" Self tap screw (Pack of 10)	6	£6.73
W12045	Air bleed cap. Also order 1 x 85251 Rubber Grommit @ £0.85	7	£4.00
17100 (W02549)	16" Lacron air bleed tube	8	£7.53
1363 (W12247)	16" - 1.5" Underdrain less candles	9	£45.38
6007 (W02985)	120mm Lateral (candle) (X 6 required per filter)	10	£10.61
1393 (W12247)	lateral (candle) set	11	£56.04
6013	1.5" Bulkhead fitting inc nut (Set of 2)	12	£25.60
6015	1.5" Bulkhead Gasket (set of 2)	13	£11.75
6023 (W02209BLK + W02210BLK)	1.5" Union Adaptor nut and sleeve (set of 2)	14	£22.58
6026 (W02213)	1.5" Union adaptor 'O' Ring (set of 2)	15	£7.15
6001 (W02026BLK)	Drain plug complete	16	£16.31
W02522C	Drian plug - cap only	17	£6.82
W04002PP	16"/18"/20" Base Stand	n/a	£36.30

PRE 2006

6021 (W02992-2HBG)	1.5" Union adaptor inc sleeve (Set of 2)	14	£22.58
6004 (1522) (W12332)	1.5" Union adaptor gasket (set of 2)	15	£7.15
6113 (W02989)	1.5" Bulkhead Fitting inc. Nut (Set of 2)	12	£25.60
1520 (W12253-2HBG)	1.5" Bulkhead gasket	13	£11.81

PLEASE NOTE: 1 1/2" Lacron filters manufactured pre 2006 will have union adaptors (Barrel Unions) with **flat gaskets** 1 1/2" Lacron filters manufactured post 2006 will have union adaptors (Barrel Unions) with 'O' rings

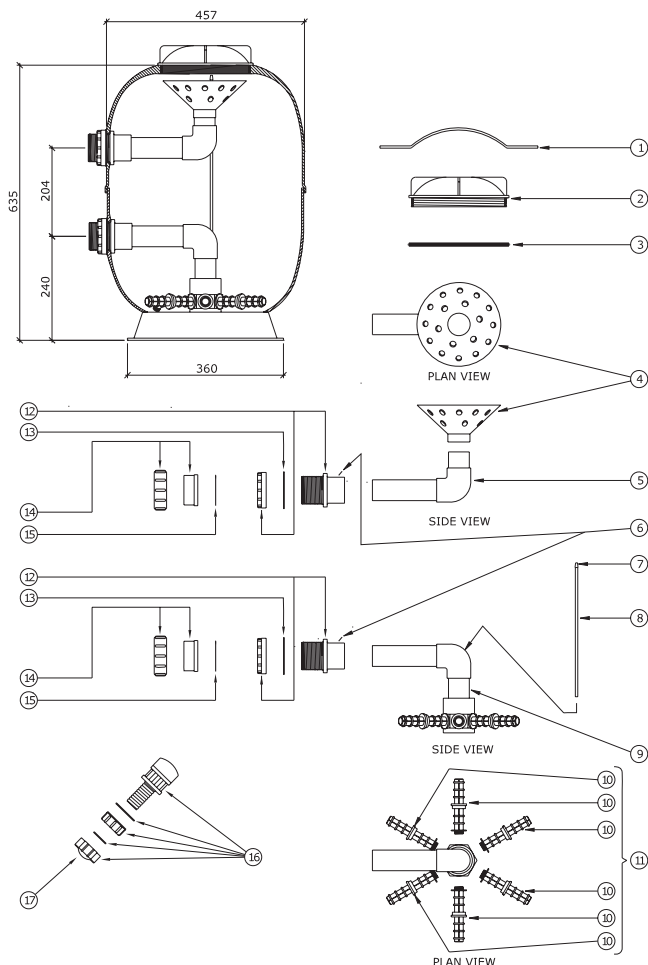


Lacron LSR - 18

Part Number	Product Description	Diagram No.	LIST PRICE
6012 (1304A)	Lid removal tool (8" new type) Metal	1	£48.81
W22235	Lid removal tool Plastic	n/s	£18.62
6000 (6209292)	Lid (New type 8") Polycarbonate	2	£74.50
6011 (621053)	Lid 'O' Ring 8"	3	£12.64
620929	6" Polycarbonate Lid	2	£50.17
W02068	6" Lid 'O' Ring	3	£11.39
620221	Air relief tap	n/s	£4.65
W02066	Rose distributor	4	£11.23
1366 (W32363)	1.5" Header (less rose)	5	£47.46
1671	3/4" Self tap screw (Pack of 10)	6	£6.73
W12045	Air bleed cap. Also order 1 x 85251 Rubber Grommit @ £0.85	7	£4.00
17101	18" Airbleed tube	8	£7.66
1365 (W22510)	18" - 1.5" Underdrain (less candles)	9	£45.38
6007 (W02985)	120mm Lateral (candle) (X 6 required per filter)	10	£10.62
1393 (W12247)	Lateral (candle) set	11	£56.04
6013 (W02272BLK + W02271BLK)	1.5" Bulkhead fitting including nut	12	£25.60
6015 (W02268)	1.5" Bulkhead gasket (Set of 2)	13	£11.75
6023 (W02209BLK + W02210BLK)	1.5" Union adaptor including sleeve (set of 2)	14	£22.58
6026 (W02213)	1.5" Union adaptor O-ring (set of 2)	15	£7.15
6001 (W02026BLK)	Drain plug complete	16	£16.31
W02522C	Drain plug cap only	17	£6.82
W04002PP	16"/18"/20" Base Stand	n/a	£36.30

PRE 2006			
6021 (W02992-2HBG)	1.5" Union Adaptor nut and sleeve (set of 2)	14	£22.58
6004 (1522) (W12332)	1.5" Union adapter gasket (set of 2)	15	£7.15
6113 (W02989)	1.5" Bulkhead Fitting inc. Nut	12	£25.60
1520 (W12253-2HBG)	1.5" Bulkhead gasket	13	£11.81

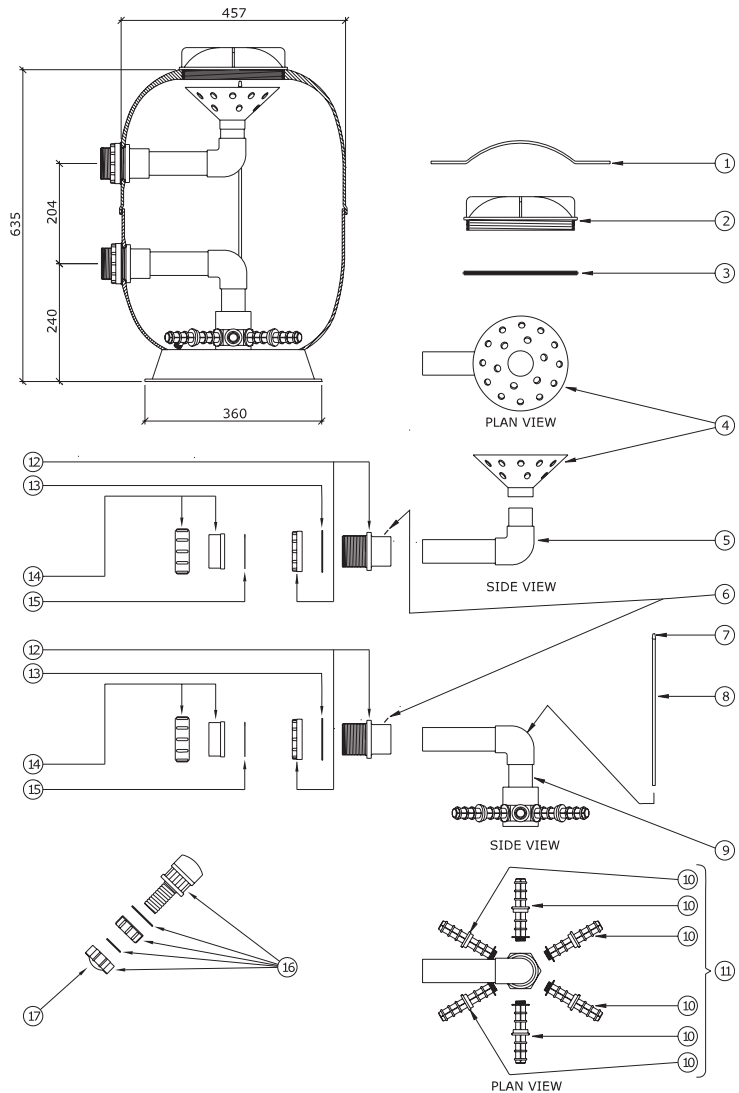
PLEASE NOTE: 1 1/2" Lacron filters manufactured pre 2006 will have union adaptors (Barrel Unions) with **flat gaskets** 1 1/2" Lacron filters manufactured post 2006 will have union adaptors (Barrel Unions) with 'O' rings



Lacron LSR - 20

Part Number	Product Description	Diagram No.	LIST PRICE
6012 (1304A)	Lid removal tool (8" new type) Metal	1	£48.81
W22235	Lid removal tool Plastic	n/s	£18.62
6000 (6209292)	Lid (New type 8") Polycarbonate	2	£74.50
6011 (621053)	Lid 'O' Ring 8"	3	£12.64
W02066	Rose distributor	4	£11.23
1366 (W32363)	1.5" Header (less rose)	5	£47.46
1671	3/4" Self tap screw (Pack of 10)	6	£6.73
W12045	Air bleed cap. Also order 1 x 85251 Rubber Grommit @ £0.85	7	£4.00
17101A	20" Airbleed tube	8	£7.66
1365A (W22510)	20" - 1.5" Underdrain (less candles)	9	£45.38
6007	120mm Lateral (candle) (x 6 required per filter)	10	£10.62
1393A (W12275)	Lateral (candle) set	11	£41.41
6013 (W02272BLK + W02271BLK)	1.5" Bulkhead fitting including nut	12	£25.60
6015 (W02268)	1.5" Bulkhead gasket (Set of 2)	13	£11.75
6023 (W02209BLK + W02210BLK)	1.5" Union Adaptor nut and sleeve (set of 2)	14	£22.58
6026 (W02213)	1.5" Union adaptor 'O' Ring (set of 2)	15	£7.15
6001 (W02026BLK)	Drain plug complete	16	£16.31
W02522C	Drain plug cap only	17	£6.82
W04002PP	16"/18"/20" Base Stand	n/a	£36.30
PRE 2006			
6021 (W02992-2HBG)	1.5" Union adaptor including sleeve (set of 2)	14	£22.58
6004 (1522) (W12332)	1.5" Union adaptor gasket (set of 2)	15	£7.15
6113 (W02989)	1.5" Bulkhead fitting including Nut	12	£25.60
1520 (W12253-2HBG)	1.5" Bulkhead gasket	13	£11.81

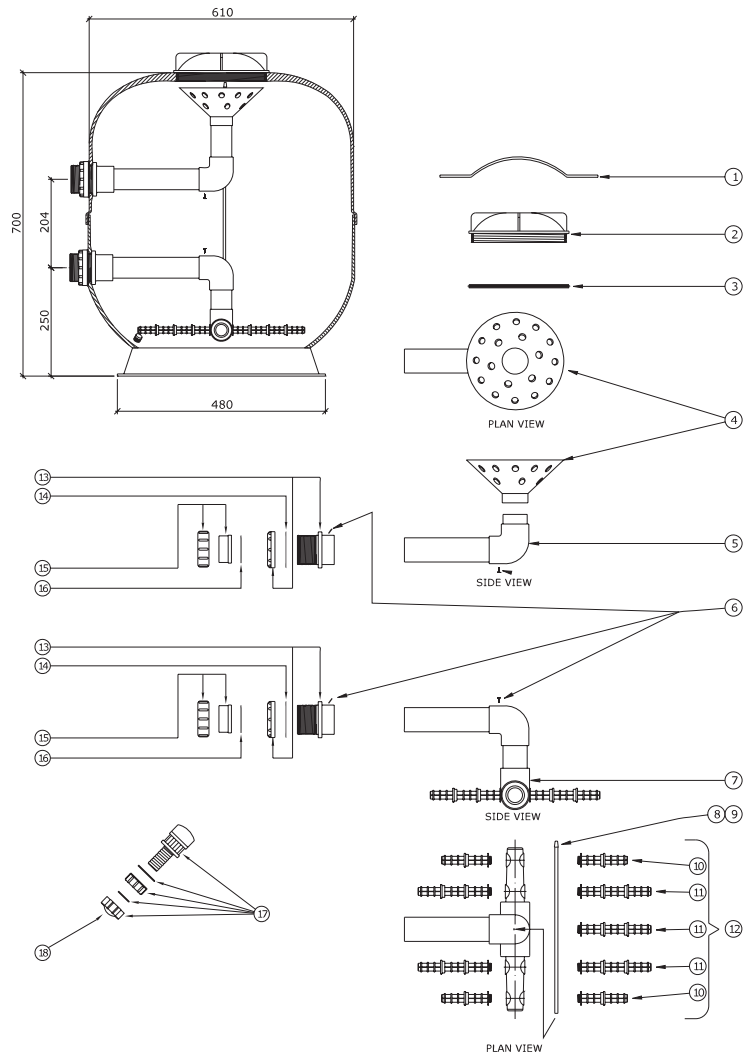
PLEASE NOTE: 1 1/2" Lacron filters manufactured pre 2006 will have union adaptors (Barrel Unions) with **flat gaskets** 1 1/2" Lacron filters manufactured post 2006 will have union adaptors (Barrel Unions) with 'O' rings



Lacron LSR - 24

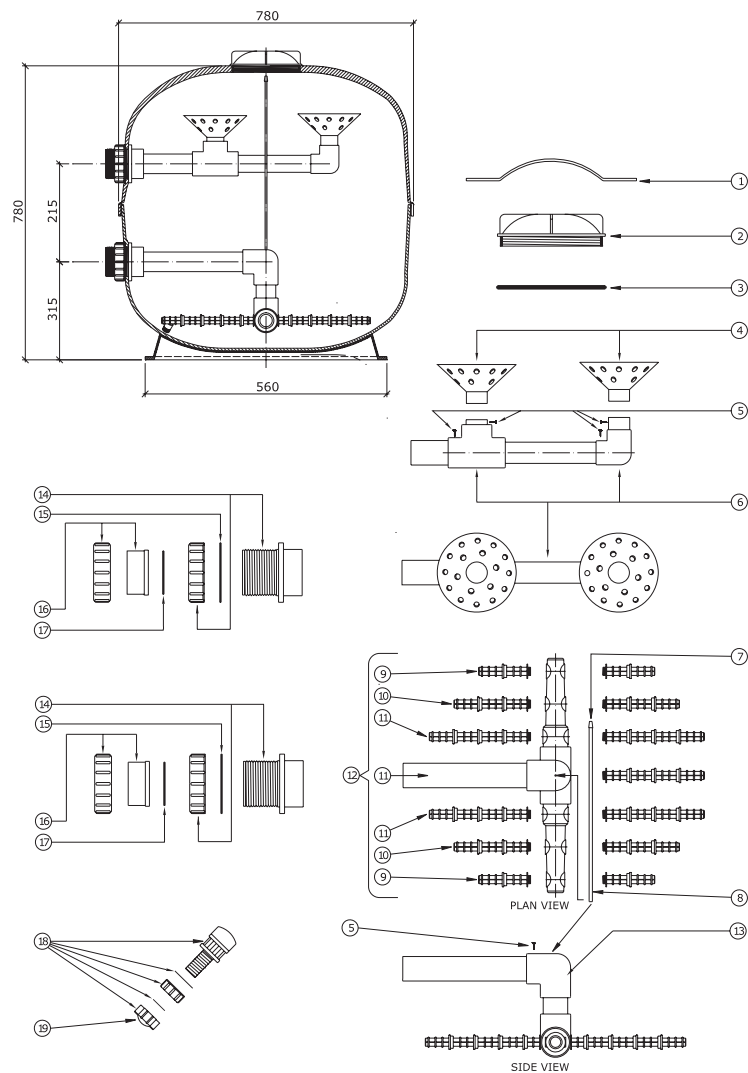
Part Number	Product Description	Diagram No.	LIST PRICE
6012 (1304A)	Lid Removal Tool (8" New Type) Metal	1	£48.81
W22235	Lid removal tool Plastic	n/s	£18.62
6000 (6209292)	Lacron Lid (Polycarbonate 8" New Type)	2	£74.50
6011 (621053)	Lacron Lid 'O' Ring 8"	3	£12.64
W02066	Rose Distributor	4	£11.23
1368	1.5" Header (Less Rose)	5	£47.46
1671	3/4" Self Tap Screw (Pack Of 10)	6	£6.73
1367 (W22216)	24" - 1.5" Underdrain Less Candles	7	£50.73
17102 (W02549)	24" Lacron Airbleed	8	£13.58
W12045	Air Bleed Cap. Also order 1 x 85251 Rubber Grommit @ £0.85	9	£4.00
6007 (W02985)	120Mm Lateral (Candle) (X 4 required per filter)	10	£10.62
6008 (W02984 + W02991)	180Mm Lateral (Candle) (X 6 required per filter)	11	£11.75
1394 (W22218)	Lateral (Candle) Set	12	£100.59
6013 (W02272BLK + W02271BLK)	1.5" Bulkhead Fitting (Plus Nut)	13	£25.60
6015 (W02268)	1.5" Bulkhead Gasket (Set Of 2)	14	£11.75
6023 (W02209BLK + W02210BLK)	1.5" Union Adaptor Nut And Sleeve (Set Of 2)	15	£22.58
6026 (W02213)	1.5" Union Adaptor 'O' Ring (Set Of 2)	16	£7.15
6001 (W02026BLK)	Drain Plug Complete	17	£16.31
W02522C	Drain Plug Cap	18	£6.82
W04003PP	24" Base Stand	n/a	£32.71
PRE 2006			
6021 (W02992-2HBG)	1.5" Adaptor Union (Plus Sleeve) (Set Of 2)	15	£22.58
6004 (1522)(W12332)	1.5" Adaptor Gasket (Set Of 2)	16	£7.15
6113 (W02989)	1.5" Bulkhead Fitting Including Nut	13	£25.60
1520 (W12253-2HBG)	1.5" Bulkhead Gasket	14	£11.81

PLEASE NOTE: 1 1/2" Lacron filters manufactured pre 2006 will have union adaptors (Barrel Unions) with **flat gaskets** 1 1/2" Lacron filters manufactured post 2006 will have union adaptors (Barrel Unions) with 'O' rings



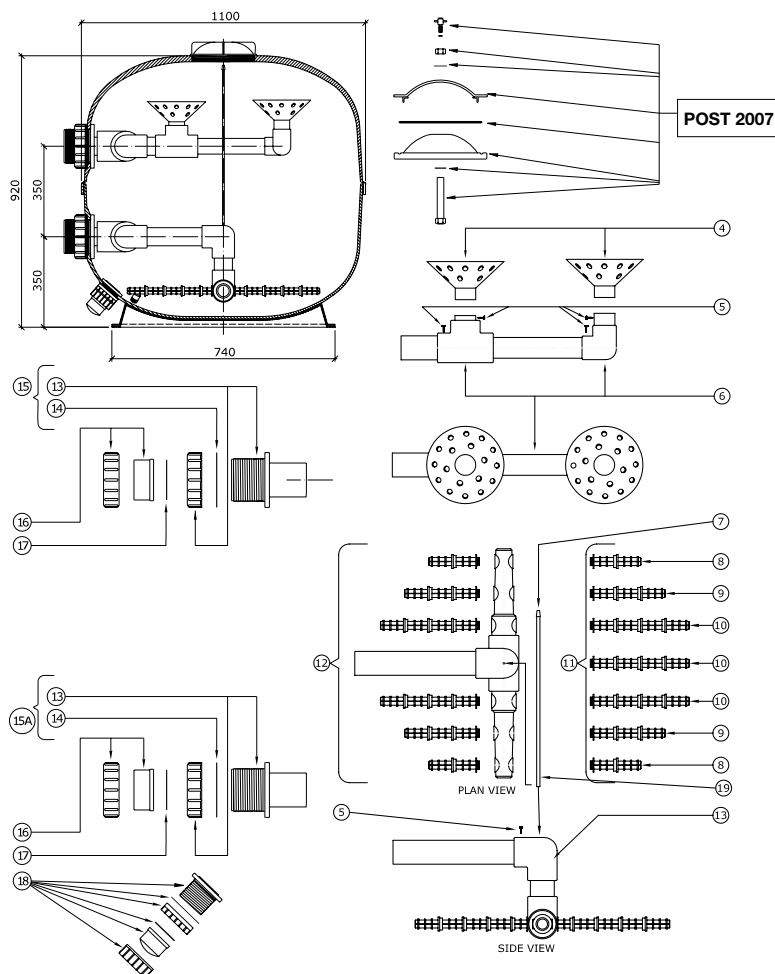
Lacron LSR - 30

Part Number	Product Description	Diagram No.	LIST PRICE
6012 (1304A)	Lacron Lid Removal Tool (8" New Type)	1	£48.81
W22235	LID REMOVAL TOOL PLASTIC	n/s	£18.62
6000 (6209292)	Lacron Lid (Polycarbonate 8" New Type)	2	£74.50
6011 (621053)	Lacron Lid 'O' Ring 8"	3	£12.64
W02066	Rose Distributor	4	£11.23
1671	³ / ₄ " Self Tap Screw (Pack Of 10)	5	£6.73
1370	2" Header (Less Rose)	6	£77.39
W12045	Air Bleed Cap. Also order 1 x 85251 Rubber Grommit @ £0.85	7	£4.00
17103 (W02550)	30" Lacron Airbleed	8	£13.71
6007 (W02985)	120mm Lateral (Candle) (X 4 required per filter)	9	£10.62
6008 (W02984 + W02991)	180mm Lateral (Candle) (X 4 required per filter)	10	£11.75
6009 (W02991 + W02985)	240mm Lateral (Candle) (X 6 required per filter)	11	£12.80
1395(W22219)	Lateral (Candle) Set	12	£133.89
1369(W22217)	30" - 2" Underdrain Less Candles	13	£88.56
6014 (W12065)	2" Bulkhead Fitting (Plus Nut)	14	£30.55
6016 (1521)(W12252)	2" Bulkhead Gasket (Set Of 2)	15	£29.90
6022 (W02990-2HBG)	2" Adaptor Union (Plus Sleeve) (Set Of 2)	16	£28.60
6005 (1523) (W12253-2HBG)	2" Adaptor Gasket (Set Of 2)	17	£11.75
6001 (W02026BLK)	Drain Plug Complete	18	£16.31
W02522C	Drain Plug Cap	19	£6.82
W04004PP	30" Base Stand	n/a	£40.74



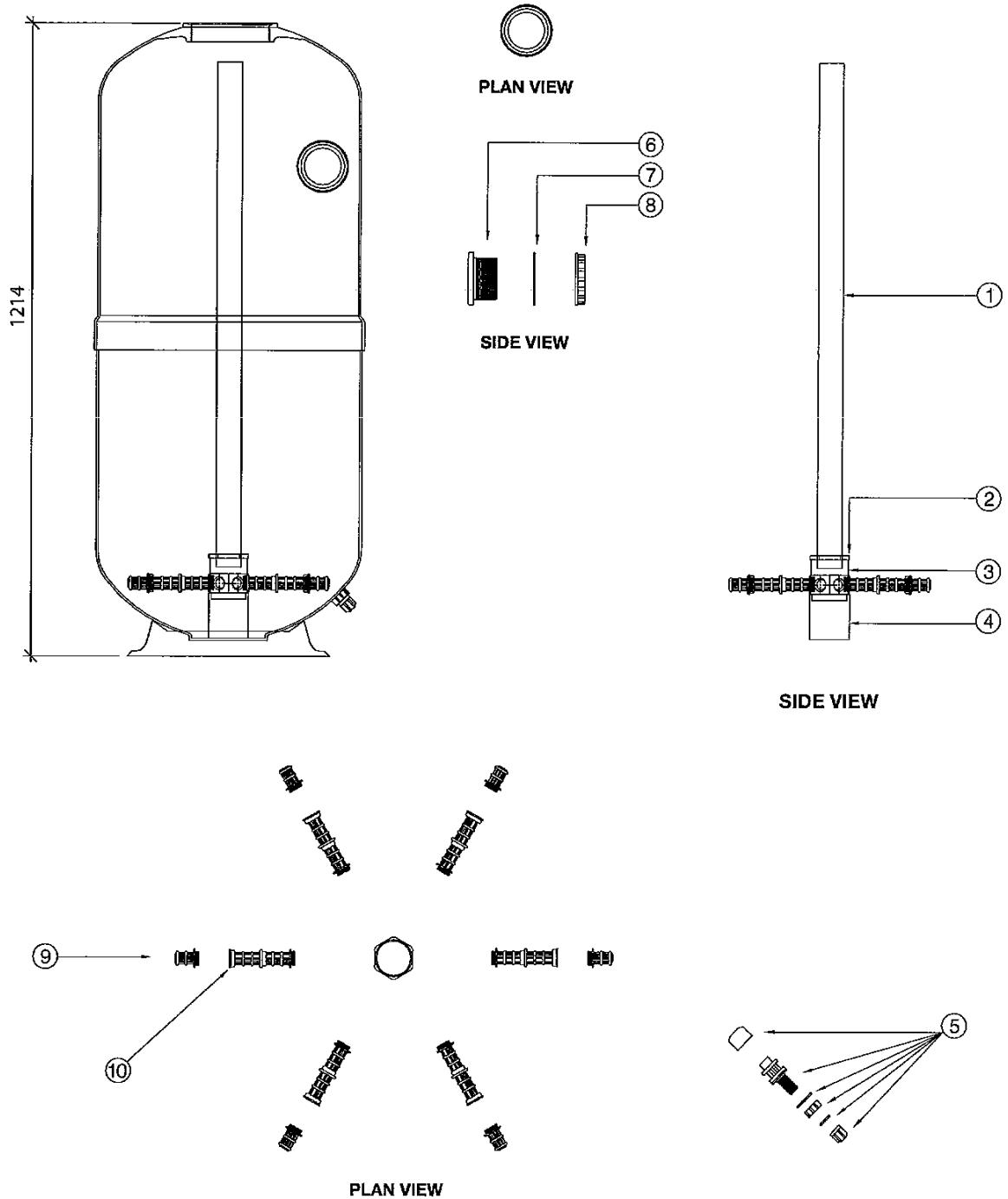
Lacron LSC - 36 - 2

Part Number	Product Description	Diagram No.	LIST PRICE
W02066	Rose Distributor	4	£11.23
1671	3/4" Self Tap Screw (Pack Of 10)	5	£6.73
1370	2" Header (Less Rose)	6	£77.39
W12045	Air Relief Tube Screen	7	£4.00
17103 (W02550)	36" Lacron Airbleed (740mm)	19	£13.72
85251	Gulf Stream Plug	7	£10.62
6007 (W02985)	120mm Lateral (Candle) (X 4 required per filter)	8	£11.75
6008 (W02984 + W02991)	180mm Lateral (Candle) (X 4 required per filter)	9	£12.80
6009 (W02991 + W02985)	240mm Lateral (Candle) (X 6 required per filter)	10	£148.60
1395A	Lateral (Candle) Set	11	£245.96
1388B	2" Underdrain Less Candles	12a,12b,12c	£30.55
6014 (W12065)	2" Bulkhead Fitting (Plus Nut)	13	£29.89
6016 (1521) (W12252)	2" Bulkhead Gasket (Set Of 2)	14	£28.60
6022 (W02983 + W02982)	2" Adaptor Union (Plus Sleeve)	16	£11.75
6005 (1523) (W12253 + 2HBG)	2" Adaptor Gasket (Set Of 2)	17	£81.86
W04058BLK	40mm Drain Plug Complete	18	£6.81
W04854	36" Base Stand	N/s	£68.66
For filters supplied prior to Clamp Style Lid			
6012 (1304A)	Lacron Lid Removal Tool (8" New Type)	n/s	£48.81
6000 (6209292)	Lacron Lid (Polycarbonate 8" New Type)	n/s	£74.50
6011 (1316)	Lacron Lid 'O' Ring	n/s	£12.63
Post 2007 'Clamp Lid'			
W12076	Nylon Air Relief Tap + 'O' Ring		£11.82
W12248	Lid Retaining Clamp C/W Screw & Nut		£59.05
1993 (W02933)	Small Oval Lid O Ring		£16.00
W12135	Small Oval Lid		£129.12



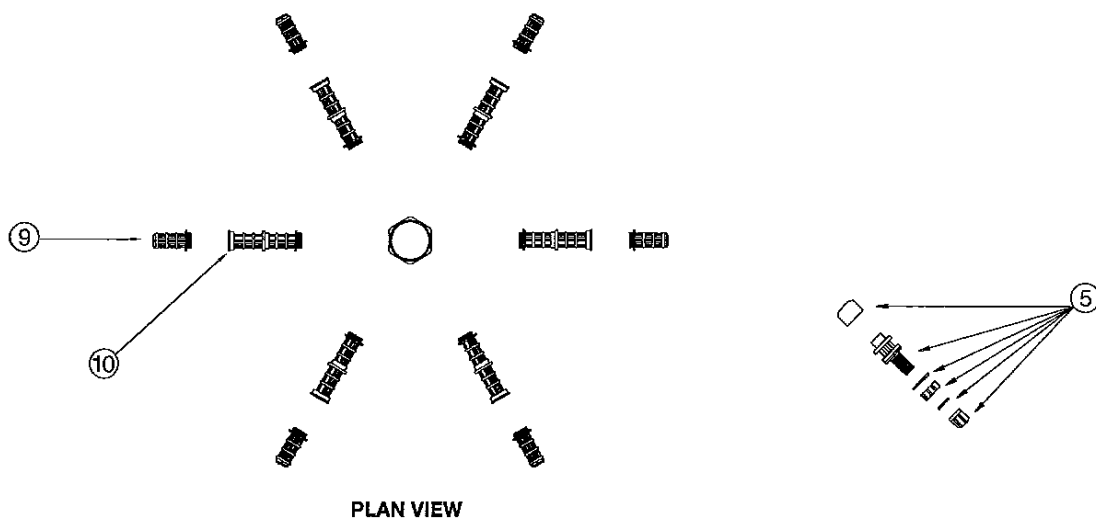
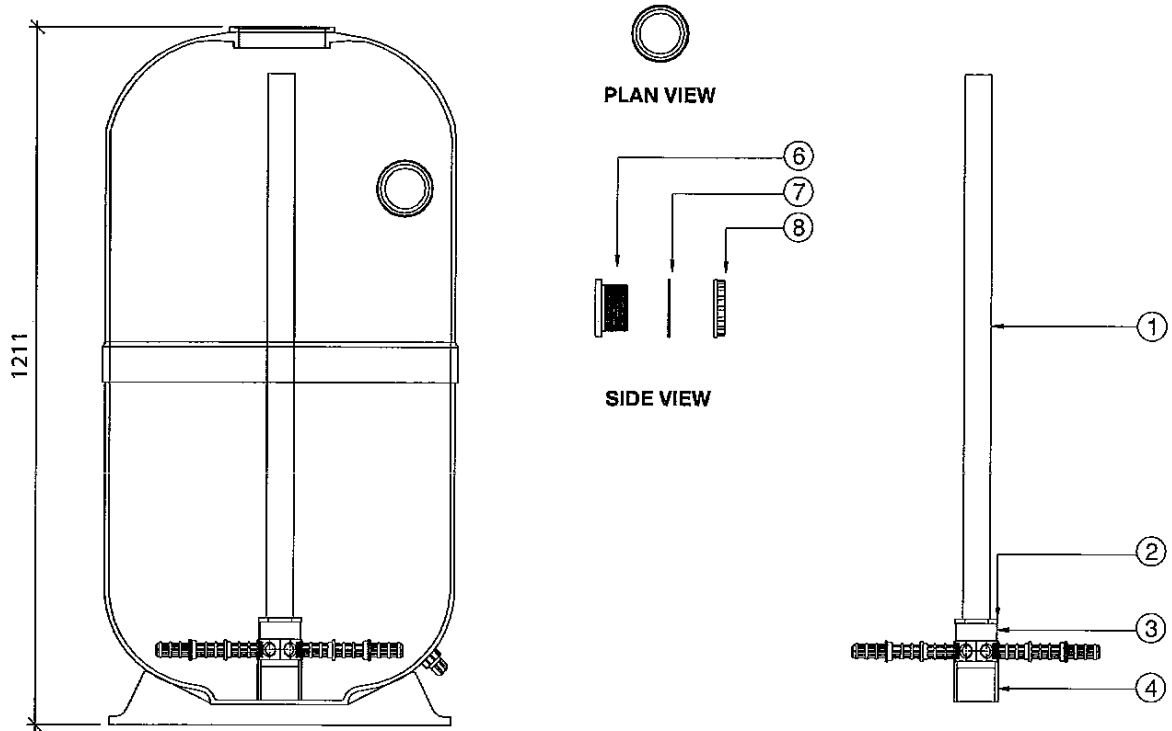
Lacron Plus Top Mount 20

Part Number	Product Description	Diagram No.	LIST PRICE
W99019	Pipe 1.5"	1	£0.99
12555BLK	REDUCING BUSH 50 X 40	2	£6.54
W12241	Hexagonal Manifold	3	£4.65
116512	Pipe 65mm CL 12	4	£231.60
W02026BLK (6001)	Drain Plug Complete 15mm	5	£16.31
W22314	Sight glass 2" moulded	6	£11.96
W02080	Gasket sight glass 2"	7	£12.87
W02567	B/H lock Nut 2"	8	£11.89
W02986	Candle 40mm capped (6 required per filter)	9	£2.66
W02991	Candle 120mm open (6 required per filter)	10	£3.18



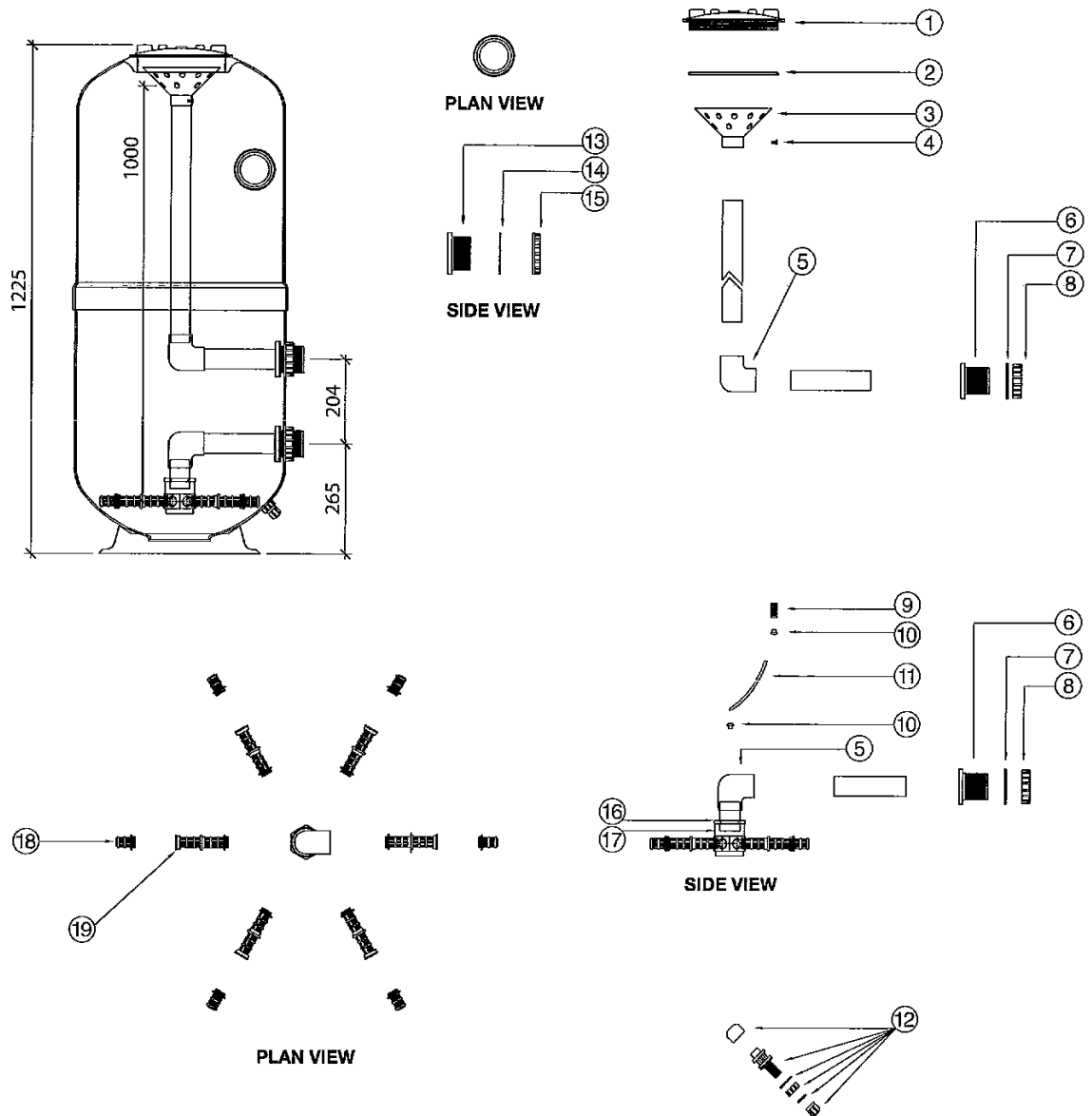
Lacron Plus Top Mount 24

Part Number	Product Description	Diagram No.	LIST PRICE
W99019	Pipe 1.5"	1	£0.99
12555BLK	REDUCING BUSH 50 X 40	2	£6.54
W12241	Hexagonal Manifold	3	£4.65
116512	Pipe 65mm CL 12	4	£231.60
W02026BLK (6001)	Drain Plug Complete 15mm	5	£16.31
W22314	Sight glass 2" moulded	6	£11.96
W02080	Gasket sight glass 2"	7	£12.87
W02567	B/H lock Nut 2"	8	£11.89
W02986	Candle 40mm capped (6 required per filter)	9	£9.84
W02991	Candle 120mm open (6 required per filter)	10	£3.18



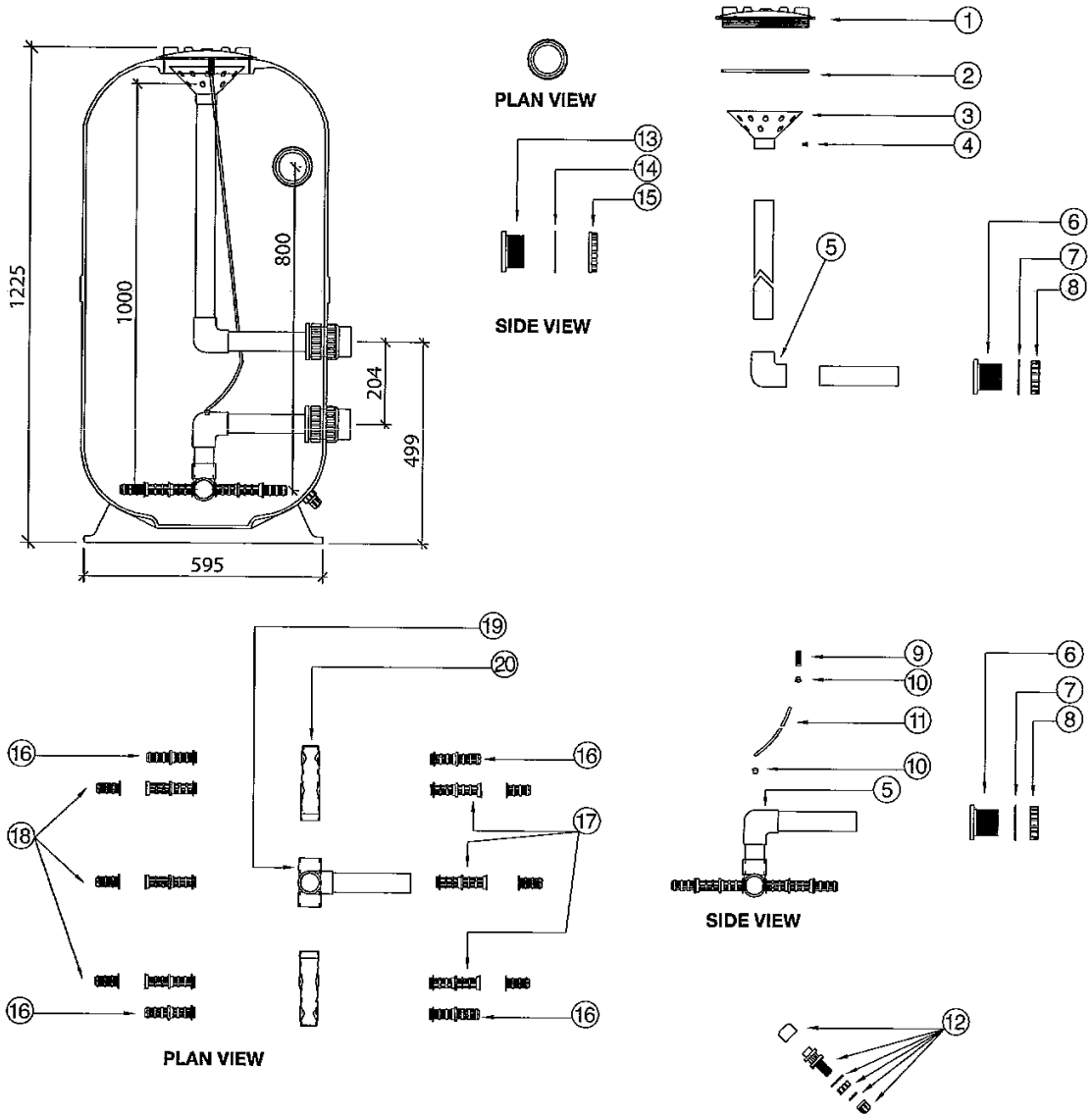
Lacron Plus Side Mount 20"

Part Number	Product Description	Diagram No.	LIST PRICE
6012 (1304A)	Lid removal tool (8" new type)		£48.81
W22235	Lacron Lid removal tool - Plastic		£18.62
6000 (6209292)	Lid (New type 8") Polycarbonate	1	£74.50
6011 (621053)	Lid 'O' Ring	2	£12.64
W02066	Rose distributor	3	£11.23
W02214	Screw 8 x 5/8"	4	£1.16
121340	Elbow 90deg. 50mm (Qty 2 required per filter)	5	£5.40
W02272BLK	Bulkhead threaded body 50mm Black (Qty 2 required per filter)	6	£3.35
W02268	Gasket Bulkhead body 50mm (Qty 2 required per filter)	7	£8.07
W02271BLK	Bulkhead lock nut (Qty 2 required per filter)	8	£4.33
W02289	Air Relief Tube Screen	9	£4.92
85251	Gulfstream Plug (Qty 2 required per filter)	10	£0.89
W02558	Airbleed Tube (1 m)	11	£12.95
W02026BLK (6001)	Drain Plug complete 15mm	12	£16.31
W22314	Sight glass 2" Moulded	13	£11.96
W02080	Gasket Sight glass 2"	14	£12.87
W02567	B/Head Lock Nut 2"	15	£11.89
W1255BLK	Reducing Bush	16	£2.61
W12087	Hexagonal manifold	17	£4.19
W02986	Candle 40mm capped (Qty 6 required per filter)	18	£2.66
W02991	Candle 120mm open (Qty 6 required per filter)	19	£3.18



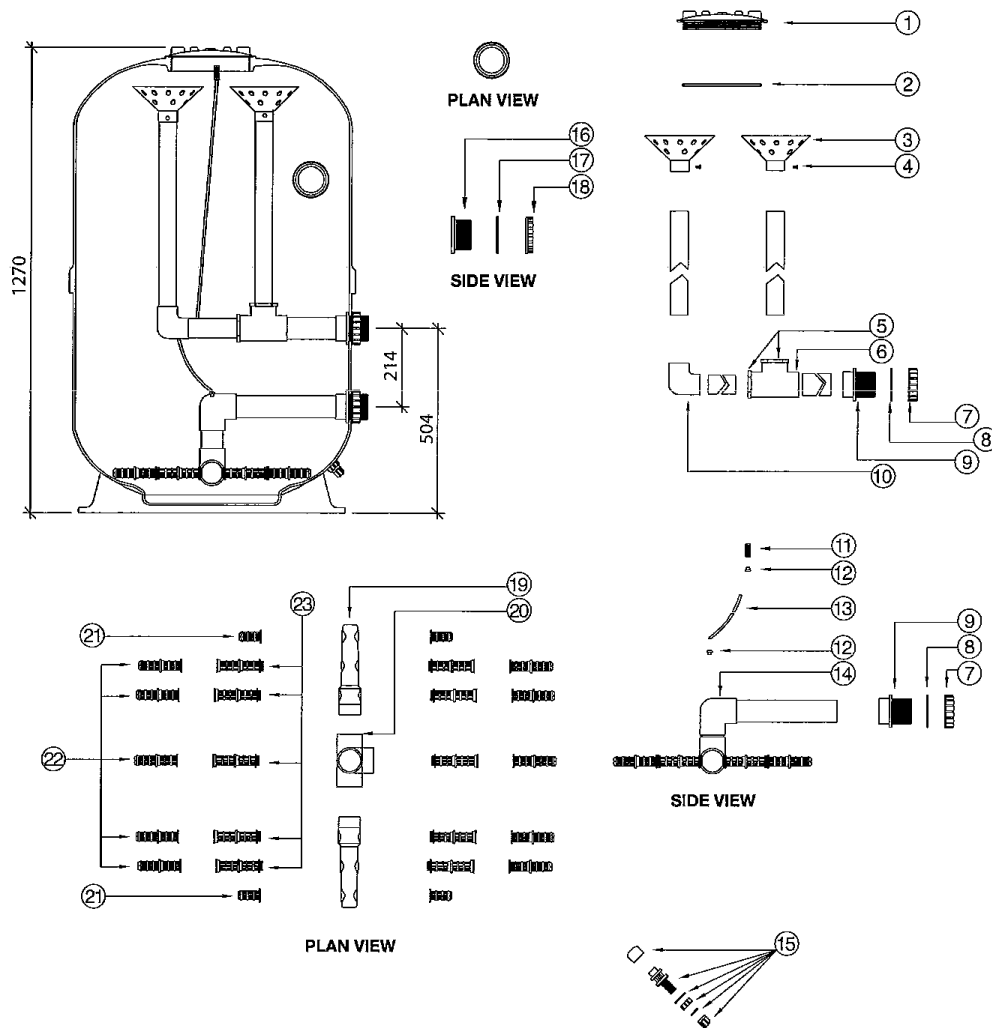
Lacron Plus Side Mount 24

Part Number	Product Description	Diagram No.	LIST PRICE
6012 (1304A)	Lid removal tool (8" new type)	n/s	£48.81
W22235	Lacron Lid removal tool - Plastic	n/s	£18.62
6000 (6209292)	Lid (New type 8") Polycarbonate	1	£74.50
6011 (621053)	Lid 'O' Ring	2	£12.64
W02066	Rose distributor	3	£11.23
W02214	Screw 8 x 5/8"	4	£1.16
121340	Elbow 90deg. 50mm (Qty 2 required per filter)	5	£5.40
W02272BLK	Bulkhead threaded body 50mm Black (Qty 2 required per filter)	6	£3.35
W02268	Gasket Bulkhead body 50mm (Qty 2 required per filter)	7	£8.07
W02271BLK	Bulkhead lock nut (Qty 2 required per filter)	8	£4.33
W02289	Air Relief Tube Screen	9	£4.92
85251	Gulfstream Plug (Qty 2 required per filter)	10	£0.89
W02558	Airbleed Tube (1 M)	11	£12.95
W02026BLK	Drain Plug complete 15mm	12	£16.31
W22314	Sight glass 2" Moulded	13	£11.96
W02080	Gasket Sight glass 2"	14	£12.87
W02567	B/Head Lock Nut 2"	15	£11.89
w02985	Candle 120mm capped (Qty 4 required per filter)	16	£10.60
W02991	Candle 120mm open (Qty 6 required per filter)	17	£3.17
W02984	Candle 60mm capped (Qty 6 required per filter)	18	£9.84
W12086	Tapped Tee	19	£3.31
W12088	Tapped 2 Hole collector	20	£6.96



Lacron Plus Side Mount 30

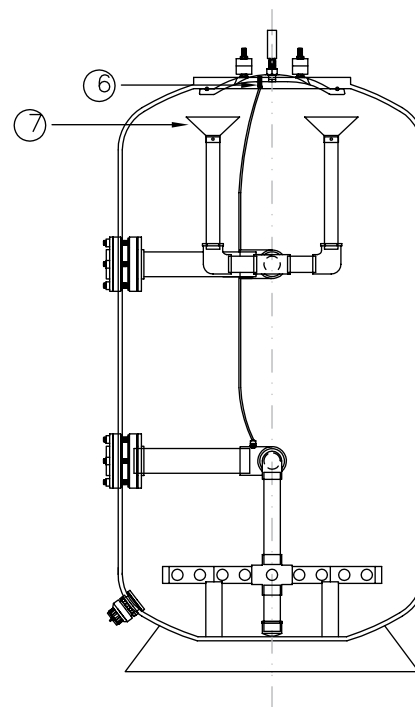
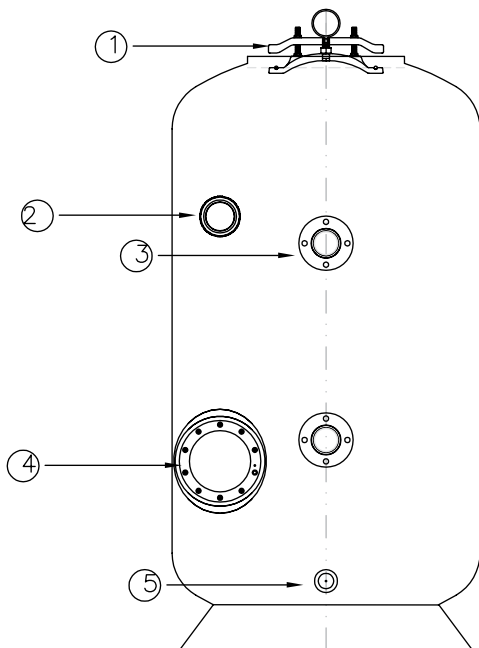
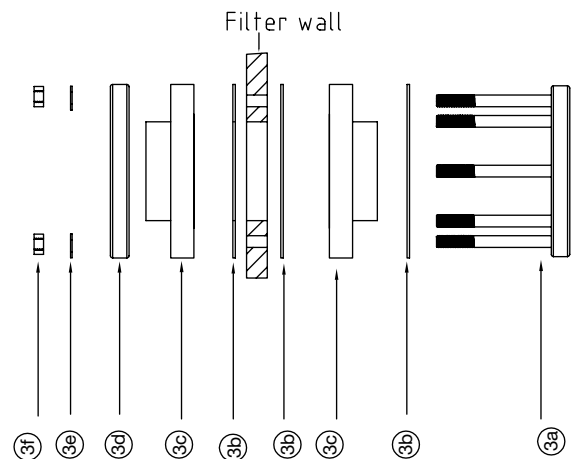
Part Number	Product Description	Diagram No.	LIST PRICE
6012 (1304A)	Lid removal tool (8" new type)	n/s	£48.81
W22235	Lacron Lid removal tool - Plastic	n/s	£18.62
6000 (6209292)	Lid (New type 8") Polycarbonate	1	£74.50
6011 (621053)	Lid 'O' Ring	2	£12.64
W02066	Rose distributor (Qty 2 required per filter)	3	£11.23
W02214	Screw 8 x 5/8"	4	£1.16
125555BLK	Reducing Bush	5	£4.65
121950	2" Tee	6	£4.40
W12066	B/head lock nut 2" (Qty 2 required per filter)	7	£8.79
W12252	Gasket B/head (Qty 2 required per filter)	8	£5.97
W12067	B/head body 2" (Qty 2 required per filter)	9	£8.79
121340	Elbow 90deg. 50mm (Qty 2 required per filter)	10	£5.40
W02289	Air Relief Tube Screen	11	£4.92
85251	Gulfstream Plug (Qty 2 required per filter)	12	£0.89
W02558	Airbleed Tube (1 M)	13	£12.95
121350	Elbow 2"	14	£5.06
W02026BLK	Drain Plug complete 15mm	15	£16.31
W22314	Sight glass 2" Moulded	16	£11.96
W02080	Gasket Sight glass 2"	17	£12.87
W02567	B/Head Lock Nut 2"	18	£11.89
W12089	Tapped 3-Hole Collector	19	£12.72
W12119	Tapped Tee 2"	20	£4.40
W02984	Candle 60mm capped (Qty 4 required per filter)	21	£9.84
w02985	Candle 120mm capped (Qty 4 required per filter)	22	£10.60
W02991	Candle 120mm open (Qty 6 required per filter)	23	£3.18



SMD / SMDD Side Mount Deep Bed Filters

Part Number	Product Description	Nos.	Diagram No.	LIST PRICE
W12720	Man Hole Cover 4 Stud Complete		1	£1,497.91
621632	Pressure Gauge Bottom Mount (Oil Filled) 400kPa			£32.50
621621	Pressure Gauge Dry 600KPA/90PSI Bottom Mount			£189.24
6209430	Lid Yoke Lacron (2 required)			£110.18
620266	O Ring Manhole Cover Oval 4 Stud - Waterco			£8.07
634080BLK	Barrel Union Lock Nut 80mm Black (2 required -SMD only)	3		£31.39
6340801	Barrel Union Lock Nut 100mm Black (2 required O ring -SMD only)	3		£31.39
W02249	O B/U 90mm O ring -SMD only	3		£7.42
W02553	O B/U 110mm - SMD only	3		£19.54
62380	Sight Glass 3" Complete (Post 2008)	2		£224.09
W12132	Sight Glass 3" Acrylic Cap (Pre 2008)	2		£213.65
W12299	Side Manhole Cover 18 Hole Oval	4		£598.75
W12050FG	Side Hatch Round 200mm	4		£395.08
W12300	Gasket for Side Manhole Oval 18 Hole	4		£39.53
W12216	O Ring G210 for Side Hatch Round 200mm	4		£10.12
W02026BLK	Drain Plug complete 15mm	5		£16.31
W04058BLK	Drain Plug complete 40mm	5		£81.86
6209305	Drain Plug complete 50mm	5		£45.75
620936	Drain Plug Assembly Connector 1" BSPT			£40.16
W02066	Funnel For Port Size 3" & 4" (90mm & 110mm) (4 required) & 50mm	7		£11.23
621013	Funnel for Port Size 6" (150mm) (4 required)	7		TBC
W02289	Air Relief Tube Screen	6		£4.92
85251	Gulfstream Plug (2 required)	6		£0.89

Part Number	Product Description	Nos.	Diagram No.	Port Size
W22634	Flange Stud Ring	2	3a	3"
W22139		2		4"
W22410		2		6"
1216801	Gasket Flange	6	3b	3"
63453063		6		4"
W02251		6		6"
1216803	PVC Flange	4	3c	3"
12161004		4		4"
W12540		4		6"
W22633	Flange Clamp Ring	2	3d	3"
W22141		2		4"
W22142		2		6"
W12126	Washer SS304	8	3e	3"
W12126		16		4"
W12539		16		6"
W12912	Hex Nut SS304	8	3f	3"
W12912		16		4"
W12910		16		6"

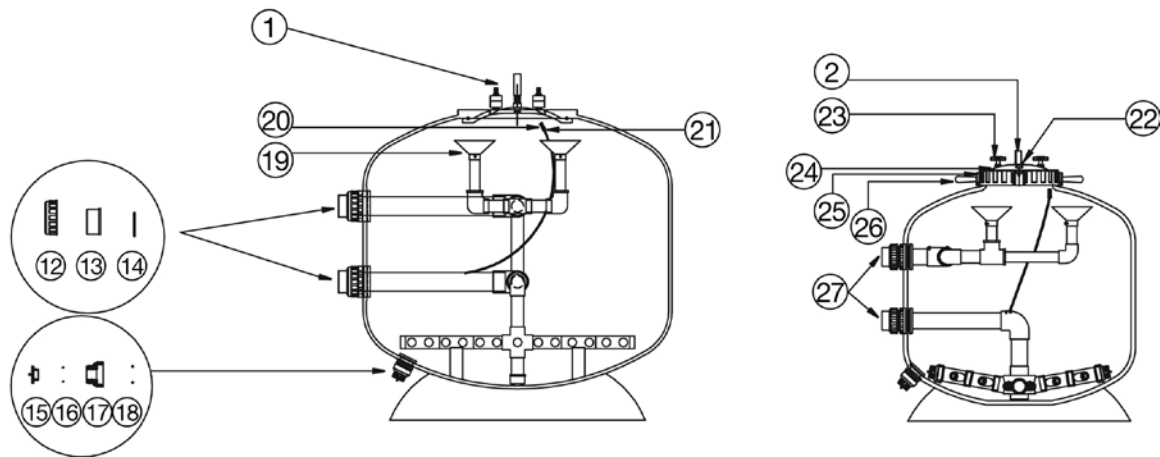


SMD / SMDD Side Mount Deep Bed Filters

Part No:	Manifold	LATERALS				WO2117PP Lateral End Cap Nut	WO2158PP Lateral End Plug (male)	W12073 HRZ Cross Tee	WO2156 HRZ LCT Extension	WO2157 HRZ LCT End Cap	6200912 Extension Arm	WO2269BLK Cap Body	WO2270BLK Cap Nut
		WO2111PP 75mm	WO2112PP 110mm	WO2113PP 145mm	WO2114PP 200mm								
SMD/SMDD400	50mm	8	-	-	-	8	-	-	-	-	-	-	-
SMD/SMDD500	50mm	-	-	8	-	8	-	-	-	-	-	-	-
SMD/SMDD600	50mm	8	8	-	-	8	-	-	-	-	-	-	-
SMD/SMDD750	63mm	8	-	8	-	8	-	-	-	-	-	-	-
SMD/SMDD900 63mm Port	63mm	8	-	-	8	8	-	-	-	-	-	-	-
SMD/SMDD900 90mm Port	-	4	22	4	2	36	4	2	8	4	-	-	-
SMD/SMDD1050 63mm Port	63mm	-	8	8	-	8	-	-	-	-	-	-	-
SMD/SMDD1050 75mm Port	75mm	8	16	-	12	20	-	-	-	-	8	4	4
SMD/SMDD1050 90mm Port	-	8	20	10	4	32	4	2	8	4	-	-	-
SMD/SMDD1200 63mm Port	63mm	8	-	-	16	8	-	-	-	-	-	-	-
SMD/SMDD1200 75mm Port	75mm	16	4	20	12	28	-	-	-	-	12	4	4
SMD/SMDD1200 90mm Port	-	2	26	8	6	32	4	2	8	4	-	-	-
SMD/SMDD1200 90Port wLateral manhole#620947	-	3	6	25	6	32	4	2	8	4	-	-	-
SMD/SMDD1200 110mm Port	-	4	4	4	36	-	48	-	-	-	-	-	-
SMD/SMDD1400 90mm Port	-	8	8	36	14	48	4	2	12	4	-	-	-
SMD/SMDD1400 110mm Port	-	10	8	12	32	-	52	-	-	-	-	-	-
SMD/SMDD1600 90mm Port	-	4	16	42	18	48	4	2	12	4	-	-	-
SMD/SMDD1600 110mm Port	-	10	22	22	38	-	60	-	-	-	-	-	-
SMD/SMDD1600 160mm Port	-	18	8	80	14	-	68	-	-	-	-	-	-
SMD/SMDD1800 110mm Port	-	8	42	22	68	-	76	-	-	-	-	-	-
SMD/SMDD1800 150mm Port	-	46	4	22	68	-	76	-	-	-	-	-	-
SMD/SMDD2000 110mm Port	-	2	52	20	74	-	80	-	-	-	-	-	-
SMD/SMDD2000 160mm Port	-	22	54	30	68	-	80	-	-	-	-	-	-
SMD/SMDD2000 160Port wLateral manhole #620947	-	22	53	29	68	-	80	-	-	-	-	-	-
SMDD2200 160mm Port	-	64	34	30	88	-	96	-	-	-	-	-	-
SMD/SMDD2350 160mm Port	-	4	62	42	122	-	104	-	-	-	-	-	-
SMD/SMDD2500 160mm Port	-	54	4	20	160	-	108	-	-	-	-	-	-

Micron Side Mount Commercial Filters

Part Number	Product Description	Diagram No.	LIST PRICE
W12720	Man Hole Cover 4 Stud Complete	1	£1,497.91
621621	Pressure Gauge Dry 600KPA/90PSI Bottom Mount	2	£189.24
6209430	Lid Yoke Lacron (2 required)		£110.18
620226	O Ring Manhole Cover Oval 4 Stud - Waterco		£8.07
634080BLK	3" Half Union Black (2 required)	12/13/14	£31.39
634080EBLK	90mm half union black	12/13/14	£23.97
6340801	110mm Half Union Black (2 required)	12/13/14	£31.39
W02249	O Ring B/U 90mm	14	£7.42
W02553	O Ring B/U 110mm	14	£19.54
W04058BLK	Drain Plug complete 40mm	15/16/17/18	£81.86
W02066	Funnel For Port Size 3" & 4" (90mm & 110mm) (4 required)	19	£11.23
W02289	Air Relief Tube Screen	20	£4.92
85251	Gulfstream Plug (2 required)	21	£0.89
620221	Air Relief Valve	22	£4.65
6202321	Handle for lid 12" (2 required)	23	£36.97
W02630	Lid 12"	24	TBA
620232	Lock Ring 12"	25	£344.40
6202321	Screwed handle for 12" lock ring (4 required)	26	£36.97
62027	lid o ring 12"	26	TBA
63406565BLK	Half union 65mm c/w O ring (2 required)	27	TBA



Part No:	Manifold	W0211PP	W02112PP	W02113PP	W02114PP	W02117PP	W02158PP	W12073	W02156	W02157	6200912	W02269BLK	W02270BLK
		LATERALS				Lateral End Cap Nut	Lateral End Plug (male)	Hzr Cross Tee	Hzr LCT Extension	Hzr LCT End Cap	Extension Arm	Cap Body	Cap Nut
Model		75mm	110mm	145mm	200mm								
SM1050 75mm Port	65mm	8	16	-	12	20	-	-	-	-	8	4	4
SM1050	80mm	8	20	10	4	32	4	2	8	4	-		
SM1200 75mm Port	65mm	16	4	20	12	28	-	-	-	-	12	4	4
SM1200	-	2	26	8	6	32	4	2	8	4	-		
SM1400	-	8	8	36	14	48	4	2	12	4	-		
SM1600 90mm Port	-	4	16	42	18	48	4	2	12	4	-		
SM1600 110mm Port	-	10	22	22	38	-	60	-	-	-	-		
SM1800	-	8	42	22	68	-	76	-	-	-	-		
SM2000	-	2	52	20	74	-	80	-	-	-	-		
SM2200 110mm Port	-	20	34	78	88		96				-		
SM2200 160mm Port	-	64	34	30	88	-	96	-	-	-	-		

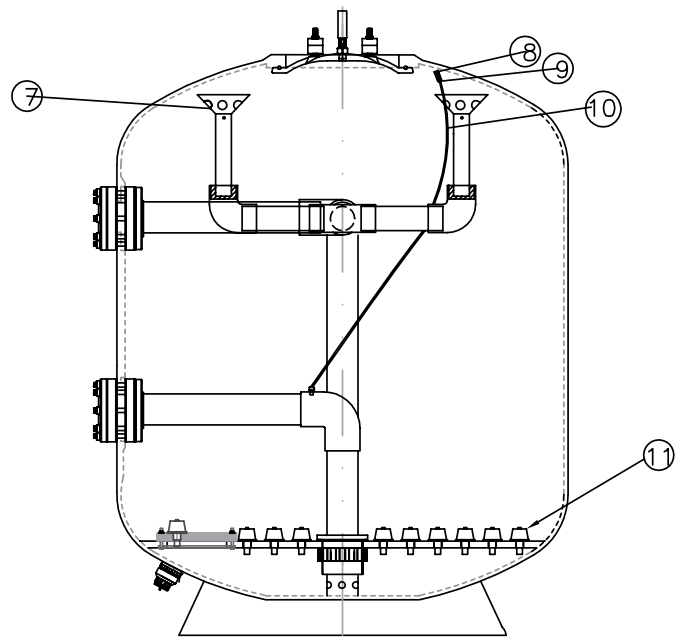
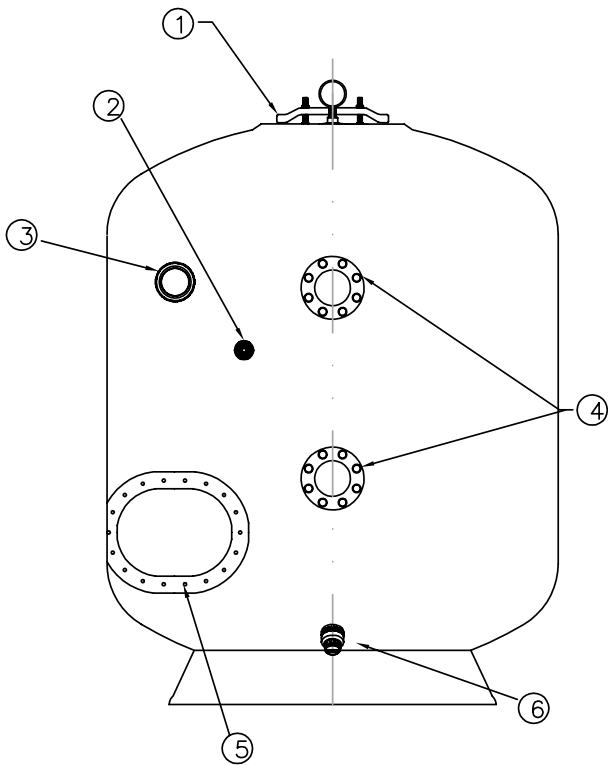
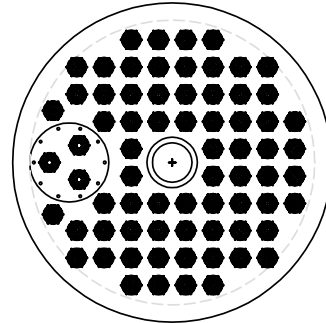
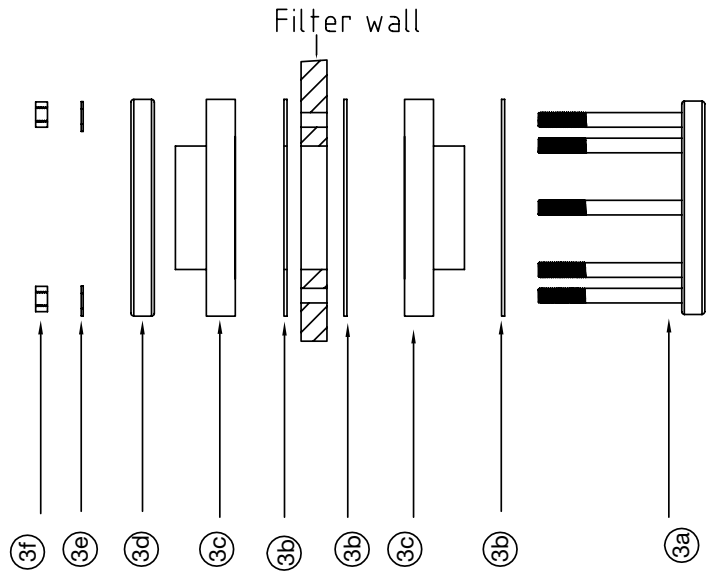
SPDD Side Mount Deep Bed Commercial Filters

Part Number	Product Description	Nos.	Diagram No.	LIST PRICE
W12720	Man Hole Cover 4 Stud Complete		1	£1,497.91
621632	Pressure Gauge Bottom Mount (Oil Filled) 400kPa			£32.50
621621	Pressure Gauge Dry 600KPA/90PSI Bottom Mount			£189.24
6209430	Lid Yoke Lacron (2 required)			£110.18
620266	O Ring Manhole Cover Oval 4 Stud - Waterco			£8.07
634080BLK	Union Black (2 required)			£31.39
6340801	Half Union Black (2 required)			£31.39
W02249	O B/U 90mm			£7.42
W02553	O B/U 110mm			£19.54
62380	Sight Glass 3" Complete (Post 2008)		3	£224.09
W12132	Sight Glass 3" Acrylic Cap (Pre 2008)		3	£213.65
W12299	Side Manhole Cover 18 Hole Oval		5	£598.75
W12050FG	Side Hatch Round 200mm		5	£395.08
W12300	Gasket for Side Manhole Oval 18 Hole		5	£39.53
W12216	O Ring G210 for Side Hatch Round 200mm		5	£10.12
W02026BLK	Drain Plug complete 15mm		6	£16.31
W04058BLK	Drain Plug complete 40mm		6	£81.86
6209305	Drain Plug complete 50mm		6	£45.75
620936	Drain Plug Assembly Connector 1" BSPT			£40.17
W02066	Funnel For Port Size 3" & 4" (90mm & 110mm) (4 required) & 50mm		7	£11.23
621013	Funnel for Port Size 6" (160mm) (4 required)		7	£4.91
W02289	Air Relief Tube Screen		8	£4.92
85251	Gulfstream Plug (2 required)			£0.89
1547	Filter Nozzle			£15.99
	Numbers of nozzles required for model:-			
	SPDD1050 (80mm port) - 59 required			
	SPDD1200 (80mm port) - 71 required			
	SPDD1400 (100mm port) - 101 required			
	SPDD1600 (100mm port) - 139 required			
	SPDD1800 (150mm port) - 187 required			
	SPDD2000 (150mm port) - 207 required			
	SPDD2200 (150mm port) - 263 required			
	SPDD2350 (150mm port) - 317 required			

* For diagram and flange fittings please see next page

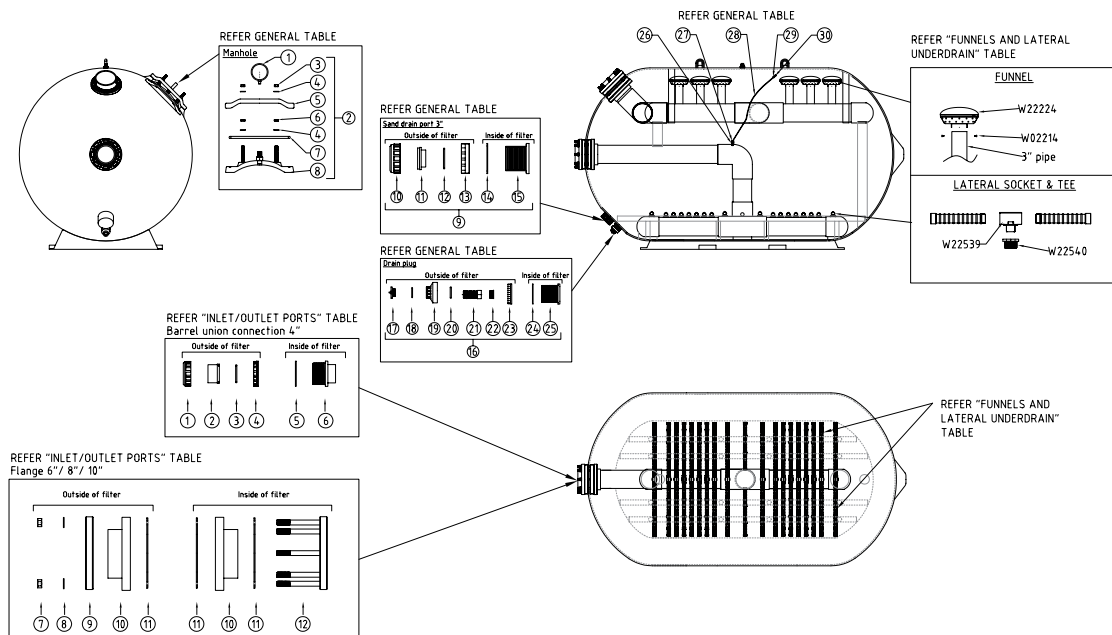
SPDD Side Mount Deep Bed Commercial Filters

Part Number	Product Description	Nos.	Diagram No.	Port Size
W22634		2	3a	3"
W22139	Flange Stud Ring	2		4"
W22410		2		6"
1216801	Gasket Flange	6	3b	3"
63453063		6		4"
W02251		6		6"
1216803	PVC Flange	4	3c	3"
12161004		4		4"
W12540		4		6"
W22633	Flange Clamp Ring	2	3d	3"
W22141		2		4"
W22142		2		6"
W12126	Washer SS304	8	3e	3"
W12126		16		4"
W12539		16		6"
W12912	Hex Nut SS304	8	3f	3"
W12912		16		4"
W12910		16		6"



Micron Horizontal Commercial Sand Filters

Part Number	Product Description	M Series	MD Series	Diagram No.	LIST PRICE
621621	PR Gauge 600kPa / 90Psi Bottom	1		1	£189.24
W24319	Manhole Cover 600 Oval MK2 Complete		1	2	TBA
W12557	Manhole Cover 4-Stud Oval Pewter Complete	1		2	TBA
W22110	Nut Hex M22 S/S304		8	3	TBA
W12127	Nut Hex M16 S/S304	4		3	£7.98
W22109	Washer M22 Full Face SS304		8	4	TBA
W12126	Washer M16 Full S/304	8		4	£1.18
W24321	Manhole Cover Clamp 600mm Hole 24mm		2	5	TBA
6209430	Lid Yoke Lacron	2		5	£110.18
W12324	Hex Thin Nut S/S M16	4		6	£12.52
W12114	Manhole Cover 600mm O-Ring 674 x 534 x 12		1	7	TBA
W12304	O-Ring M/H Cover 4-Stud Lacaron L2611	1		7	£55.20
W24320	Manhole Cover 600mm Oval 24mm Hole		1	8	TBA
W12558	Manhole Cover 4-Stud Oval Pewter	1		8	TBA
W22118L	Sand Drain 90mm Long Complete		1	9	TBA
W02253BLK	B/U Locking Nut 90mm Black		1	10	£7.08
W22117	Sand Drain Cap 90mm		1	11	TBA
W02249	O-Ring 90mm BU EDPM		1	12	£7.42
W02254B	Bulkhead Lock Nut 80mm Black		1	13	£4.14
W02250	Gasket 90mm Bulkhead Rubber		1	14	£8.54
W02252BL	Bulkhead Threaded Body 90mm Black Long		1	15	TBA
6209305	Drain Plug 50mm Complete Black		1	16	£45.75
W04058BLK	Drain Plug Complete 40mm Black	1		16	£81.86
W02270BLK	Drain Plug End Cap 40mm Black	1	1	17	£4.64
W02267	Drain Plug 40mm "O" Ring	1	1	18	£3.38
W02971	Drain Plug Body 50mm Black		1	19	TBA
W02269BLK	Drain Plug Body 40mm Black	1		19	£3.71
W02280	O Ring 50mm B/U Nitrile		1	20	£2.74
W02213	O Ring 40mm B/U EPDM	1		20	£3.56
620921	Lateral Waterco 75mm	1	1	21	TBA
6209251	Lateral End Cap Screw	1	1	22	TBA
W02567	Bulkhead Locking Ring 63mm BLK		1	23	£11.89
W02271BLK	Bulkhead Locknut 50mm Black	1		23	£4.33
W02080	Gasket 100 x 81 x 3mm Rubber		1	24	£12.87
W02268	Gasket 40mm Bulkhead	1		24	£8.07
W02970	Bulkhead Threaded Body 50mm Long Black		1	25	TBA
W02272BLK	Bulkhead Threaded Body 40mm Black	1		25	£3.35
W32284	Gland Nut Screw PG7	1		26	TBA
W32283	Gland Nut Stud	1	1	27	TBA
W32286	Air Bleed Rigid PVC Black	2.5	2.5	28	TBA
85251	Gulfstream Plug	1	1	29	£0.90
W02289	Air Relief Tube Screen	1	1	30	£4.92



Micron Horizontal Commercial Sand Filters

Commercial Horizontal Tables

Inlet / Outlet	Part No:	Description	M2500 (T-Style, Post 2011)	M3750 150mm (T-Style, Post 2011)	M5000 (T-Style, Post 2011)	MD5000 (T-Style, Post 2011)	MD5500 6" (T- Style, Post 2011)	MD5500 8" (T- Style, Post 2011)	MD6500 8" (T- Style, Post 2011)	MD8000 (T-Style, Post 2011)	MD10000 (T-Style, Post 2011)
Barrel Union Connection 4"	1	12221009	Barrel Union Lock Nut 100mm Black	2							
	2	12221011	Barrel Union Plain End 100mm Black	2							
	3	W02553	O Ring 100mm B/U Nitrile	2							
	4	12221006	Bulkhead Lock Nut 100mm Black	2							
	5	W02539	Gasket 100mm Bulkhead	2							
	6	12221007	Bulkhead Body 100mm Black	2							
Flange 6"	7	W12910	Nut Hex 3/4" BSW SS304		16	16	16	16			
	8	W12539	Washer M20 x 40mm x 3mm Flat S/S304		16	16	16	16			
	9	W22142	Flange Clamp Ring 6"		2	2	2	2			
	10	W22545	PVC Flange 6" ANSI SCH80 Vanstone NSF		6	4	4	4			
	11	W02251	Gasket HRZ Filter 280 x 4.5mm		6	6	6	6			
	12	W22140	Flange Inner Stud Ring 6" ANSI		2	2	2	2			
Flange 8"	7	W12910	Nut Hex 3/4" BSW SS304					16	16	16	
	8	W12539	Washer M20 x 40mm x 3mm Flat S/S304					16	16	16	
	9	W22343	Flange Clamp Ring 8"					2	2	2	
	10	W22936	PVC Flange 8" SCH80 Vanstone NSF					4	4	4	
	11	W12147	Gasket Flange PVC 343 x 5mm					6	6	6	
	12	W22342	Flange Inner Stud Ring 8" ANSI					2	2	2	
Flange 10"	7	W22959	Hex Nut 7/8" UNC SS316								24
	8	W22960	Washer 7/8" UNC SS316								24
	9	W22963	Flange Clamp Ring 10"								2
	10	W22877	PVC Flange 10" SCH80 Vanstone NSF								4
	11	W22228	Gasket Flange 10" ANSI								6
	12	W22962	Flange Inner Stud Ring 10" ANSI SS316								2

Micron Horizontal Commercial Sand Filters

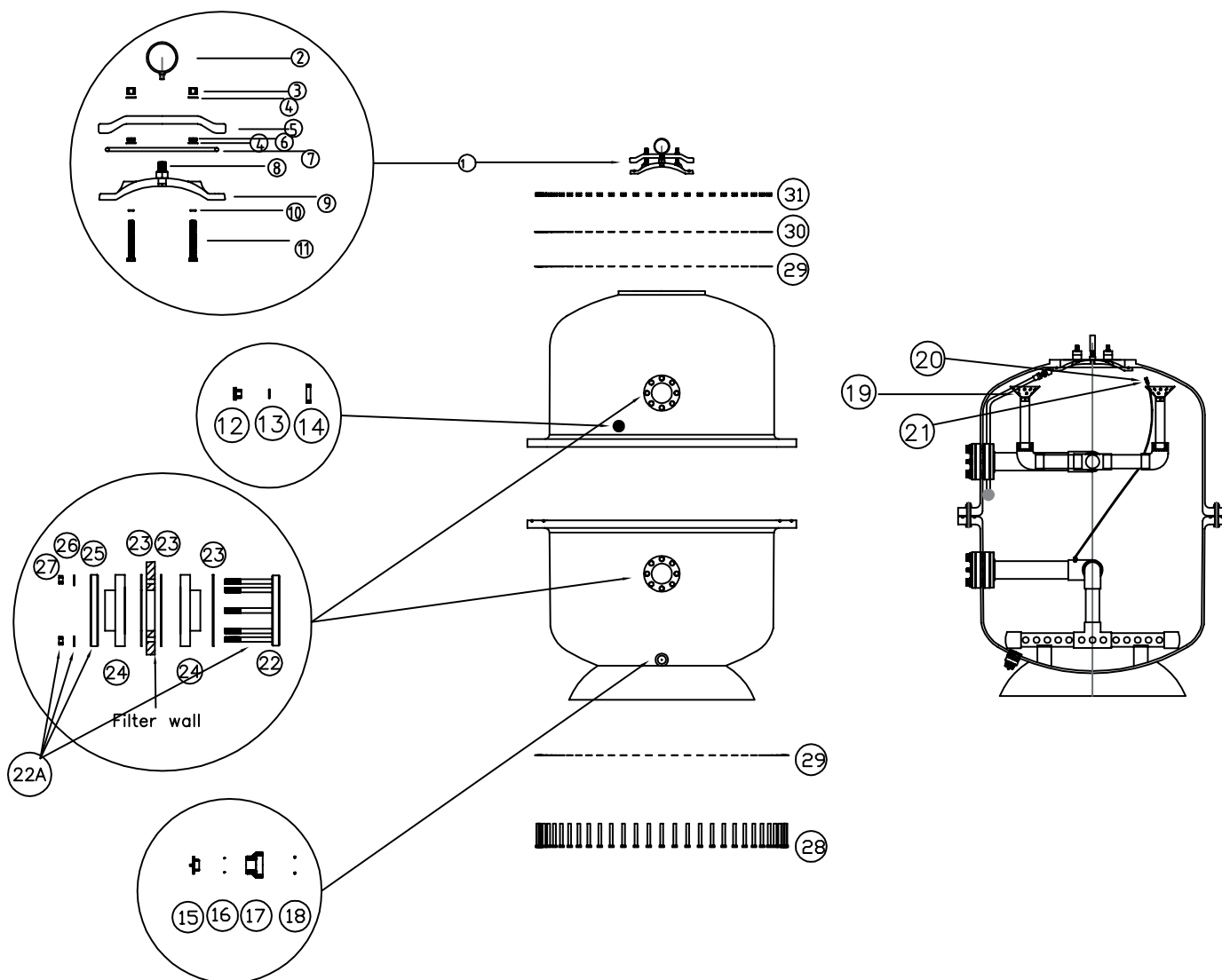
Funnels and Lateral Underdrain Table

	Funnel		Lateral Under Drain						
Part No:	W22224	W02214	620921	620922	620923	620924	6209251	W22540	W22539
Description	Funnel Plastic 3" Hydrodome	UWL Screw #8 x 5/8 S/S	75mm	110mm	145mm	200mm	End Cap Screw	Lateral Socket 11/2 BSP x 25mm PVC	TEE Lateral Thread x 25mm PVC
M2500 (T-Style, Post 2011)	3	9	-	4	-	64	34	16	16
M3750 150mm (T-Style, Post 2011)	6	18	-	-	6	134	70	34	34
M5000 (T-Style, Post 2011)	10	30	-	-	6	134	70	34	34
MD5000 (T-Style, Post 2011)	5	15	28	12	26	72	38	18	18
MD5500 6" (T-Style, Post 2011)	6	18	36	-	38	76	38	18	18
MD5500 8" (T-Style, Post 2011)	6	18	28	-	30	60	30	14	14
MD6500 8" (T-Style, Post 2011)	6	18	36	-	38	76	38	18	18
MD8000 (T-Style, Post 2011)	8	24	52	-	58	116	58	28	28
MD10000 (T-Style, Post 2011)	10	30	-	68	70	140	70	34	34
Flange Inner Stud Ring 10" ANSI SS316									2

Hydron Split Tank Filter

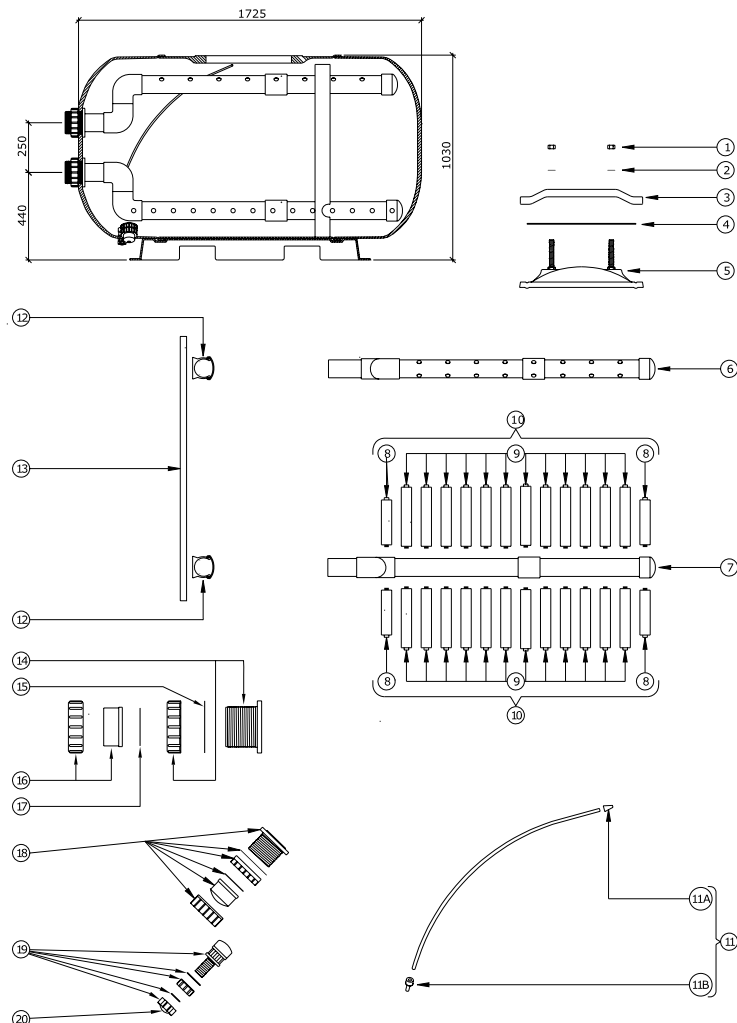
Part Number	Product Description	Diagram No.	LIST PRICE
W12720	Manhole cover 4 stud complete	1	£1,497.91
621621	pressure gauge dry 6KPA/90psi - bottom mount	2	£189.24
W12127	Hex nut M16 (4 Req.)	3	£7.98
W12126	Washer M16 s/s304 (8 Req.)	4	£1.18
6209430	Lid yoke Lacron (2 Req)	5	£110.18
W12324	Hex thin nut (4 Req.)	6	£12.52
620266	O-ring Manhole Cover Oval 4-stud	7	£8.07
W12724	s/s screw 1" BSW male 1/4" BSP Female thread	8	£140.82
W12722	Manhole Oval 4 stud	9	£581.30
W12301	O-ring BS113 (4 Req.)	10	£0.31
W12125	Hex Bolt (4 Req.)	11	£20.86
W22348	End Plug 3/4" BSP	12	£17.00
72591213	o-ring BS213	13	£0.95
W22349	Lock nut 1/2" BSP	14	£15.89
W02270BLK	Drain Plug 40mm Cap	15	£4.64
W02267	Drain Plug o-ring 40mm	16	£3.38
W02269BLK	Drain Plug Body 40mm	17	£3.71
W02213	o-ring B/U 40mm	18	£3.56
W02066	Funnel for side mount filters (3" & 4" / 90mm & 110mm)	19	£11.23
621013	Funnel for side mount filters (6" / 160mm)	19	£64.67
W02289	Air relief tube screen	20	£4.92
85251	Gulfstream plug (2 Req.)	21	£0.90
W22161	Steel flange 3" port	22A	£927.22
W22139	Inner flange stud ring 4" port (2 Req.)	22	£260.41
W22140	Inner flange stud ring 6" port (2 Req.)	22	£335.10
1216801	Flange Gasket 3" (6 Req.)	23	£6.65
63453063	Flange Gasket 4" (6 Req.)	23	£31.68
W02251	Flange Gasket 6" (6 Req.)	23	£31.04
1216803	PVC Stud flange 3" (2 Req.)	24	£114.58
12161004	PVC Stud flange 4" (2 Req.)	24	£119.19
W12540	PVC Stud flange 6" (2 Req.)	24	£157.95
W22141	Flange clamp ring 4"	25	£41.90
W22142	Flange clamp ring 6"	25	£45.12
W12126	Washer M16 Full face (3" & 4") (16 Req.)	26	£1.18
W12539	Washer M20x40x3 (6") (16 Req.)	26	£2.92
W12912	Hex nut (3" & 4") (16 Req.)	27	£6.32
W12910	Hex nut (6") (16 Req.)	27	£6.48
W12090	Bolt 3/4" BSW x 5.5" THRD 50mm	28	£68.95
		60 Req. for 1200 & 1400 72 Req. for 1600 90 Req. for 1800	
W12539	Washer -flat	29	£2.93
		120 Req. for 1200 & 1400 144 Req. for 1600 180 Req. for 1800	
W22422	Spring washer M20	30	£1.30
		60 Req. for 1200 & 1400 72 Req. for 1600 90 Req. for 1800	
W12910	Hex Nut 3/4"BSW SS304	31	£6.48
		60 Req. for 1200 & 1400 72 Req. for 1600 90 Req. for 1800	

Hydron Split Tank



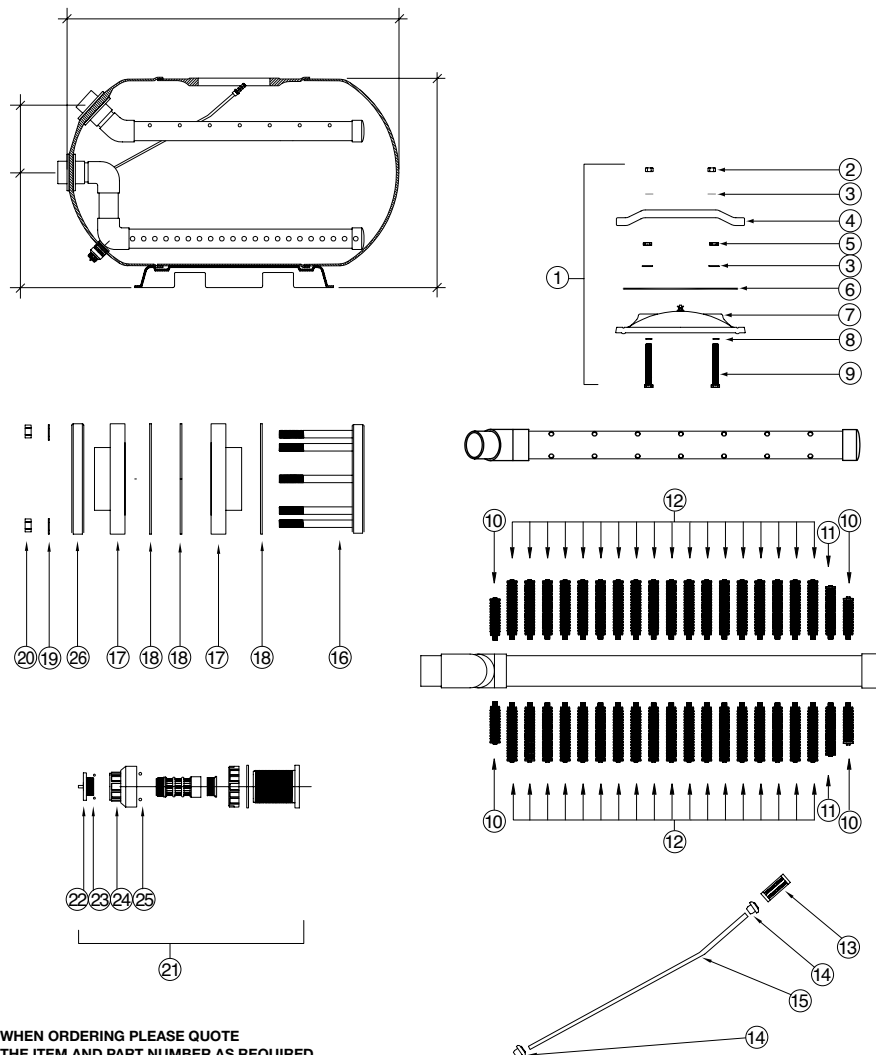
Lacron HZC - 36

Part Number	Product Description	Diagram No.	LIST PRICE
1762	M16 S/S Hex Nut	1	£3.21
1769	M16 S/S Washer (Pack Of 5)	2	£6.47
6209430	Lacron Lid Yoke Each	3	£110.18
2611A	Lacron Oval Lid 'O' Ring (Old Square)	4	£55.20
620266	Lacron Oval Lid 'O' Ring (New Round)	4A	£8.07
W12722	Lacron 4 Stud Oval Lid	5	£581.30
W12308	Manhole Lid 4 Stud Complete With Yoke, Nuts, Bolts 'O' Ring	1 to 5	£611.58
1387F	HZC 36 Header Assy Complete	6	£4.65
1387E	HZC 36 Underdrain Assy Complete	7	£543.70
1319	Heavy Duty Laterals 206mm (X 4 required per filter)	8	£21.33
1320	Heavy Duty Laterals 238mm (X 24 required per filter)	9	£24.03
1387J	Heavy Duty Lateral Set Complete	10	£595.48
17104A	HZC 36 Airbleed Assy Complete	11	£47.46
W12045	Airbleed Cap	11A	£4.00
1474	1/4" Airbleed Adaptor Fixing	11B	£20.71
2613	3" Pipe Clamp Set Complete (Each)	12	£14.67
2618	1 M Variable Brace Bar	13	£65.59
6017 (W02252B + W2254B)	3" Bulkhead & Nut	14	£48.00
1560	3" Bulkhead Gasket (Set Of 2)	15	£17.09
6018 (W02253BLK / W02255BLK / W02255EBLK)	3"/90mm Adaptor Union (Plus Sleeve) 'O' Ring Type	16	£39.52
6020 (1559)	3"/90mm Adaptor Gasket (Set Of 2) Pre 2007	17	£14.41
6020A	3"/90mm Adaptor o ring (Set Of 2) Post 2007	17	£14.27
W04058BLK	Drain plug complete 40mm black	18	£81.86
6001 (W02026BLK)	Drain Plug Complete	19	£16.31
W02026ABLK	Drain Plug Cap	20	£5.70



Lacron HZC - 42

Part Number	Product Description	Diagram No.	LIST PRICE
W12303	Manhole Cover 4-Stub Oval Lido Blue Complete	1	£598.75
W12127	Nut Hex M16 S/S304	2	£7.98
W12126	Washer M16 S/S304	3	£1.18
6209430	Lid Yoke Lacron	4	£110.18
W12324	Hex Thin Nut S/S M16	5	£12.52
620266	O-Ring M/H Cover 4-Stub Lacron L2611A	6	£8.07
W12772	Manhole Cover 4-Stub w Air Relief Valve	7	£581.30
W12301	ORing BS113	8	£0.31
W12125	Bolt Hex Full Thread M16 x 120 S/S304	9	£20.86
1319 (W12232)	Heavy Duty Candle 206mm L1319 (4 required per filter)	10	£21.33
1275 (W12229)	Heavy Duty Candle 268mm L1275 (2 required per filter)	11	£26.68
1277 (W12230)	Heavy Duty Candle 300mm L1277 (36 required per filter)	12	£27.23
W02289	Air Relief Tube Screen	13	£4.92
85251	Gulfstream Plug	14	£0.89
W02558	Air Bleed Tube (1m length)	15	£18.12
W22139	Flange Stud Ring 4" ANSI	16	£260.41
12161004	PVC Stud Flange 4" ANSI (gf-PP Ring)	17	£119.20
63453063	Flange Gasket 4" ANSI	18	£31.68
W12126	Washer M16 Full S/S304	19	£1.18
W12912	Nut Hex 5/8" BSW SS304	20	£6.32
W04058BLK	Drain Plug Complete 40mm Black	21	£81.86
W02270BLK	Drain Plug End Cap 40mm Black	22	£4.64
W02267	Drain Plug 40mm O-Ring	23	£3.38
W02269BLK	Drain Plug Body 40mm Black	24	£3.71
W02213	O-Ring 40mm B/U EPDM	25	£3.56
W22141	Flange Clamp Ring 4" ANSI	26	£41.90



Lacron LSC - 36 - 3

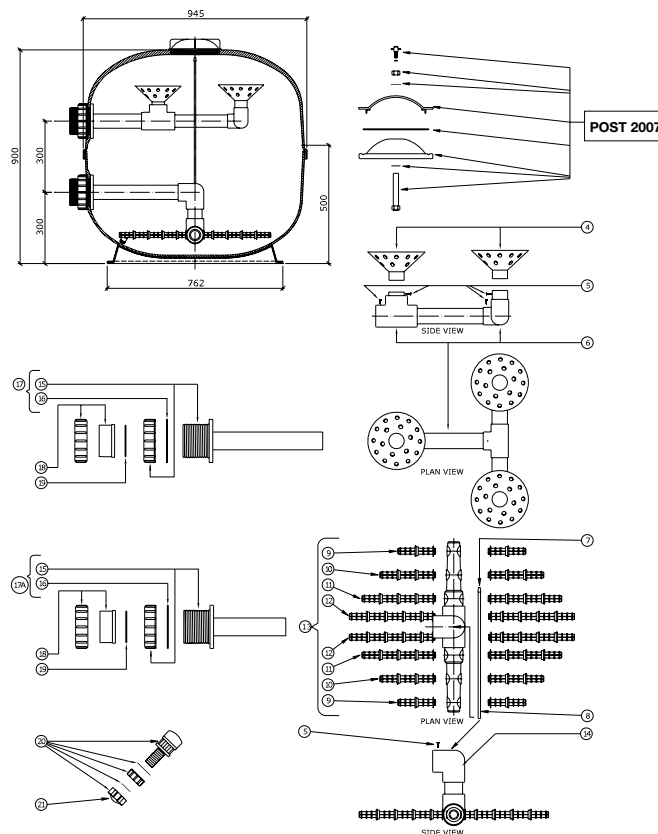
Part Number	Product Description	Diagram No.	LIST PRICE
1671	3/4" Self Tap Screw (Pack Of 10)	5	£6.73
W02289	Air Relief Tube Screen	7	£4.92
W04058BLK	40mm Drain Plug Complete	20	£81.86
17104 (W02550)	36" Lacron Airbleed (740mm)	8	£14.16
1388A (W12292)	36" - 3" Header (Less Rose)	6	£242.77
W02066	Rose Distributor (Funnel For SM)	4	£11.23
W02249	O Ring For 3" / 90mm Half Union	19	£7.42
634080EBLK	Half Union 90mm metric C/W O Ring	18+19	£31.39
6017 (W02252B + W2254B)	Bulkhead 3" Bulkhead Fitting (Plus Nut)	15	£48.00
1388 (W12295)	Underdrain Complete Less Candles	14	£253.42
6007 (W02985)	120mm Lateral (Candle) (X 4 required per filter)	9	£10.62
6008 (W02984 + W02991)	180mm Lateral (Candle) (X 4 required per filter)	10	£11.75
6009 (W02991 + W02985)	240mm Lateral (Candle) (X 4 required per filter)	11	£12.80
6010 (W02991 + W02986)	280mm Lateral (Candle) (X 4 required per filter)	12	£14.24
85251	Gulf Stream Plug	n/s	£0.90
W04854	36" Base Stand	n/s	£68.66
6018 (W02253BLK / W02255BLK / W02255EBLK)	half union 3" imperial c/w o ring	18+19	£39.52
6020 (1559)	3"/90mm Adaptor Gasket (Set Of 2) Pre 2007	19	£14.41
W02249	3"/90mm Adaptor 'O' Ring (Set Of 2) Post 2007	19	£0.00
W02026BLK	Drain Plug Complete 15mm	20	£81.86
W04058BLK	Drain plug complete 40mm	20	£81.86

For filters supplied prior to Clamp Style Lid

6012 (1304A)	Lacron Lid Removal Tool (8" New Type)	£48.81
6000 (6209292)	Lacron Lid (Polycarbonate 8" New Type)	£74.50
6011 (1316)	Lacron Lid 'O' Ring	£12.63

Post 2007 'Clamp Lid'

W12076	Nylon Air Relief Tap + 'O' Ring	£11.82
W12248	Lid Retaining Clamp C/W Screw & Nut	£59.05
W02933	Small Oval Lid O Ring	£6.54
W12135	Small Oval Lid	£129.12



Lacron LSC - 42

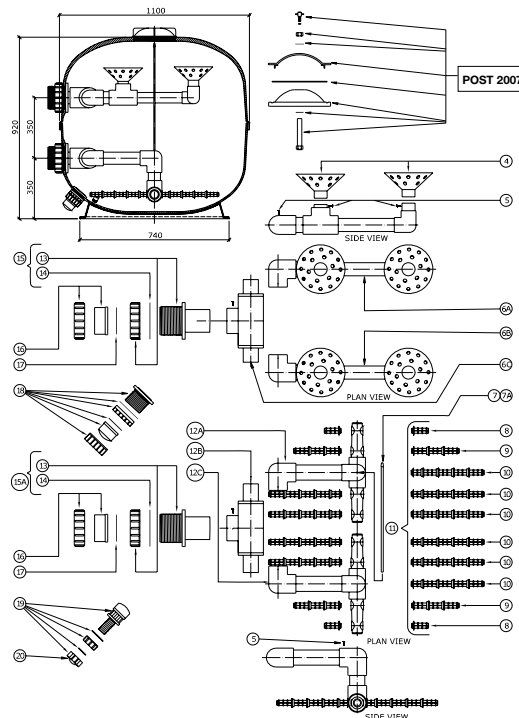
Part Number	Product Description	Diagram No.	LIST PRICE
85251	Gulf Stream Plug	n/s	£0.90
W02066	Rose Distributor	4	£11.23
1671	3/4" Self Tap Screw (Pack Of 10)	5	£6.73
1372 (W22204)	42" Lhs Header (Less Rose)	6A	£231.60
1372A (W22746)	42" Rhs Header (Less Rose)	6B	£99.25
1372B (W12287)	42" Main Header 'T'	6C	£139.81
W12045	Air Bleed Cap. Also order 1 x 85251 Rubber Grommit @ £0.85	7	£4.00
17105	42" Lacron Airbleed	7A	£14.61
6006 (W02984)	60mm Lateral (Candle) (X 4 required per filter)	8	£9.84
6008 (W02984 + W02991)	180mm Lateral (Candle) (X 4 required per filter)	9	£11.75
6010 (W02991 + W02986)	280mm Lateral (Candle) (X 12 required per filter)	10	£14.24
1396	Lateral (Candle) Set	11	£234.47
1371 (W12288)	42" Lhs Underdrain (Less Candles)	12A	£118.97
1371B (W12289)	42" Main Underdrain 'T' & Con Pipe	12B	£139.81
1371A (W12290)	42" Rhs Underdrain (Less Candles)	12C	£118.97
6017 (W02252B + W2254B)	3" Bulkhead Fitting (Plus Nut)	13	£48.00
6019 (1560)	3" Bulkhead Gasket (Set Of 2)	14	£17.09
1525A	42" - 3" Bulkhead Fitting (Top)	15	£56.96
1525B	42" - 3" Bulkhead Fitting (Bottom)	15A	£58.69
6018 (W02253BLK / W02255BLK / W02255EBLK)	3"/90mm Adaptor Union (Plus Sleeve) 'O' Ring Type	16	£39.52
6020 (1559)	3"/90mm Adaptor Gasket (Set Of 2) Pre 2007	17	£14.41
6020A	3"/90mm Adaptor 'O' Ring (Set Of 2) Post 2007	17	£14.27
W04058BLK	Sand Drain Complete 40mm	18	£81.86
6001 (W02026BLK)	Drain Plug Complete	19	£16.31
W02270BLK	Drain Plug Cap 40mm	20	£4.64
W04846	42" Base Stand	n/a	£45.15

For filters supplied prior to Clamp Style Lid

6012 (1304A)	Lacron Lid Removal Tool (8" New Type)	£48.81
6000 (6209292)	Lacron Lid (Polycarbonate 8" New Type)	£74.50
6011 (1316)	Lacron Lid 'O' Ring	£12.63

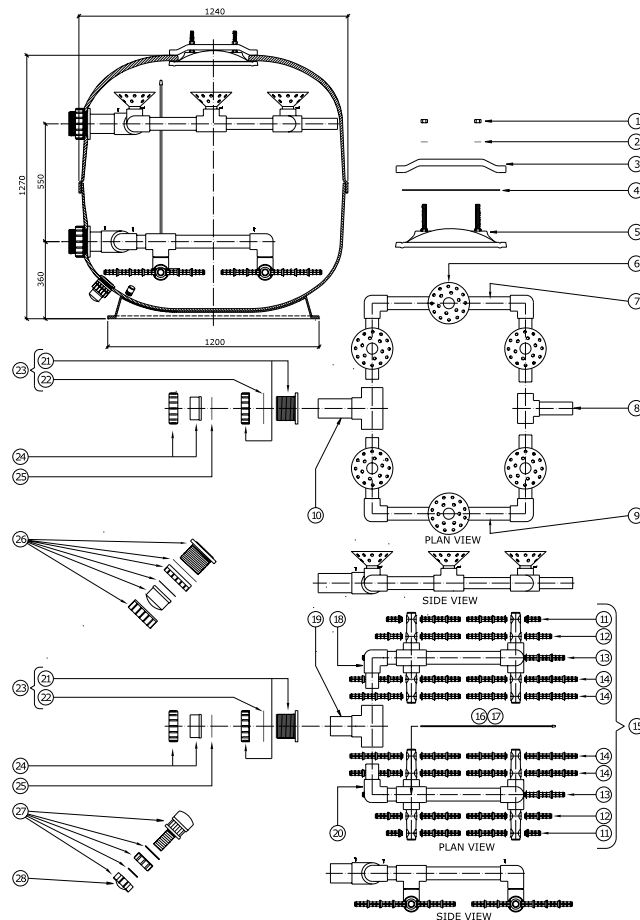
Post 2007 'Clamp Lid'

W12076	Nylon Air Relief Tap + 'O' Ring	£11.82
W12248	Lid Retaining Clamp C/W Screw & Nut	£59.05
W02933	Small Oval Lid O Ring	£6.54
W12135	Small Oval Lid	£129.12



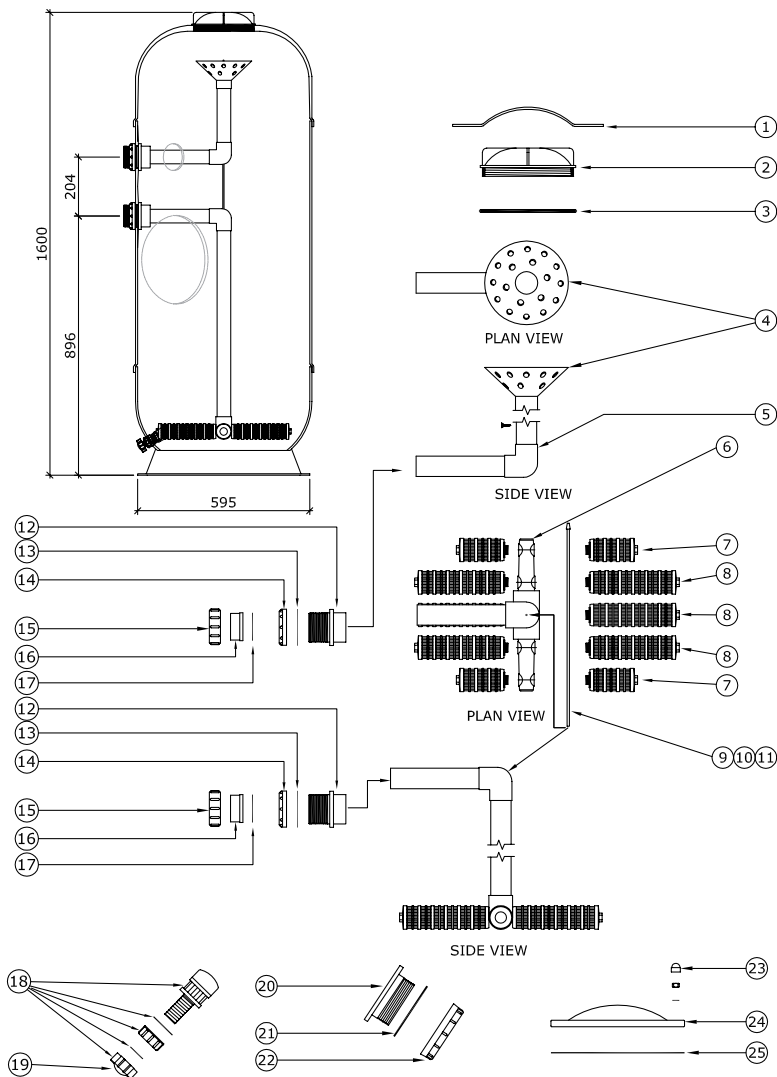
Lacron LSC - 48

Part Number	Product Description	Diagram No.	LIST PRICE
W12076	Nylon Air Relief Tap + 'O' Ring	1	£11.82
W12248	Small Oval Lid Retaining Clamp C/W Screw & Nut	3	£59.04
1993 (W12284)	Small Oval Lid 'O' Ring	4	£16.00
W12135	Small Oval Lid	5	£129.13
W02066	Rose Distributor	6	£11.23
17401 (W12344)	48" LHS Header (Less Rose)	7	£149.37
17403 (W12346)	48" Main Header Pipe Support 'T'	8	£4.65
17402 (W12345)	48" RHS Header (Less Rose)	9	£149.37
17404 (W12347)	48" Main Header Pipe Inlet 'T'	10	£157.40
6006 (W02984)	60mm Lateral (Candle) (X 4 required per filter)	11	£9.84
6007 (W02985)	120mm Lateral (Candle) (X 4 required per filter)	12	£10.62
6008 (W02984 + W02991)	180mm Lateral (Candle) (X 24 required per filter)	13	£11.75
6009 (W02991 + W02985)	240mm Lateral (Candle) 9 X 8 required per filter)	14	£12.80
1396A	48" Lacron Lateral (Candle) Set	15	£234.48
W12045	Air Bleed Cap. Also order 1 x 85251 Rubber Grommit @ £0.85	16	£4.00
17106	48" Lacron Airbleed (Set Of 2)	17	£14.74
17405 (W12348)	48" LHS Underdrain (Less Candles)	18	£146.75
17407 (W12350)	48" Main Underdrain 'T' & Con Pipe	19	£184.08
17406 (W12349)	48" RHS Underdrain (Less Candles)	20	£146.75
6017 (W02252B + W02254B)	3" Bulkhead Fitting (Plus Nut)	21	£48.00
6019 (1560)(W02250)	3" Bulkhead Gasket (Set Of 2)	22	£17.09
1524C	48" - 3" Bulkhead Fitting Inc Pipe	23	£65.37
6018 (W02253BLK / W02255BLK / W02255EBLK)	3"/90mm Adaptor Union (Plus Sleeve) 'O' Ring Type	18	£39.52
6020 (1559)	3"/90mm Adaptor Gasket (Set Of 2) Pre 2007	19	£14.41
6020A	3"/90mm Adaptor 'O' Ring (Set Of 2) Post 2007	19	£14.27
W04058BLK	Sand Drain Complete 40mm	26	£81.86
6001 (W02026BLK)	Drain Plug Complete 15mm	27	£16.31
W02270BLK	Drain Plug Cap 40mm	28	£4.64
1671	3/4" Self Tap Screw (Pack Of 10)	29	£6.73



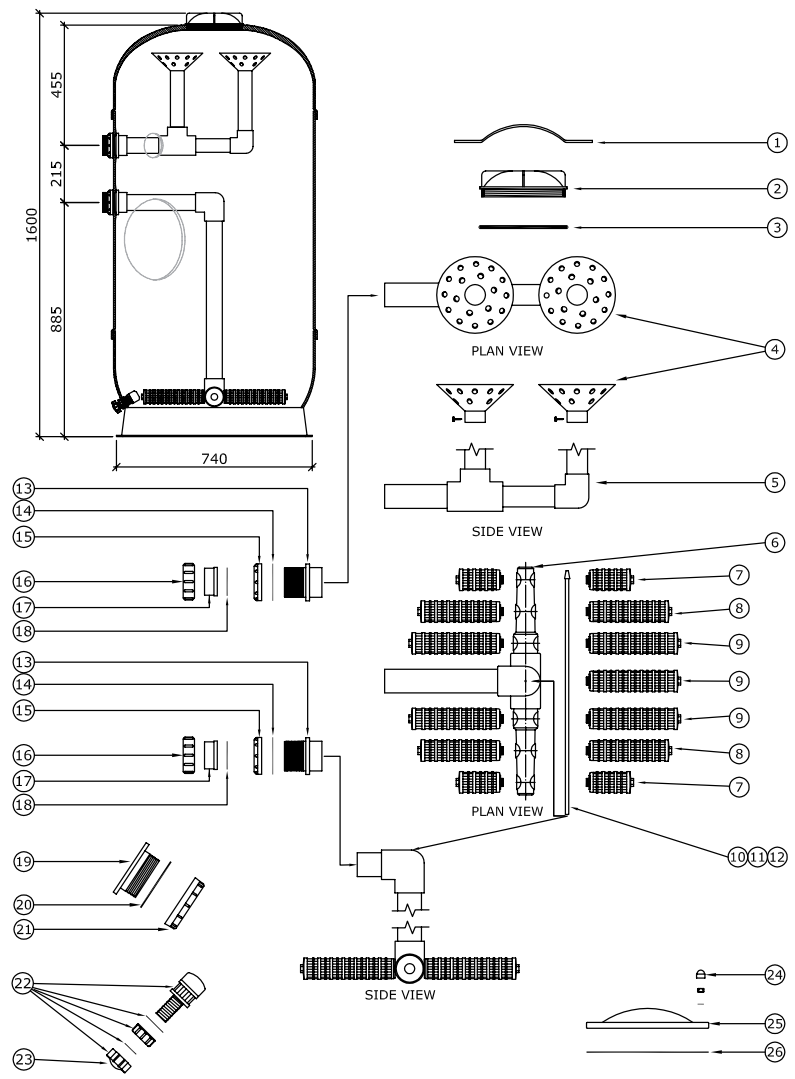
Lacron MBF - 24

Part Number	Product Description	Diagram No.	LIST PRICE
W22235	Lid Tool	1	£18.62
6000	8" Clear Lid	2	£74.50
6011	O-Ring for 8" Clear Lid	3	£12.64
W02066	Rose Distributor	4	£11.23
121340	Elbow 1 1/2" x 90 Deg	5	£5.40
1318 (W12088)	LCT Extension 1 1/2" x 2 Holes	6	£6.96
1319 (W12231)	113mm Heavy Duty Lateral	7	£13.37
1320 (W12232)	206mm Heavy Duty Lateral	8	£21.33
W02550 (17131)	Air Bleed Tube 740mm	9	£17.38
W02289	Air Relief Tube Screen	10	£4.92
85251	Gulf Stream Plug	11	£0.89
W02272BLK	Bulkhead Threaded Body 50mm Black	12	£3.35
W02268	Gasket 50mm Bulkhead	13	£8.07
W02271BLK	Bulkhead Locknut 50mm Black	14	£4.33
W02209BLK	B/U Locking Nut 50mm	15	£2.10
W02210BLK	B/UP / End 50mm Black	16	£2.10
W02213	O-Ring 50mm B/U EPDM	17	£3.57
W02026BLK	Drain Plug Complete 15mm	18	£16.31
W02522C	Drain Plug Wing Nut 15mm	19	£6.81
W22314	Sight Glass 50mm Moulded	20	£11.96
W02080	Gasket 100 x 81 x 3mm Rubber	21	£12.87
W02567	Bulkhead Locking Ring 50mm BLK	22	£11.89
W12236	Cap Black M8 Nut Lacron L1766	23	£1.10
W12050	Lid 10-Hole black - without centre hole	24	£78.20
W12216	O-Ring G210 (5.7 x 209.3mm)	25	£10.12



Lacron MBF - 30

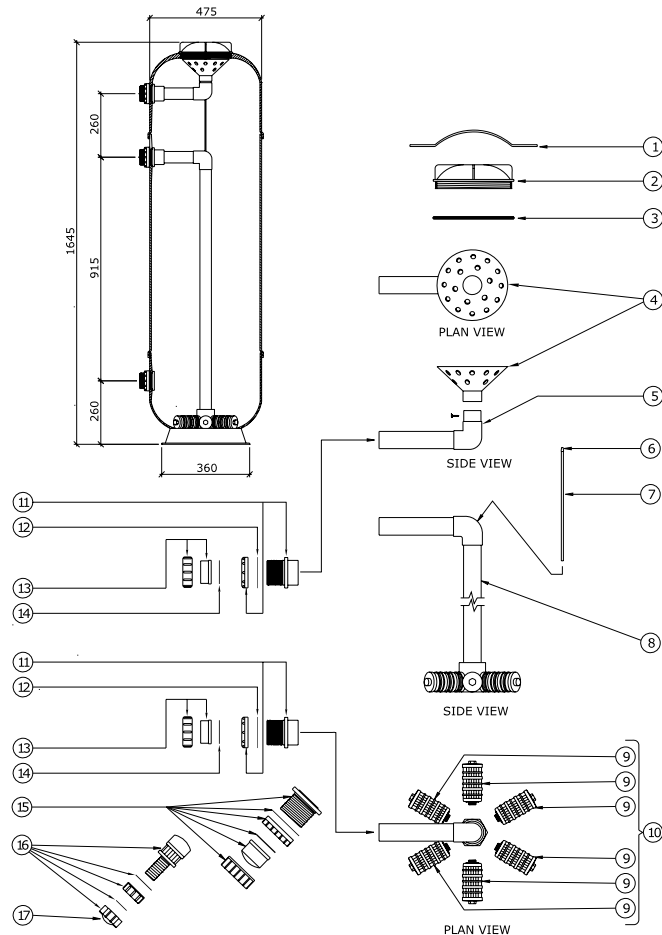
Part Number	Product Description	Diagram No.	LIST PRICE
W22235	Lid Tool	1	£18.62
6000	8" Clear Lid	2	£74.50
6011	O-Ring for 8" Clear Lid	3	£12.64
W02066	Rose Distributor	4	£11.23
121340	Elbow 1 1/2" x 90 Deg	5	£5.40
W12089	LCT Extension 2" x 3 Holes	6	£12.72
1318 (W12231)	113mm Heavy Duty Lateral (4 required per filter)	7	£13.37
1319 (W12232)	206mm Heavy Duty Lateral (4 required per filter)	8	£21.33
1320 (W12233)	237mm Heavy Duty Lateral (8 required per filter)	9	£24.02
W02550	Air Bleed Tube 740mm	10	£3.44
W02289	Air Relief Tube Screen	11	£4.92
85251	Gulf Stream Plug	12	£0.89
W12067	Bulkhead Body 2" Lacron 1268A	13	£8.80
W12252	Gasket Bulkhead 2" Lacron L1521	14	£13.60
W12066	Bulkhead Locking Nut 2" Lacron 1268A	15	£8.79
W02982	B/U Locking Nut 2" Lacron 1270A	16	£8.63
W02983	B/U Plain End S/S 2" Lacron 1270B	17	£5.11
W12253	B/U Gasket 2" Lacron L1523	18	£2.76
W22314	Sight Glass 50mm Moulded	19	£11.96
W02080	Gasket 100 x 81 x 3mm Rubber	20	£12.87
W02567	Bulkhead Locking Ring 50mm Blk	21	£11.89
W02026BLK	Drain Plug Complete 15mm	22	£16.31
W02522C	Drain Plug Wing Nut 15mm	23	£6.81
W12236	Cap Black M8 Nut Lacron L1766	24	£1.10
W12050	Lid 10-Hole black	25	£78.20
W12216	O-Ring G210 (5.7 x 209.3mm)	26	£10.12



Lacron DBF - 18

Part Number	Product Description	Diagram No.	LIST PRICE
6012 (1304A)	Lacron Lid removal tool (new type - 8")	1	£48.81
6000	Lacron Lid (new type 8")	2	£74.50
6011	Lacron Lid 'O' ring	3	£12.64
W02066	Rose distributor	4	£11.23
17160	18" x 1 1/2" Header (less rose)	5	£231.60
W12045	Air bleed cap (old style)	6	£4.00
17130	18" DBF airbleed tube	7	£12.95
1365B	18" Underdrain (less candles)	8	£4.65
1318 (W12231)	113mm Heavy duty Lateral (candle) (X 6 required per filter)	9	£13.36
1393B	18" DBF Lateral (candle) set	10	£65.59
POST 2004			
6013 (W02989 + W02271BLK)	1 1/2" Bulkhead fitting including nut	11	£25.60
6015 (1520)	1 1/2" Bulkhead gasket (set of two)	12	£11.75
6021 (W02981 + W02980)	1 1/2" Union adaptor & nut (set of 2)	13	£22.58
6004 (1522)	1 1/2" Union adaptor gasket (set of 2)	14	£7.15
W04058BLK	1 1/2" Sand drain complete	15	£81.86
6001 (W02026BLK)	Drain plug complete	16	£16.31
W02522C	Drain plug cap only	17	£6.82
1671	3/4" S/S self tapping screw (set of 10)	18	£6.73
W12050	Side Hatch Cover		£78.21
1315 (W12216)	Side Hatch Cover 'O' Ring		£9.64
CLAMP LID			
W12076	NYLON AIR RELIEF TAP + 'O' RING		£11.82
W12248	LID RETAINING CLAMP c/w SCREW & NUT		£59.05
W02933	SMALL OVAL LID O RING		£16.00
W12135	SMALL OVAL LID		£129.12

PLEASE NOTE: 1 1/2" Lacron filters manufactured pre 2006 will have union adaptors (Barrel Unions with **flat gaskets**)
 1 1/2" Lacron filters manufactured post 2006 will have union adaptors (Barrel Unions) with 'O' rings

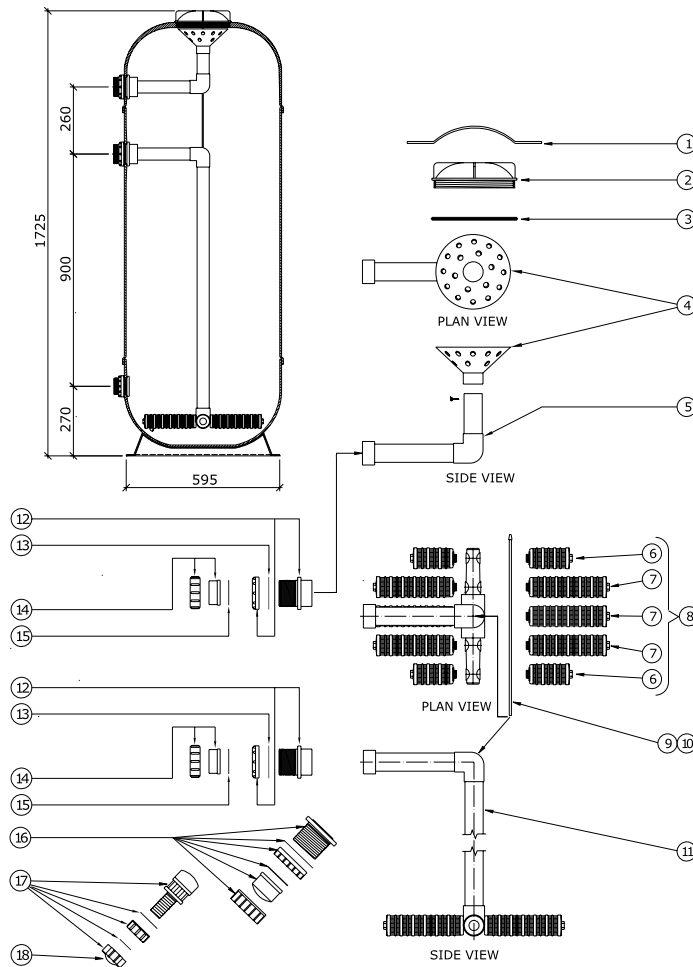


Lacron DBF - 24

Part Number	Product Description	Diagram No.	LIST PRICE
6012 (1304A)	Lacron Lid removal tool (new type - 8")	1	£48.81
6000	Lacron Lid (new type 8")	2	£74.50
6011	Lacron Lid 'O' ring	3	£12.64
W02066	Rose distributor	4	£11.23
1368	24" - 2" Header (less rose)	5	£47.46
1318 (W12231)	113mm Heavy duty Lateral (candle) (X 4 required per filter)	6	£13.37
1319 (W12232)	206mm Heavy duty lateral (candle) (X 6 required per filter)	7	£21.33
1394B	24" DBF - Lateral (candle) set	8	£105.86
W12045	Air bleed cap (old type)	9	£4.00
17131	Airbleed tube	10	£17.38
1382	1.5" Underdrain (less candles)	11	£141.40
6014A (W12065 + 1472)	2" Bulkhead fitting including nut	12	£30.55
6016 (1521)	2" Bulkhead gasket (set of two)	13	£29.90
6022 (W02983 + W02982)	2" Union adaptor inc sleeve (set of 2)	14	£28.60
6005 (1523)	2" Union adaptor gasket (set of 2)	15	£11.75
W04058BLK	1.5" Sand drain complete	16	£81.86
6001 (W02026BLK)	Drain plug complete	17	£16.31
W02522C	Drain plug cap only	18	£6.82
1671	3/4" S/S self tapping screw (set of 10)		£6.73
W12050	10 Hole side hatch cover		£78.21
W12216	10 Hole Cover 'O' Ring		£10.12

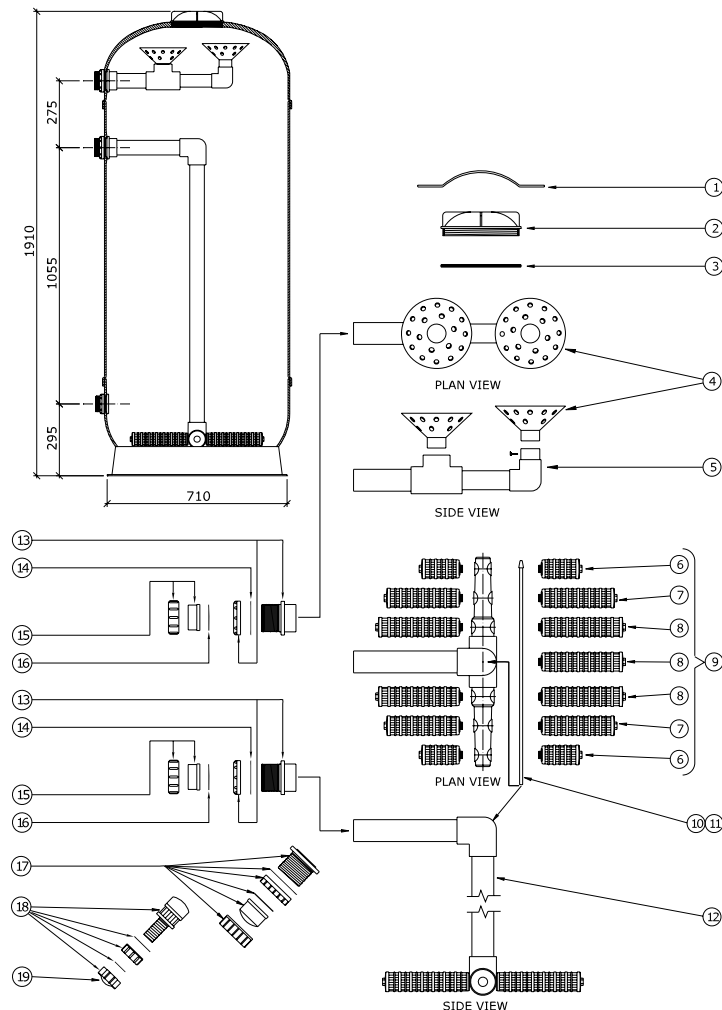
CLAMP LID

W12076	NYLON AIR RELIEF TAP + 'O' RING	£11.82
W12248	LID RETAINING CLAMP c/w SCREW & NUT	£59.05
1993 (W02933)	SMALL OVAL LID O RING	£16.00
W12135	SMALL OVAL LID	£129.12



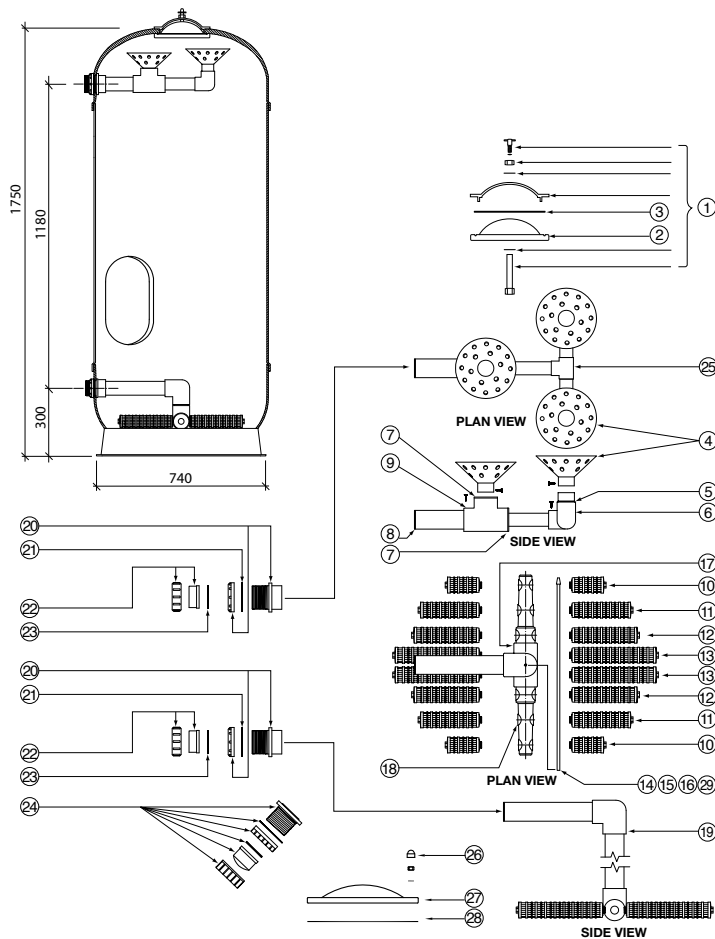
Lacron DBF - 30"

Part Number	Product Description	Diagram No.	LIST PRICE
6012 (1304A)	Lacron Lid removal tool (new type - 8")	1	£48.81
6000	Lacron Lid (new type 8")	2	£74.50
6011	Lacron Lid 'O' ring	3	£12.64
W02066	Rose distributor (each)	4	£11.23
1370	30" - 2" Header (less rose)	5	£231.60
1318 (W12231)	113mm Heavy duty Lateral (candle) (X 4 required per filter)	6	£13.36
1319 (W12232)	206mm Heavy duty lateral (candle) (X 4 required per filter)	7	£21.33
1320 (W12233)	238mm Heavy duty lateral (candle) (X 6 required per filter)	8	£4.65
1395B	30 x 2" DBF - Lateral (candle) set	9	£254.59
W12045	Air bleed cap (old type)	10	£4.00
17131	30" DBF airbleed tube	11	£17.38
1383	2" Underdrain (less candles)	12	£169.15
6014	2" Bulkhead fitting including nut	13	£30.55
6016 (1521)	2" Bulkhead gasket (set of two)	14	£29.89
6022 (W02983 + W02982)	2" Union adaptor inc sleeve (set of 2)	15	£28.60
6005 (1523)	2" Union adapter gasket (set of 2)	16	£11.75
W04058BLK	1 1/2" Sand drain complete	17	£81.86
6001 (W02026BLK)	Drain plug complete	18	£16.31
W02522C	Drain plug cap only	19	£6.82
1671	3/4" S/S self tapping screw (set of 10)	n/s	£6.73
W12050	Side Hatch Cover		£78.21
W12216	Side Hatch Cover 'O' Ring		£11.23
CLAMP LID			
W12076	NYLON AIR RELIEF TAP + 'O' RING		£11.82
W12248	LID RETAINING CLAMP c/w with screw and nut		£59.05
W02933 (1993)	SMALL OVAL LID 'O' RING		£16.00
W12135	SMALL OVAL LID		£129.12



Lacron DBF - 36

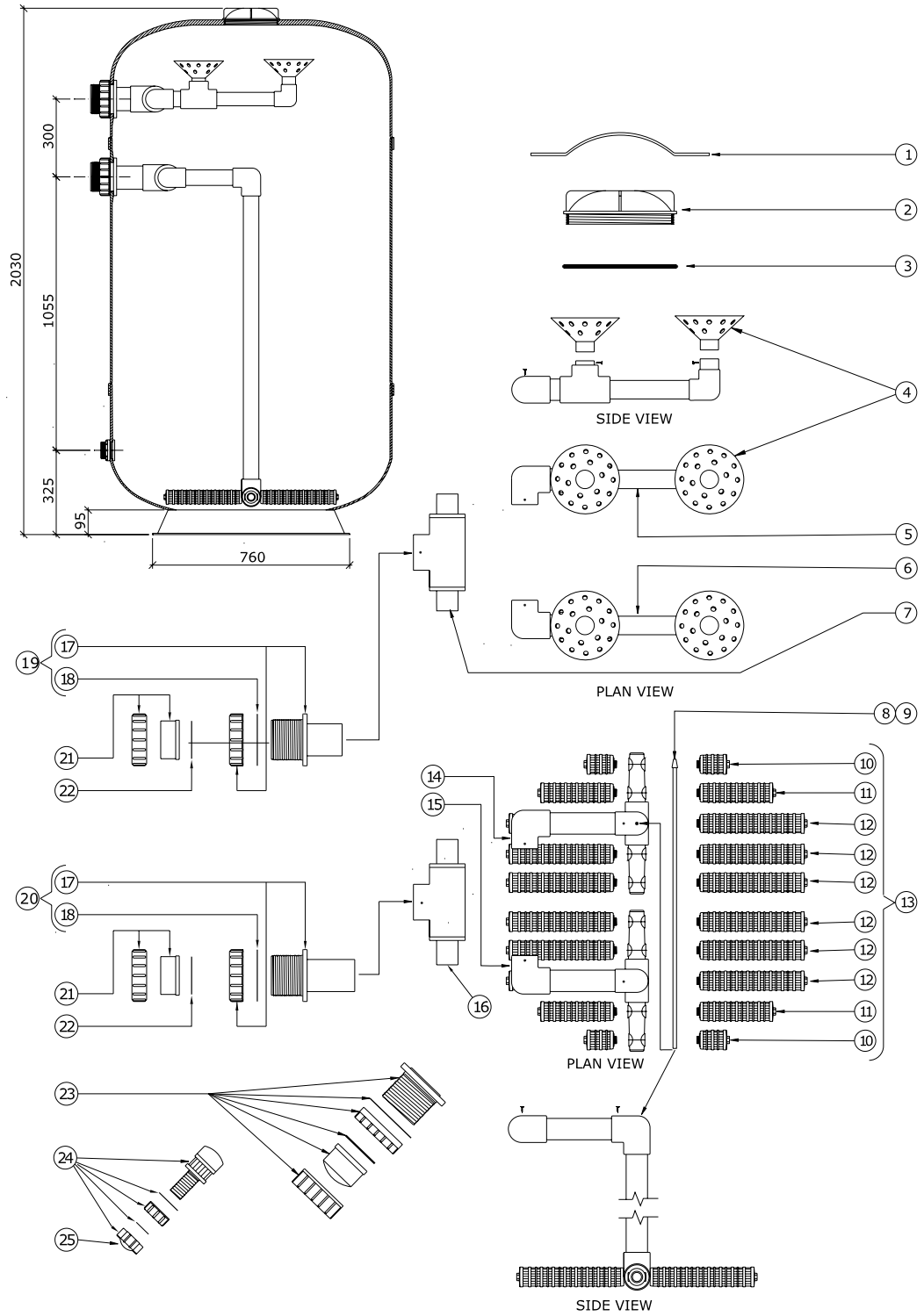
Part Number	Product Description	Diagram No.	LIST PRICE
W12248	9" x 6" Clamp Assembly (inc. nuts, washers, clamp & airtap)	1	£59.04
W12135	9" x 6" Lid Oval	2	£129.13
W02933	O-ring G225	3	£6.54
W02066	Rose distributor	4	£11.23
12555BLK	Reducing bush 2" x 1 1/2"	5	£231.60
121350	Elbow 50mm	6	£5.06
12566	Reducing Bush 65 x 50	n/s	£9.00
12588	Reducing bush 3" x 2 1/2"	n/s	£4.65
121962	Tee 65mm	9	£5.96
1318 (W12231)	113mm Heavy Duty Lateral (candle) (X 4 required per filter)	10	£13.36
1319 (W12232)	206mm Heavy Duty Lateral (candle) (X 6 required per filter)	11	£21.33
1320 (W12233)	238mm Heavy Duty Lateral (candle) (X 6 required per filter)	12	£24.03
1275 (W12229)	268mm Heavy Duty Lateral (candle) (X 4 required per filter)	13	£26.68
1395C	36" DBF - Lateral (candle) set		£279.75
W02289	Air relief tube screen	14	£4.92
85251	Gulf stream plug	15	£0.89
W02558	Air bleed tube	16	£18.12
W12297	Tapped Tee 2 1/2"	17	£21.16
W12089	LCT extension 3 hole	18	£12.72
121365	Elbow 65mm	19	£4.10
W12955	Bulkhead Body + Lock Nut 3" Blk	20	£48.00
W02250	Gasket Bulkhead Body 3"	21	£8.54
W12954	B/U Lock But + Plain End 3" Black	22	£39.52
W02249	O-ring 3" B/U	23	£7.42
W04058BLK	Drain Plug Complete 40mm Complete	24	£81.85
121950	Tee 50mm	25	£4.40
W12956	Black Cap Nut M12	26	£29.85
W12311 (W12310)	Large Oval Hatch 18-Hole	27	£212.55
W12300	Gasket Oval 18-Hole	28	£37.70
W22173	Gland PG7 (3 - 6.5)	26	£7.75



Lacron DBF - 42

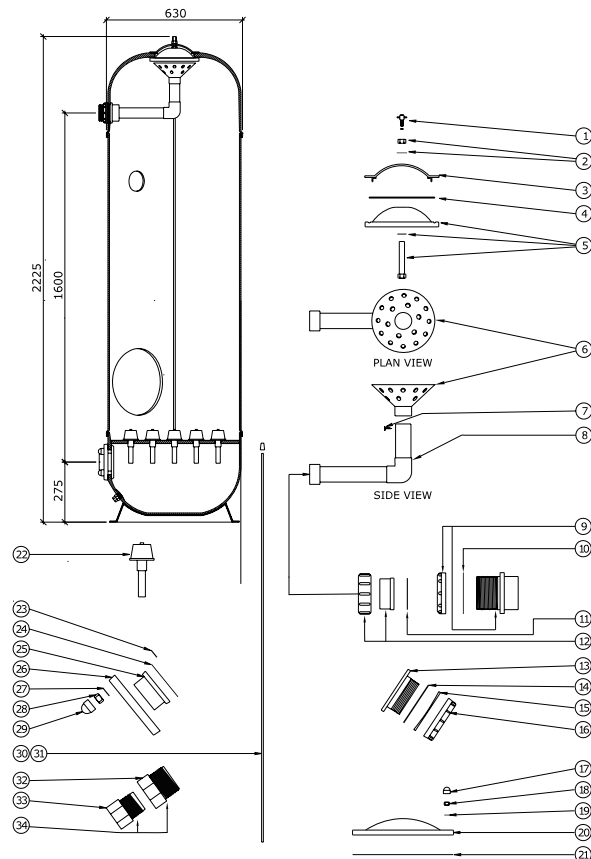
Part Number	Product Description	Diagram No.	LIST PRICE
6012 (1304A)	Lacron Lid removal tool (new type - 8")	1	£48.81
6000	Lacron Lid (new type 8")	2	£74.50
6011	Lacron Lid 'O' ring	3	£12.64
W02066	Rose distributor (each)	4	£11.23
1372	42" LHS - Header (less rose)	5	£231.60
1372A	42" RHS - Header (less rose)	6	£99.25
1372B	42" Main header 'T' (inc connect pipe)	7	£139.81
W12045	Air bleed cap (old style)	8	£4.00
17133	Air bleed tube	9	£38.36
1274 (W12228)	82mm Heavy duty Lateral (candle) (X 4)	10	£12.01
1320 (W12233)	238mm Heavy duty lateral (candle) (X 4)	11	£24.03
1277 (W12230)	300mm Heavy duty lateral (candle) (X 12)	12	£27.23
1396B	42" DBF - Lateral (candle) set	13	£287.88
1371	42" LHS Underdrain (less candles)	14	£118.98
1371A	42" RHS Underdrain (less candles)	15	£118.98
1371B	42" Main underdrain 'T' (incl connecting pipe)	16	£139.81
6017 (W02252B + W2254B)	3" Bulkhead fitting including nut	17	£48.00
6019 (1560) (W02250)	3" Bulkhead gasket (set of two)	18	£17.09
1525A	42" Bulkhead fitting (top)	19	£56.96
1525B	42" Bulkhead fitting (bottom)	20	£58.69
6018 (W02253BLK /W02255BLK /W02255EBLK)	3" Union adaptor inc sleeve (each) 'O' Ring type	21	£39.52
6020 (1559)	3" Union adaptor gasket (set of 2) Pre 2007	22	£14.41
6020A (W02249)	3"/90mm ADAPTOR 'O' RING (Set of 2) POST 2007		£14.27
W04058BLK	1/2" Sand drain complete	23	£81.86
6001 (W02026BLK)	Drain plug complete	24	£16.31
W02026ABLK	Drain plug cap only	25	£5.70
1671	3/4" S/S self tapping screw (set of 10)		£6.73
W12311	Oval hatch 18 hole		£212.55
W12300	Oval Gasket 18 hole		£41.03
POST 2007 'CLAMP LID'			
W12076	NYLON AIR RELIEF TAP + 'O' RING		£11.82
W12248	LID RETAINING CLAMP c/w SCREW & NUT		£59.05
W02933	SMALL OVAL LID O RING		£16.00
W12135	SMALL OVAL LID		£129.12

Lacron DBF - 42



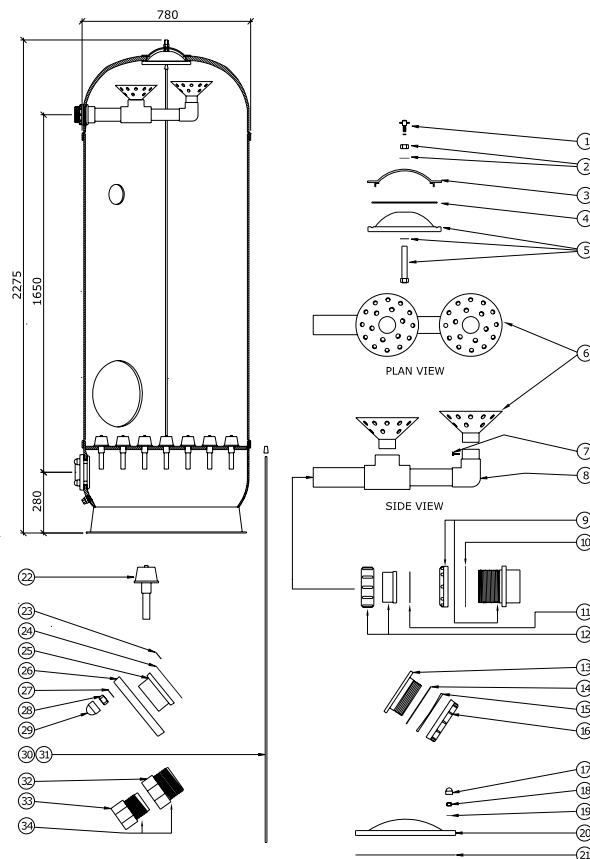
Lacron DBK - 24

Part Number	Product Description	Diagram No.	LIST PRICE
W12076	Nylon Air Relief Tap + 'O' Ring		£11.82
W12248	Small Oval Lid Retaining Clamp C/W Screw & Nut		£59.05
1993	Small Oval Lid 'O' Ring		£16.00
W12135	Small Oval Lid		£129.13
W02066	Rose Distributor	6	£11.23
1671	3/4" Self Tapping Screw (Pack Of 10)	7	£6.73
1405A	Dbk 24 Header Less Rose	8	£94.52
6014A (W12065 + 1472)	2" Bulkhead Fitting (Plus Nut)	9	£4.65
6016 (1521)	2" Bulkhead Gasket (Set Of 2)	10	£29.89
6005 (1523)	2" Union Adaptor Gasket (Set Of 2)	11	£11.75
6022 (W02983 + W02982)	2" Union Adaptor (Plus Sleeve) (Set Of 2)	12	£28.60
1290	Threaded Clear Acrylic Disc	13	£146.65
1789	2" S.n.n Gasket (3mm Thk)	14	£3.28
1434	2" Contoured Spacing Disc	15	£6.82
W12065	2" S.n.n Body + Nut	16	£29.69
1767	M12 Black Nut Cap (Pack Of 10)	17	£9.67
1685	M12 Ss Nut	18	£1.82
1684	M12 Ss Washer (Pack Of 5)	19	£6.22
W12050	10 Hole Round Hatch Cover	20	£78.21
W22017	10 Hole Gasket	21	£29.81
1547 (W12633)	Filter & Nozzle & Socket (X 24)	22	£15.99
1282	M16 Rubber 'O' Ring	23	£1.09
1710	Stub Flange Bulkhead Gasket (Bottom)	24	£8.65
1712	Stub Flange (Bottom)	25	£34.71
1711	Flange Collar (Bottom)	26	£62.17
1769	M16 Ss Washer (Pack Of 5)	27	£6.47
1762	M16 Ss Nut	28	£3.21
1768	M16 Black Nut Cap (Pack Of 10)	29	£9.67
W04058BLK	Airbleed Cap	30	£81.86
17134	Dbk - 24 Airbleed Tube	31	£14.24
1462	3/4" - 1/2" Reducing Bush	32	£4.19
1461	1/2" P70 Plug	33	£5.26
1462A (1461 + 1462)	1/2" Kok Drain Plug Complete	34	£77.67



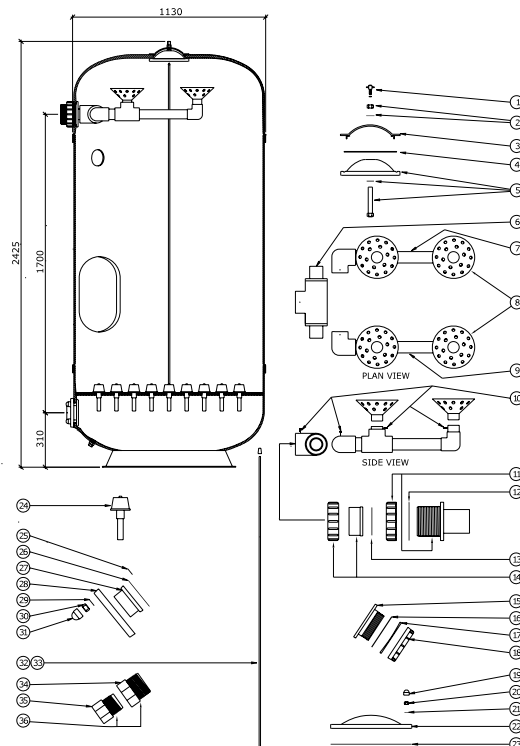
Lacron DBK - 30

Part Number	Product Description	Diagram No.	LIST PRICE
W12076	Nylon Air Relief Tap + 'O' Ring		£12.12
W12248	Small Oval Lid Retaining Clamp C/W Screw & Nut		£60.52
1993 (W12284)	Small Oval Lid 'O' Ring		£16.40
W12135	Small Oval Lid		£132.36
W02066	Rose Distributor	6	£11.51
1671	3/4" Self Tapping Screw (Pack Of 10)	7	£6.90
1406	Dbk 30 Header Less Rose	8	£96.88
6014A (W12065 + 1472)	2" Bulkhead Fitting (Plus Nut)	9	£4.77
6016 (1521)	2" Bulkhead Gasket (Set Of 2)	10	£30.64
6005 (1523)	2" Union Adaptor Gasket (Set Of 2)	11	£12.05
6022 (W02983 + W02982)	2" Union Adaptor (Plus Sleeve) (Set Of 2)	12	£29.32
1290	Threaded Clear Acrylic Disc	13	£136.23
1789	2" S.n.n Gasket (3mm Thk)	14	£3.36
1434	2" Countoured Spacing Disc	15	£6.99
W12065	2" S.n.n Body + Nut	16	£30.43
1767	M12 Black Nut Cap (Pack Of 10)	17	£9.91
1685	M12 Ss Nut	18	£1.86
1684	M12 Ss Washer (Pack Of 5)	19	£6.38
W12136	12 Hole Round Hatch Cover	20	£164.53
1529	12 Hole Gasket	21	£30.55
1547 (W12633)	Filter & Nozzle & Socket (X 37)	22	£16.39
1282	M16 Rubber 'O' Ring	23	£1.11
1710	Stub Flange Bulkhead Gasket (Bottom)	24	£8.86
1712	Stub Flange (Bottom)	25	£35.58
1711	Flange Collar (Bottom)	26	£63.73
1769	M16 Ss Washer (Pack Of 5)	27	£6.63
1762	M16 Ss Nut	28	£3.29
1768	M16 Black Nut Cap (Pack Of 10)	29	£9.91
W12045	Airbleed Cap	30	£4.10
17135	Dbk - 30 Airbleed Tube	31	£24.08
1462	3/4" - 1/2" Reducing Bush	32	£4.29
1461	1/2" P70 Plug	33	£5.40
1462A (1461 + 1462)	1/2" Kok Drain Plug Complete	34	£79.61



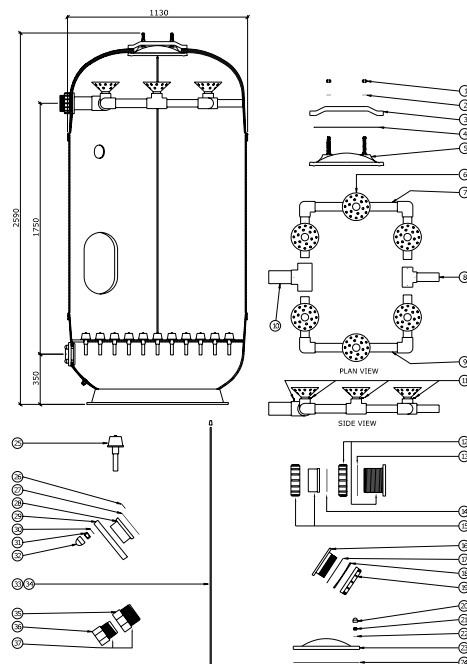
Lacron DBK - 42

Part Number	Product Description	Diagram No.	LIST PRICE
W12076	Nylon Air Relief Tap + 'O' Ring		£11.82
W12248	Small Oval Lid Retaining Clamp C/W Screw & Nut		£59.05
1993 (W12284)	Small Oval Lid 'O' Ring		£16.00
W12135	Small Oval Lid		£129.13
1423C	42" Main Header 'T'	6	£231.60
1423B	Dbk 42 Rhs Header Rose	7	£11.21
W02066	Rose Distributor	8	£11.23
1671	3/4" Self Tapping Screw (Pack Of 10)	10	£6.73
6017 (W02252B + W2254B)	3" Bulkhead Fitting (Plus Nut)	11	£48.00
6019 (1560)	3" Bulkhead Gasket (Pack Of 2)	12	£17.09
6018 (W02253BLK / W02255BLK / W02255EBLK)	3" Adaptor Union (Plus Sleeve) 'O' Ring Type	16	£39.52
6020 (1559)	3" Adaptor Gasket (Set Of 2) Pre 2007	17	£14.41
6020A	3"/90mm Adaptor 'O' Ring (Set Of 2) Post 2007	17	£14.27
1290	Threaded Clear Acrylic Disc	15	£132.90
1789	2" S.n.n Gasket (3mm Thk)	16	£3.28
1434	2" Countoured Spacing Disc	17	£6.82
W12065	2" S.n.n Body + Nut	18	£30.54
1767	M12 Black Nut Cap (Pack Of 10)	19	£9.67
1685	M12 Ss Nut	20	£1.82
1684	M12 Ss Washer (Pack Of 5)	21	£6.22
W12311	18 Hole Oval Hatch Cover	22	£212.55
1713	18 Hole Gasket	23	£34.12
1547 (W12633)	Filter & Nozzle & Socket (X 71)	24	£15.99
1282	M16 Rubber 'O' Ring	25	£1.09
1710	Stub Flange Bulkhead Gasket (Bottom)	26	£8.65
1712	Stub Flange (Bottom)	27	£34.71
1711	Flange Collar (Bottom)	28	£62.17
1769	M16 Ss Washer (Pack Of 5)	29	£6.47
1762	M16 Ss Nut	30	£3.21
1768	M16 Black Nut Cap (Pack Of 10)	31	£9.67
W12045	Airbleed Cap	32	£4.00
17136	Dbk 42 Airbleed Tube	33	£14.24
1462	3/4" - 1/2" Reducing Bush	34	£4.19
1461	1/2" P70 Plug	35	£5.26
1462A (1461 + 1462)	1/2" Kok Drain Plug Complete	36	£77.67



Lacron DBK - 48

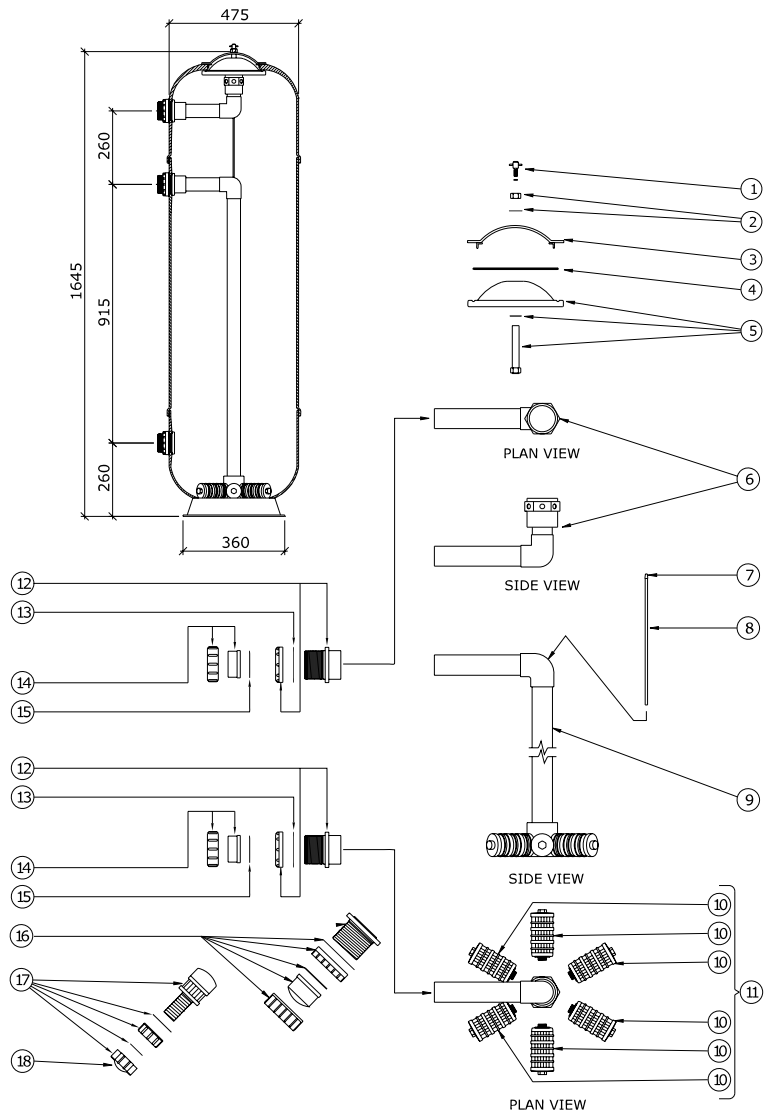
Part Number	Product Description	Diagram No.	LIST PRICE
1762	M16 S/S Hex Nut	1	£3.21
1769	M16 S/S Washer (Pack Of 5)	2	£6.47
6209430	Lacron Lid Yoke	3	£110.18
2611A	Lacron Oval Lid 'O' Ring	4	£55.20
W12308	Lacron 4 Stud Oval Lid	5	£611.58
W02066	Rose Distributor	6	£11.23
17401	48" Lhs Header (Less Rose)	7	£158.33
17404	48" Main Header Pipe Inlet 'T'	8	£4.65
17402	48" Rhs Header (Less Rose)	9	£158.33
17403	48" Main Header Pipe Support 'T'	10	£42.43
1671	3/4" Self Tapping Screw (Pack Of 10)	11	£6.73
6017 (W02252B + W2254B)	3" Bulkhead Fitting (Plus Nut)	12	£48.00
6019 (1560)	3" Bulkhead Gasket (Pack Of 2)	13	£17.08
6018 (W02253BLK / W02255BLK / W02255EBLK)	3"/90mm Adaptor Union (Plus Sleeve) 'O' Ring Type	16	£39.52
6020 (1559)	3"/90mm Adaptor Gasket (Set Of 2) Pre 2007	17	£14.41
6020A	3"/90mm Adaptor 'O' Ring (Set Of 2) Post 2007	17	£14.27
1290	Threaded Clear Acrylic Disc	16	£146.43
1789	2" S.n.n Gasket (3mm Thk)	17	£3.28
1434	2" Countoured Spacing Disc	18	£7.23
W12065	2" S.n.n Body + Nut	19	£30.54
1767	M12 Black Nut Cap (Pack Of 10)	20	£9.66
1685	M12 Ss Nut	21	£1.82
1684	M12 Ss Washer (Pack Of 5)	22	£6.22
W12311	18 Hole Oval Hatch Cover	22	£212.55
1713	18 Hole Gasket	23	£34.13
1547	Filter & Nozzle & Socket (X 91)	25	£15.99
1282	M16 Rubber 'O' Ring	26	£1.09
1710	Stub Flange Bulkhead Gasket (Bottom)	27	£8.64
1712	Stub Flange (Bottom)	28	£36.79
1711	Flange Collar (Bottom)	29	£65.90
1769	M16 Ss Washer (Pack Of 5)	30	£6.47
1762	M16 Ss Nut	31	£3.21
1768	M16 Black Nut Cap (Pack Of 10)	32	£10.25
1656	Airbleed Cap	33	£4.23
17106A	Dbk 48 Airbleed Tube (2 Pieces)	34	£58.55
1462	3/4" - 1/2" Reducing Bush	35	£4.19
1461	1/2" P70 Plug	36	£5.26
1462A (1461 + 1462)	1/2" Kok Drain Plug Complete	37	£82.33



Lacron HPF - 18

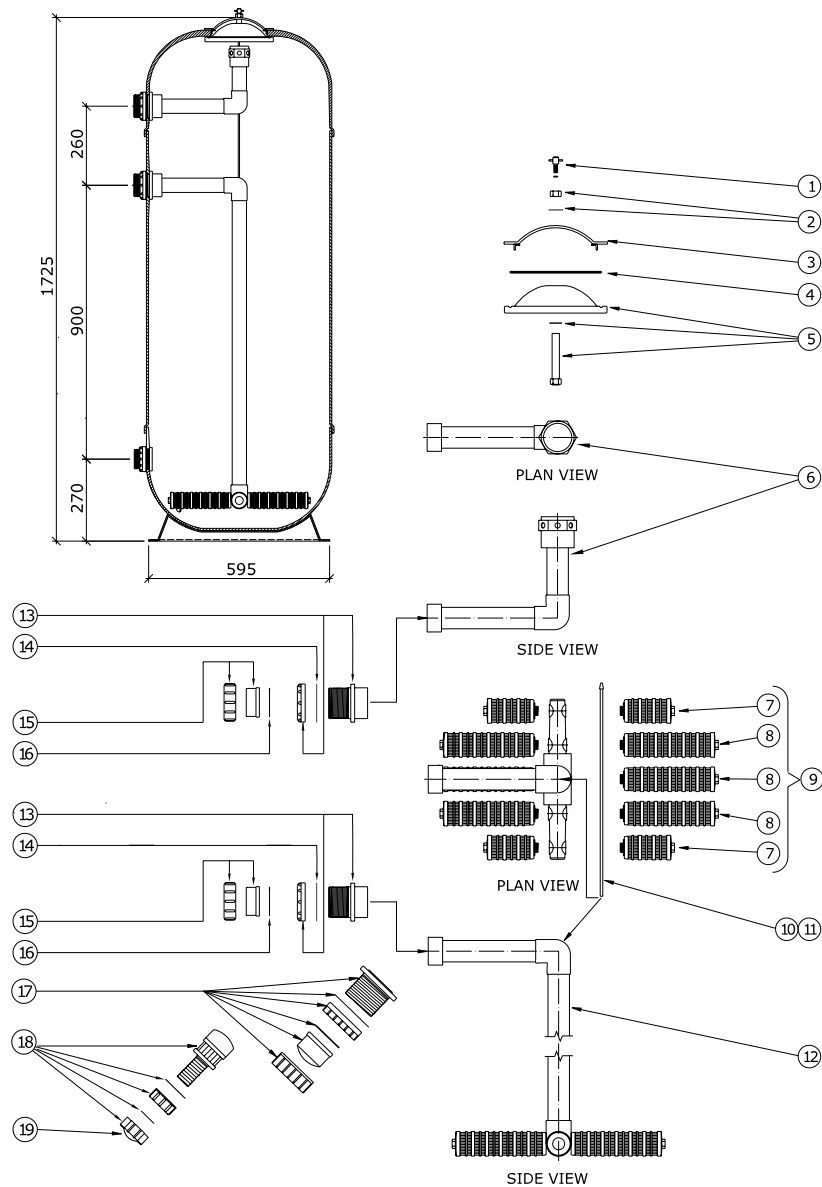
Part Number	Product Description	Diagram No.	LIST PRICE
W12076	Nylon Air Relief Tap + 'O' Ring	1	£11.82
W12248	Small Oval Lid Retaining Clamp C/W Screw & Nut	3+2	£59.05
1993 (W12284)	Small Oval Lid 'O' Ring	4	£16.00
W12135	Small Oval Lid	5	£129.13
W12087	HEXAGONAL HUB		£4.19
17160	18" - 1.5" Hp Header (Less Rose)	6	£42.72
W12045	Air Bleed Cap	7	£4.00
17130	18" Dbf Standard/Hp Airbleed Tube	8	£4.65
1365A	18" - 1.5" Underdrain Less Candles	9	£55.23
1318 (W12231)	113mm Heavy Duty Lateral (X 6)	10	£13.36
1393B	18" Dbf - Lateral (Candle) Set	11	£65.59
6013 (W02989 + W02271BLK)	1.5" Bulkhead Fitting	12	£25.60
6015 (1520)	1.5" Bulkhead Gasket (Set Of 2)	13	£11.75
6021 (W02981 + W02980)	1.5" Union Adaptor (Set Of 2)	14	£22.58
6004 (1522)	1.5" Union Adaptor Gasket (Set Of 2)	15	£7.15
W04058BLK	1.5" Sand Drain Complete	16	£81.86
6001 (W02026BLK)	Drain Plug Complete	17	£16.31
W02026ABLK	Drain Plug Cap	18	£6.82
1671	3/4" Self Tap Screw (Pack Of 10)	19	£6.73
			£0.00
	Post 2004		£0.00
6023 (W02209BLK + W02210BLK)	1.5" Union Adaptor Nut And Sleeve (Set Of 2)		£22.58
6026 (W02213)	1.5" Union Adaptor 'O' Ring (Set Of 2)		£7.15

PLEASE NOTE: 1 1/2" Lacron filters manufactured pre 2006 will have union adaptors (Barrel Unions) with **flat gaskets**
 1 1/2" Lacron filters manufactured post 2006 will have union adaptors (Barrel Unions) with 'O' rings



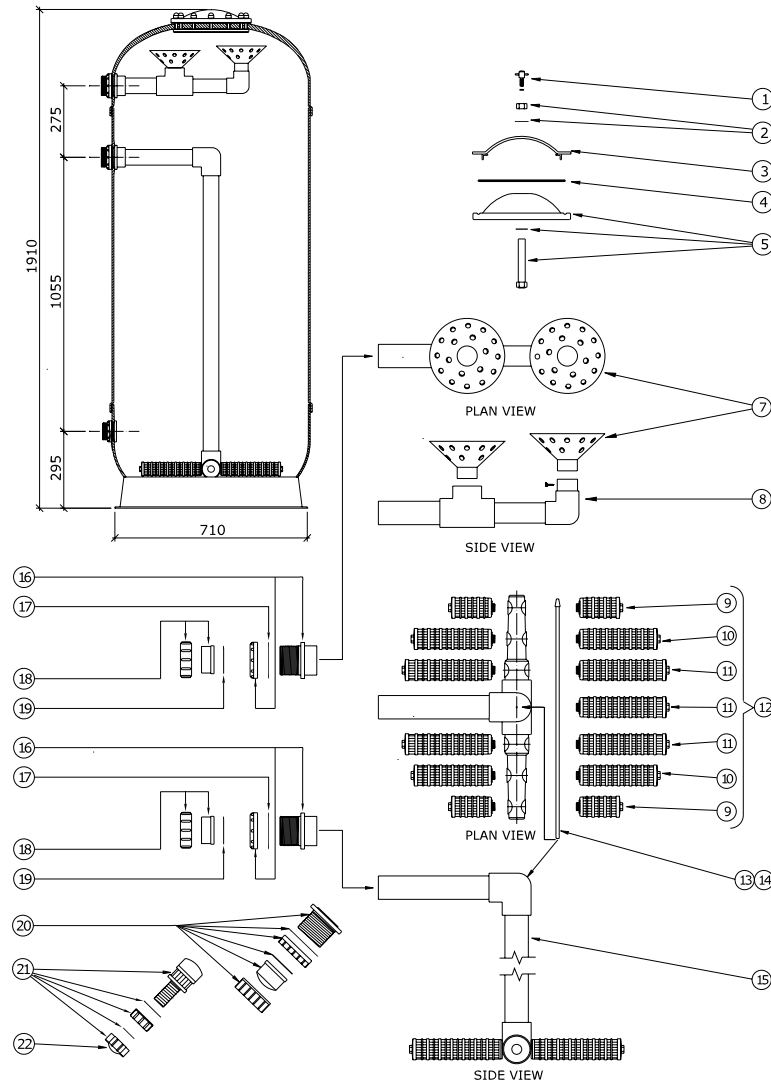
Lacron HPF - 24

Part Number	Product Description	Diagram No.	LIST PRICE
W12076	Nylon Air Relief Tap + 'O' Ring	1	£11.82
W12248	Small Oval Lid Retaining Clamp C/W Screw & Nut	2+3	£59.05
1993	Small Oval Lid 'O' Ring	4	£16.00
W12135	Small Oval Lid	5	£129.13
W12087	HEXAGONAL HUB		£4.19
1366	24" Header Assembly Complete Less Rose	6	£47.47
1318 (W12231)	113mm Heavy Duty Lateral (X 4 required per filter)	7	£13.36
1319 (W12232)	206mm Heavy Duty Lateral (X 6 required per filter)	8	£21.33
1394B	24" Dbf - Lateral (Candle) Set	9	£100.59
W12045	Air Bleed Cap	10	£4.00
17131	Airbleed Tube	11	£17.38
1382	1.5" Underdrain Less Candles	12	£141.40
6014A (W12065 + 1472)	2" Bulkhead Fitting (Plus Nut)	13	£30.55
6016 (1521)	2" Bulkhead Gasket (Set Of 2)	14	£29.89
6022 (W02983 + W02982)	2" Union Adaptor (Plus Sleeve) (Set Of 2)	15	£28.60
6005 (1523)	2" Union Adaptor Gasket (Set Of 2)	16	£11.75
W04058BLK	1.5" Sand Drain Complete	17	£81.86
6001 (W02026BLK)	Drain Plug Complete	18	£16.31
W02522C	Drain Plug Cap	19	£6.82
1671	3/4" Self Tap Screw (Pack Of 10)	20	£6.73



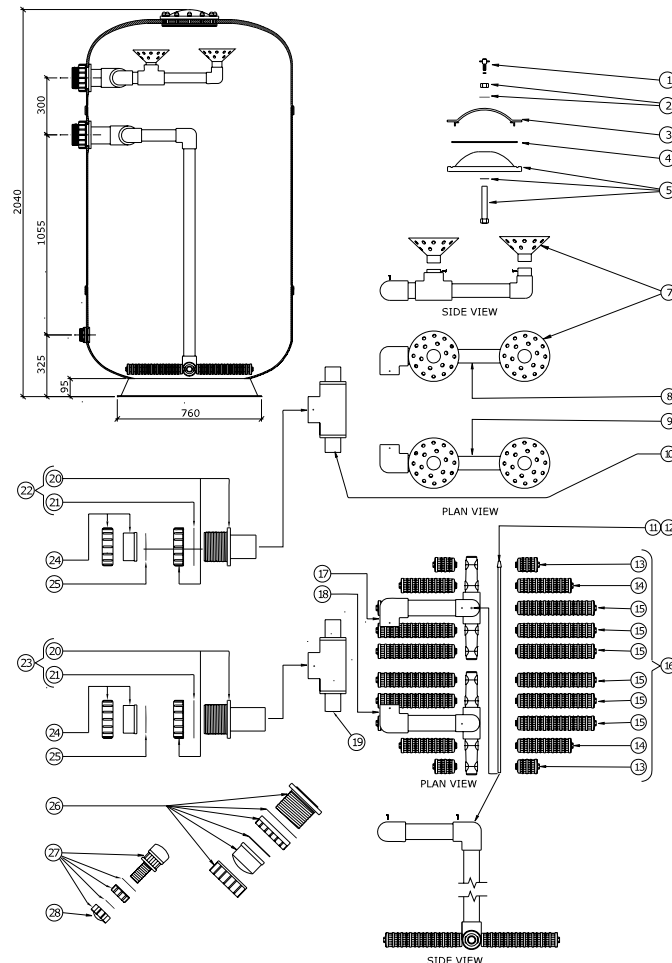
Lacron HPF - 30

Part Number	Product Description	Diagram No.	LIST PRICE
W12076	Nylon Air Relief Tap + 'O' Ring	1	£11.82
W12248	Small Oval Lid Retaining Clamp C/W Screw & Nut	3+2	£59.05
1993 (W12284)	Small Oval Lid 'O' Ring	4	£16.00
W12135	Small Oval Lid	5	£129.13
W02066	Rose Distributor	7	£11.23
1370	30" - 2" Header (Less Rose)	8	£77.40
1318	113mm Heavy Duty Lateral (X 4 required per filter)	9	£13.36
1319	206mm Heavy Duty Lateral (X 4 required per filter)	10	£21.33
1320	238mm Heavy Duty Lateral (X 6 required per filter)	11	£24.03
1395B	30" DBF - Lateral (Candle) Set	12	£254.59
W12045	Air Bleed Cap	13	£4.00
17132	30" DBF Standard / HP Airbleed Tube	14	£22.27
1383	30" - 2" Underdrain Less Candles	15	£169.14
6014	2" Bulkhead Fitting (Plus Nut)	16	£30.55
6016 (1521)	2" Bulkhead Gasket (Set Of 2)	17	£29.89
6022 (W02983 + W02982)	2" Union Adaptor (Plus Sleeve) (Set Of 2)	18	£28.60
6005 (1523)	2" Union Adaptor Gasket (Set Of 2)	19	£11.75
W04058BLK	1.5" Sand Drain Complete	20	£81.86
6001 (W02026BLK)	Drain Plug Complete	21	£16.31
W02522C	Drain Plug Cap	22	£6.82
1671	3/4" Self Tap Screw (Pack Of 10)	23	£6.73



Lacron HPF - 42

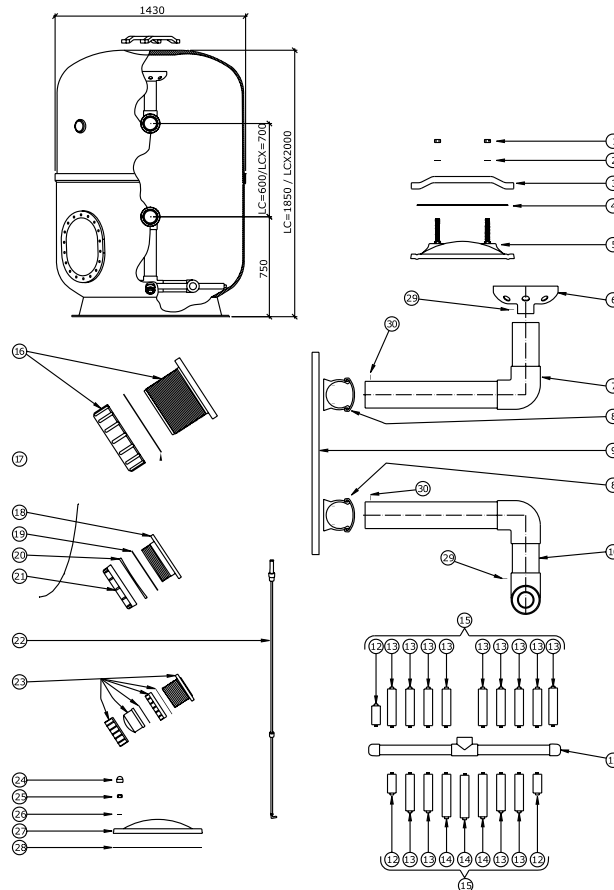
Part Number	Product Description	Diagram No.	LIST PRICE
W12076	Nylon Air Relief Tap + 'O' Ring	1	£11.82
W12248	Small Oval Lid Retaining Clamp C/W Screw & Nut	3+2	£59.05
1993 (W12284)	Small Oval Lid 'O' Ring	4	£16.00
W12135	Small Oval Lid	5	£129.13
W02066	Rose Distributor	7	£11.23
1372	42" LHS Header (Less Rose)	8	£99.24
1372A	42" RHS Header (Less Rose)	9	£99.24
1372B	42" Main Header 'T'	10	£139.80
W12045	Air Bleed Cap	11	£4.00
17133	Airbleed Tube	12	£38.36
1274	82mm Heavy Duty Lateral (X 4 required per filter)	13	£12.01
1320 (W12233)	238mm Heavy Duty Lateral (X 4 required per filter)	14	£24.03
1277	300mm Heavy Duty Lateral (X 12 required per filter)	15	£27.23
1396B	Lateral (Candle) Set	16	£287.88
1371	42" LHS Underdrain (Less Candles)	17	£118.97
1371A	42" RHS Underdrain (Less Candles)	18	£118.97
1371B	42" Main Underdrain 'T' & Con Pipe	19	£139.81
6017 (W02252B + W2254B)	3" Bulkhead Fitting (Plus Nut)	20	£48.00
6019 (1560)	3" Bulkhead Gasket (Set Of 2)	21	£17.09
1525A	42" - 3" Bulkhead Fitting (Top)	22	£56.96
1525B	42" - 3" Bulkhead Fitting (Bottom)	23	£58.68
6018 (W02253BLK / W02255BLK / W02255EBLK)	3" Adaptor Union (Plus Sleeve) 'O' Ring Type	24	£39.52
6020 (1559)	3" Adaptor Gasket (Set Of 2) Pre 2007	25	£14.41
6020A	3"/90Mm Adaptor 'O' Ring (Set Of 2) Post 2007	25	£14.27
W04058BLK	Sand Drain Complete 40mm	26	£81.86
6001 (W02026BLK)	Drain Plug Complete 15mm	27	£16.31
W02522C	Drain Plug Cap 15mm	28	£6.82
1671	3/4" Self Tap Screw (Pack Of 10)		£6.73



Lacron LCX/LCP - 1200

Part Number	Product Description	Diagram No.	LIST PRICE
6209430	Lacron Lid Yoke	3	£110.17
2611	Lacron Oval Lid 'O' Ring	4	£38.70
W12308	Manhole Lid 4 Stud Complete With Yoke, Nuts, Bolts 'O' Ring	1 to 5	£611.58
17501A	3" Rose Distributor	6	£4.65
1373E	Lcx-Lcp 1200 Header Assy Complete	7	£231.60
2618	1 M Variable Brace Bar	8	£65.59
2613	3" Pipe Clamp Set Complete	9	£14.67
1373C	Lcx 1200 Underdrain Assy Complete	10	£4.65
1373A	Drilled & Tapped Collector Set	11	£341.76
1318	Heavy Duty Laterals 113mm (Lcx) (X 6)	12	£13.36
1319	Heavy Duty Laterals 206mm (Lcx) (X 26)	13	£21.33
1320	Heavy Duty Laterals 238mm (Lcx) (X 6)	14	£24.03
1373D	Heavy Duty Lateral Set Complete	15	£701.08
1524	3" Bulkhead & Nut	16	£12.69
1560	3" S.n.n Gasket (Set Of 2)	17	£17.09
1290	Threaded Clear Acrylic Disc	18	£146.65
1789	2" S.n.n Gasket (3Mm Thk)	19	£3.28
1434	2" Countoured Spacing Disc	20	£6.82
W12065	2" S.n.n Black	21	£30.54
17500B	LCX 1200 Airbleed Assy Complete	22	£64.73
W04058BLK	1.5" Sand Drain Complete	23	£81.86
1767	M12 Black Nut Cap (Pack Of 10)	24	£9.67
1685	M12 S/S Nut	25	£1.82
1684	M12 S/S Washer (Pack Of 5)	26	£6.22
42809A	Large Oval Hatch (18 Hole)	27	£234.48
1713	Oval Hatch Gasket (18 Hole)	28	£34.12
1753	M6 X 25mm Set Screw (Pack Of 10)	29	£4.32
1753A	M6 X 20mm Set Screw (Pack Of 10)	30	£4.32
1547 (W12633)	Filter Nozzle & Socket (LCP)	n/a	£15.99

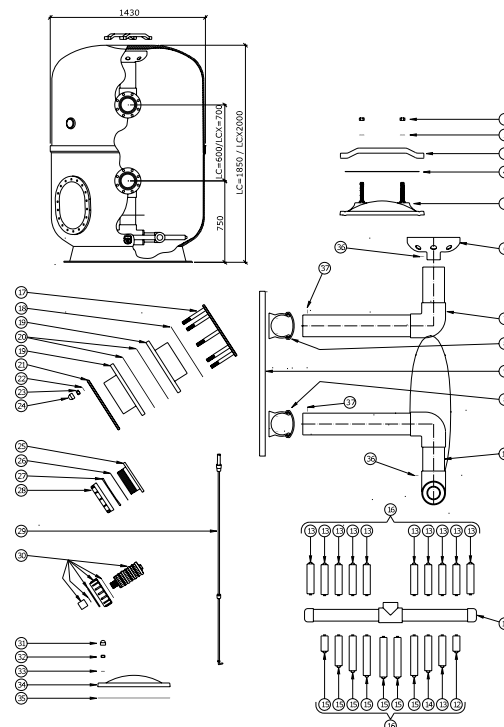
Note: For LCX/LCP made post year 2007, refer to SMDD/SPDD spare list



Lacron LCX/LCP - 1400

Part Number	Product Description	Diagram No.	LIST PRICE
6209430	Lacron Lid Yoke	3	£110.17
2611	Lacron Oval Lid 'O' Ring	4	£38.70
W12308	Manhole Lid 4 Stud Complete With Yoke, Nuts, Bolts 'O' Ring	1 to 5	£288.70
17501B	4" Rose Distributor	6	£4.65
1373H	Lcx-Lcp 1400 Header Assy Complete	7	£231.60
2618	1 M Variable Brace Bar	8	£65.59
2614	4" Pipe Clamp Set Complete	9	£31.07
1373F	Lcx 1400 Underdrain Assy Complete	10	£4.65
1373B	Drilled & Tapped Collector Set	11	£1,090.51
1318	Heavy Duty Laterals 113mm (Lcx) (X 4)	12	£13.36
1319	Heavy Duty Laterals 206mm (Lcx) (X 24)	13	£21.33
1320	Heavy Duty Laterals 238mm (Lcx) (X 4)	14	£24.03
1275	Heavy Duty Laterals 268mm (Lcx) (X 8)	15	£26.68
1373G	Heavy Duty Lateral Set Complete	16	£787.25
1554	4" 8 Stud Backing Ring	17	£131.25
1534	4" Gasket Large (8 Hole)	18	£13.57
1540	4" / 110mm Pvc Flange	19	£144.04
1535	4" Gasket Small (8 Hole)	20	£13.57
1552	4" Facing Ring	21	£93.03
1684	M12 S/S Washer (Pack Of 5)	22	£6.22
1685	M12 S/S Nut	23	£1.82
1767	M12 Black Nut Cap (Pack Of 10)	24	£9.67
1290	Threaded Clear Acrylic Disc	25	£146.65
1789	2" S.n.n Gasket (3Mm Thk)	26	£3.28
1434	2" Countoured Spacing Disc	27	£6.82
W12065	2" S.n.n Body + Nut	28	£30.54
17500C	LCX 1400 Airbleed Assy Complete	29	£69.04
1478B	2" Sand Drain Complete	30	£81.85
1767	M12 Black Nut Cap (Pack Of 10)	31	£9.67
1685	M12 S/S Nut	32	£1.82
1684	M12 S/S Washer (Pack Of 5)	33	£6.22
42809A	Large Oval Hatch (18 Hole)	34	£234.48
1713	Oval Hatch Gasket (18 Hole)	35	£34.12
1753	M6 X 25mm Set Screw (Pack Of 10)	36	£4.32
1753A	M6 X 20mm Set Screw (Pack Of 10)	37	£4.32
1547 (W12633)	Filter Nozzle & Socket (LCP)	n/a	£15.99

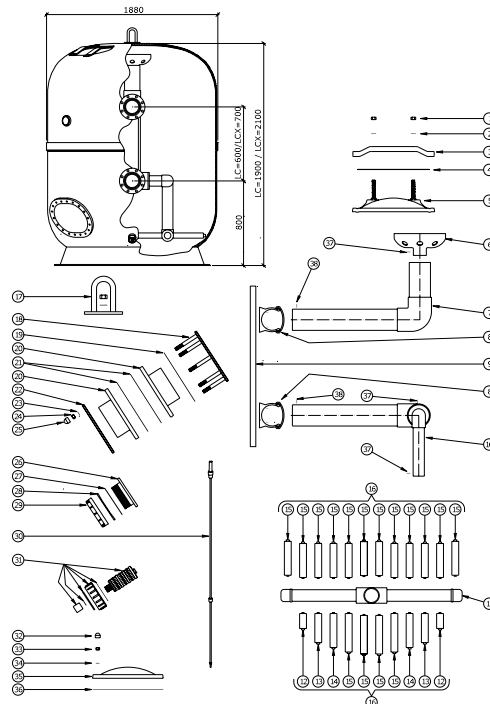
Note: For LCX/LCP made post year 2007, refer to SMDD/SPDD spare list



Lacron LCX/LCP - 1600

Part Number	Product Description	Diagram No.	LIST PRICE
6209430	Lacron Lid Yoke	3	£110.17
2611	Lacron Oval Lid 'O' Ring	4	£38.70
W12308	Manhole Lid 4 Stud Complete With Yoke, Nuts, Bolts 'O' Ring	1 to 5	£288.70
17501B	4" Rose Distributor	6	£4.65
1374E	LCX-LCP 1600 Header Assy Complete	7	£231.60
2618	1 M Variable Brace Bar	8	£65.59
2614	4" Pipe Clamp Set Complete	9	£31.07
1374C	LCX 1600 Underdrain Assy Complete	10	£4.65
1374A	Drilled & Tapped Collector Set	11	£1,165.08
1318	Heavy Duty Laterals 113Mm (LCX) (X 4)	12	£13.36
1319	Heavy Duty Laterals 206Mm (LCX) (X 4)	13	£21.33
1320	Heavy Duty Laterals 238Mm (LCX) (X 28)	14	£24.03
1275	Heavy Duty Laterals 268Mm (LCX) (X 8)	15	£26.68
1401B	Heavy Duty Lateral Set Complete	16	£974.19
1882G	Lifting Eye Assembly Complete	17	£117.92
1554	4" 8 Stud Backing Ring	18	£131.25
1534	4" Gasket Large (8 Hole)	19	£13.57
1540	4" / 110mm Pvc Flange	20	£144.04
1535	4" Gasket Small (8 Hole)	21	£13.57
1552	4" Facing Ring	22	£93.03
1769	M16 S/S Washer (Pack Of 5)	23	£6.47
1762	M16 S/S Nut	24	£3.21
1768	M16 Black Nut Cap (Pack Of 10)	25	£9.67
1290	Threaded Clear Acrylic Disc	26	£146.65
1789	2" S.n.n Gasket (3mm Thk)	27	£3.28
1434	2" Countoured Spacing Disc	28	£6.82
W12065	2" S.n.n Body + Nut	29	£30.54
17500D	LCX 1600 Airbleed Assy Complete	30	£77.67
1478B	2" Sand Drain Complete	31	£192.29
1767	M12 Black Nut Cap (Pack Of 10)	32	£9.67
1685	M12 S/S Nut	33	£1.82
1684	M12 S/S Washer (Pack Of 5)	34	£6.22
42809A	Large Oval Hatch (18 Hole)	35	£234.48
1713	Oval Hatch Gasket (18 Hole)	36	£34.12
1753	M6 X 25Mm Set Screw (Pack Of 10)	37	£4.32
1753A	M6 X 20Mm Set Screw (Pack Of 10)	38	£4.32
1547 (W12633)	Filter Nozzle & Socket (LCP)	n/a	£15.99

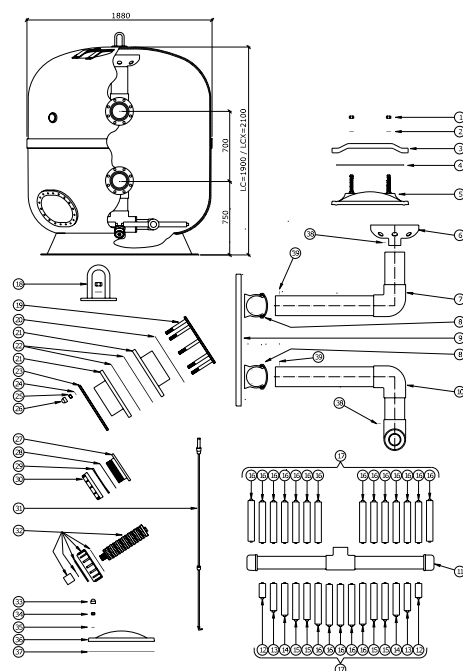
Note: For LCX/LCP made post year 2007, refer to SMDD/SPDD spare list



Lacron LCX/LCP - 1850

Part Number	Product Description	Diagram No.	LIST PRICE
6209430	Lacron Lid Yoke	3	£110.17
2611	Lacron Oval Lid 'O' Ring	4	£38.70
W12308	Manhole Lid 4 Stud Complete With Yoke, Nuts, Bolts 'O' Ring	1 to 5	£611.58
17501	6" Rose Distributor	6	£4.65
72093	LCX-LCP 1850 Header Assy Complete	7	£231.60
2618	1 M Variable Brace Bar	8	£65.59
2615	6" Pipe Clamp Set Complete (Set Of 2)	9	£48.33
72092	Lcx 1850 Underdrain Assy Complete	10	£4.65
1374B	Drilled & Tapped Collector Set	11	£1,251.38
1318	Heavy Duty Laterals 113mm (LCX) (X 4)	12	£13.36
1319	Heavy Duty Laterals 206mm (LCX) (X 4)	13	£21.33
1320	Heavy Duty Laterals 238mm (LCX) (X 4)	14	£24.03
1275	Heavy Duty Laterals 268mm (LCX) (X 8)	15	£26.68
1277	Heavy Duty Laterals 300mm (LCX) (X 38)	16	£27.23
1374F	Heavy Duty Lateral Set Complete	17	£1,286.69
1882G	Lifting Eye Assembly Complete	18	£117.92
2163	6" 8 Stud Backing Ring	19	£383.18
2166	6" Gasket Large (8 Hole)	20	£30.21
2167	6" / 160Mm Pvc Flange	21	£186.41
2165	6" Gasket Small (8 Hole)	22	£30.21
2164	6" Facing Ring	23	£236.47
1769	M16 S/S Washer (Pack Of 5)	24	£6.47
1762	M16 S/S Nut	25	£3.21
1768	M16 Black Nut Cap (Pack Of 10)	26	£9.67
1290	Threaded Clear Acrylic Disc	27	£146.65
1789	2" S.n.n Gasket (3Mm Thk)	28	£3.28
1434	2" Countoured Spacing Disc	29	£6.82
W12065	2" S.n.n Body + Nut	30	£30.54
17500	LCX 1850 Airbleed Assy Complete	31	£82.85
1478A	3" Sand Drain Complete	32	£81.85
1767	M12 Black Nut Cap (Pack Of 10)	33	£9.67
1685	M12 S/S Nut	34	£1.82
1684	M12 S/S Washer (Pack Of 5)	35	£6.22
42809A	Large Oval Hatch (18 Hole)	36	£234.48
1713	Oval Hatch Gasket (18 Hole)	37	£34.12
1753	M6 X 25Mm Set Screw (Pack Of 10)	38	£4.32
1753A	M6 X 20Mm Set Screw (Pack Of 10)	39	£4.32
1547 (W12633)	Filter Nozzle & Socket (Lcp)	n/a	£15.99

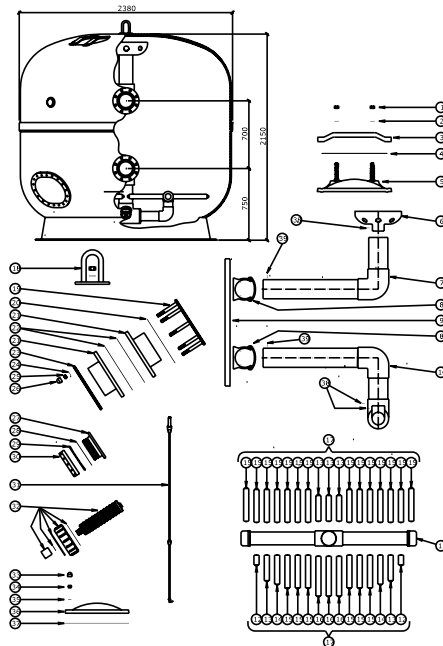
Note: For LCX/LCP made post year 2007, refer to SMDD/SPDD spare list



Lacron LCX/LCP - 2000

Part Number	Product Description	Diagram No.	LIST PRICE
6209430	Lacron Lid Yoke	3	£110.17
2611	Lacron Oval Lid 'O' Ring	4	£38.70
W12308	Manhole Lid 4 Stud Complete With Yoke, Nuts, Bolts 'O' Ring	1 to 5	£611.58
17501	6" Rose Distributor	6	£4.65
72772	LCX-LCP 2000 Header Assy Complete	7	£231.60
2618	1 M Variable Brace Bar	8	£65.59
2615	6" Pipe Clamp Set Complete (Set Of 2)	9	£48.33
72771	LCX 2000 Underdrain Assy Complete	10	£4.65
1375B	Drilled & Tapped Collector Set	11	£1,251.38
1318	Heavy Duty Laterals 113mm (Lcx) (X 4)	12	£13.36
1319	Heavy Duty Laterals 206mm (LCX) (X 4)	13	£21.33
1275	Heavy Duty Laterals 268mm (LCX) (X 4)	14	£26.68
1277	Heavy Duty Laterals 300mm (LCX) (X 6)	15	£27.23
1324	Heavy Duty Laterals 361mm (LCX) (X 8)	16	£31.93
1324	Heavy Duty Laterals 361mm (LCX) 9 X 54)	16	£31.93
72770	Heavy Duty Lateral Candle Set	17	£1,461.57
1882G	Lifting Eye Assembly Complete	18	£117.92
2163	6" 8 Stud Backing Ring	19	£383.18
2166	6" Gasket Large (8 Hole)	20	£30.21
2167	6" / 160mm Pvc Flange	21	£186.41
2165	6" Gasket Small (8 Hole)	22	£30.21
2164	6" Facing Ring	23	£236.47
1769	M16 S/S Washer (Pack Of 5)	24	£6.47
1762	M16 S/S Nut	25	£3.21
1768	M16 Black Nut Cap (Pack Of 10)	26	£9.67
1290	Threaded Clear Acrylic Disc	27	£146.65
1789	2" S.n.n Gasket (3mm Thk)	28	£3.28
1434	2" Countoured Spacing Disc	29	£6.82
W12065	2" S.n.n Body + Nut	30	£30.54
17500A	LCX 2000 Airbleed Assy Complete	31	£82.85
1478A	3" Sand Drain Complete	32	£81.85
1767	M12 Black Nut Cap (Pack Of 10)	33	£9.67
1685	M12 S/S Nut	34	£1.82
1684	M12 S/S Washer (Pack Of 5)	35	£6.22
42809A	Large Oval Hatch (18 Hole)	36	£234.48
1713	Oval Hatch Gasket (18 Hole)	37	£34.12
1753	M6 X 25mm Set Screw (Pack Of 10)	38	£4.32
1753A	M6 X 20mm Set Screw (Pack Of 10)	39	£4.32
1547 (W12633)	Filter Nozzle & Socket (LCP)	n/a	£15.99

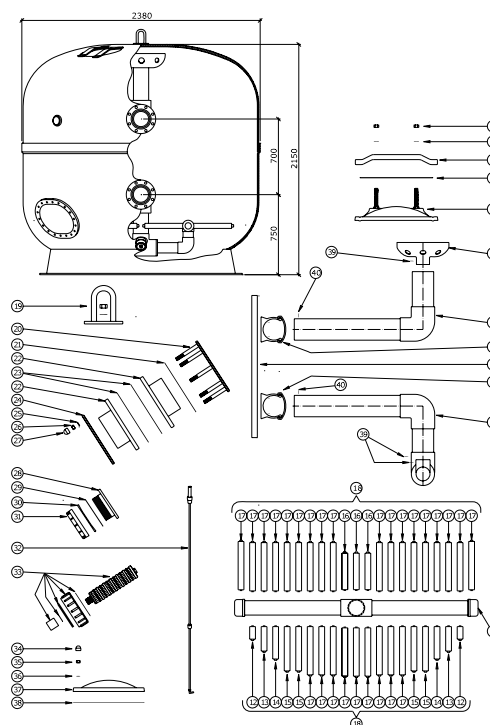
Note: For LCX/LCP made post year 2007, refer to SMDD/SPDD spare list



Lacron LCX/LCP - 2350

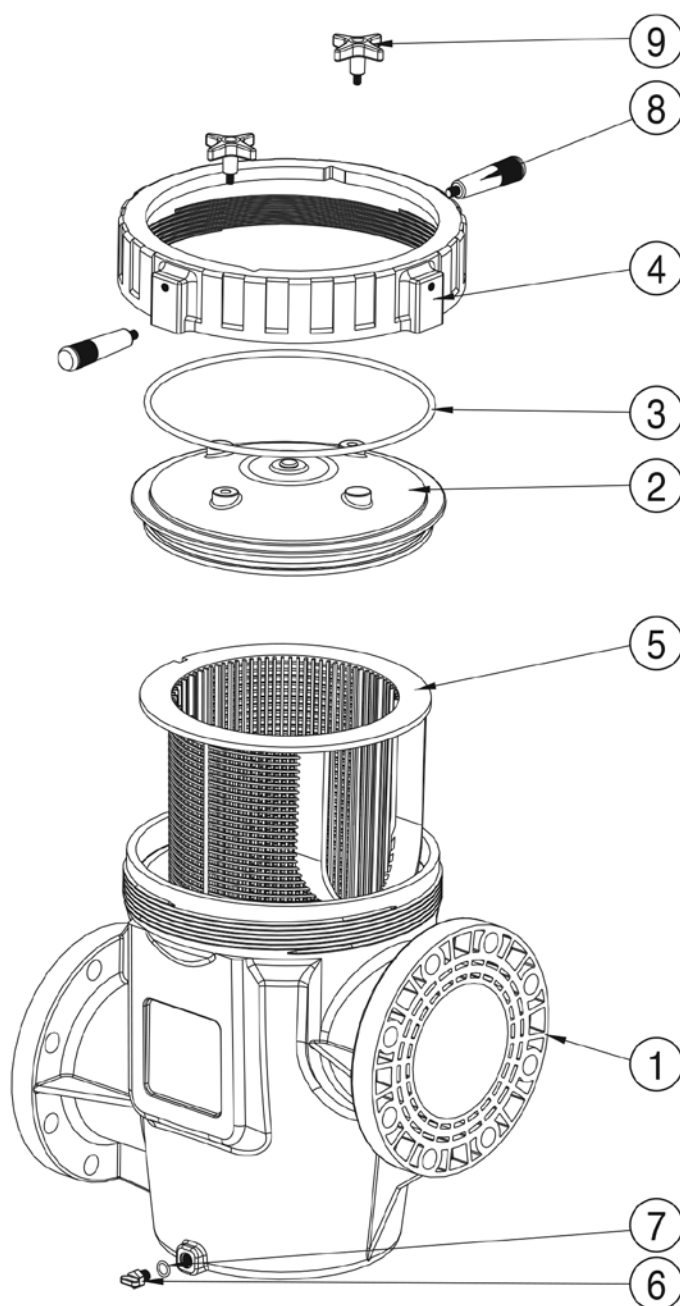
Part Number	Product Description	Diagram No.	LIST PRICE
6209430	Lacron Lid Yoke	3	£110.17
2611	Lacron Oval Lid 'O' Ring	4	£38.70
W12308	Manhole Lid 4 Stud Complete With Yoke, Nuts, Bolts 'O' Ring	1 to 5	£611.58
17501	6" Rose Distributor	6	£4.65
72876	LCX-LCP 2350 Header Assy Complete	7	£231.60
2618	1 M Variable Brace Bar	8	£65.59
2615	6" Pipe Clamp Set Complete (Set Of 2)	9	£48.33
72877	LCX 2350 Underdrain Assy Complete	10	£4.65
1375B	Drilled & Tapped Collector Set	11	£1,251.38
1318	Heavy Duty Laterals 113mm (LCX) (X 4)	12	£13.36
1319	Heavy Duty Laterals 206mm (LCX) (X 10)	13	£21.33
1275	Heavy Duty Laterals 268mm (LCX) (X 4)	14	£26.68
1277	Heavy Duty Laterals 300mm (LCX) (X 40)	15	£27.23
1324	Heavy Duty Laterals 361mm (LCX) (X 6)	16	£31.93
1325	Heavy Duty Laterals 392mm (LCX)	17	£33.23
72785	Heavy Duty Lateral Set Complete	18	£2,144.48
1882G	Lifting Eye Assembly Complete	19	£117.92
2163	6" 8 Stud Backing Ring	20	£383.18
2166	6" Gasket Large (8 Hole)	21	£30.21
2167	6" / 160mm Pvc Flange	22	£186.41
2165	6" Gasket Small (8 Hole)	23	£30.21
2164	6" Facing Ring	24	£236.47
1769	M16 S/S Washer (Pack Of 5)	25	£6.47
1762	M16 S/S Nut	26	£3.21
1768	M16 Black Nut Cap (Pack Of 10)	27	£9.67
1290	Threaded Clear Acrylic Disc	28	£146.65
1789	2" S.n.n Gasket (3mm Thk)	29	£3.28
1434	2" Countoured Spacing Disc	30	£6.82
W12065	2" S.n.n Black	31	£30.54
17500E	LCX 2350 Airbleed Assy Complete	32	£73.35
1478A	3" Sand Drain Complete	33	£81.85
1767	M12 Black Nut Cap (Pack Of 10)	34	£9.67
1685	M12 S/S Nut	35	£1.82
1684	M12 S/S Washer (Pack Of 5)	36	£6.22
42809A	Large Oval Hatch (18 Hole)	37	£234.48
1713	Oval Hatch Gasket (18 Hole)	38	£34.12
1753	M6 X 25Mm Set Screw (Pack Of 10)	39	£4.32
1753A	M6 X 20Mm Set Screw (Pack Of 10)	40	£4.32
1547 (W12633)	Filter Nozzle & Socket (LCP)	n/s	£15.99

Note: For LCX/LCP made post year 2007, refer to SMDD/SPDD spare list



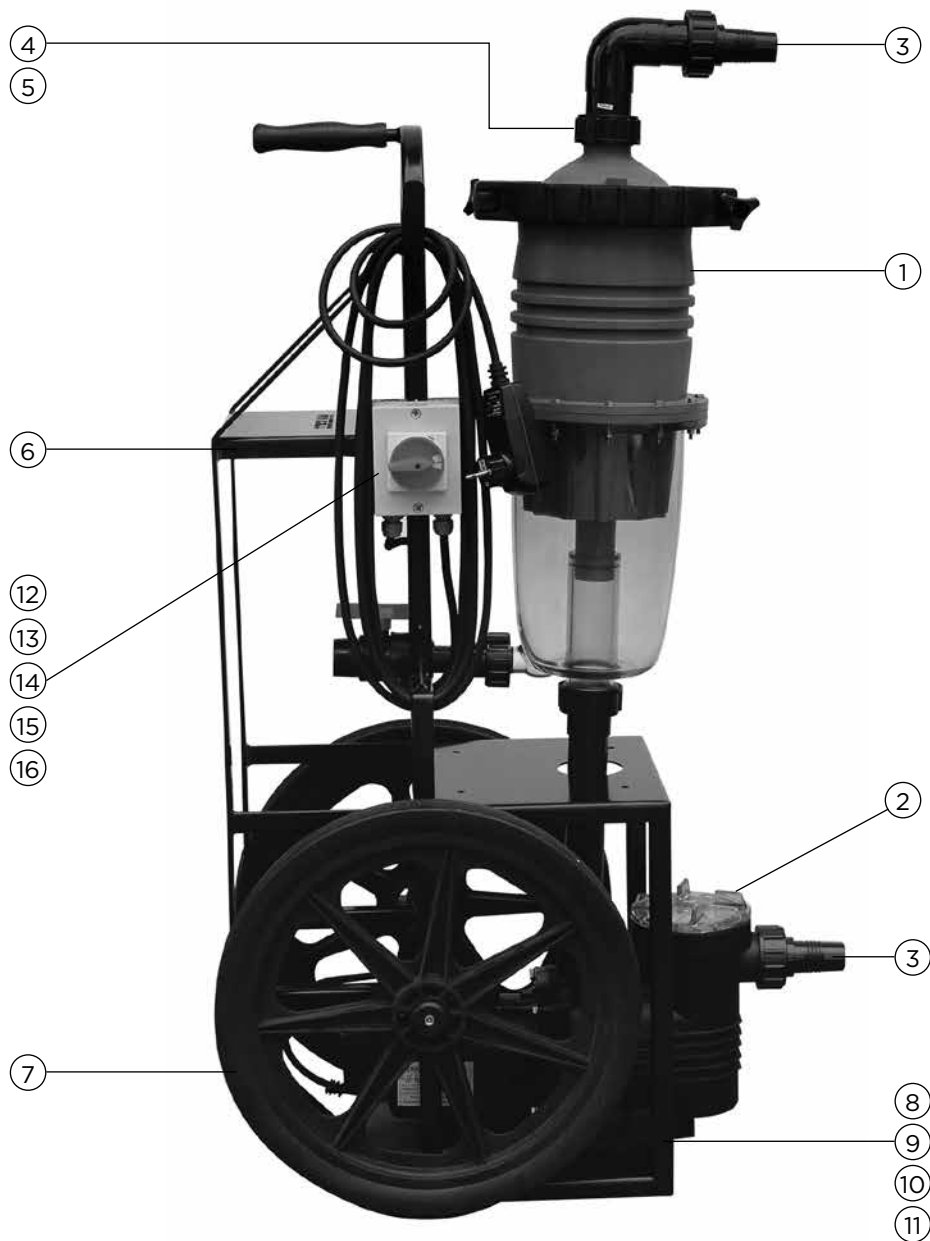
Hydro Commercial Strainer

Part Number	Product Description	Diagram No.	LIST PRICE
63409031	PP Strainer Housing 4" Threaded Port SS	1	£175.00
63409032	PP Strainer Housing 6" Flange Port SS	1	£189.20
63450581	PP Strainer Housing 4" Flange Port B/Hydro	1	TBA
63450582	PP Strainer Housing 4" Threaded Port B/Hydro	1	TBA
63450580	PP Strainer Housing 6" Flange Port B/Hydro	1	TBA
63450500	Hair & Lint Pot Lid 12" PC Clear	2	£128.93
62027	Opal Lid O Ring BS452A	3	£23.82
620232	Filter Lock Ring 12"	4	£344.40
63450520	Strainer Basket PP	5	£110.23
63402302	Drain Plug 1/4" BSP	6	£2.10
620193	O Ring BS112	7	£2.68
6202321	Handles x 2, Opal Lid/12" + 16" lock ring	8	£36.97
AXFI168	CF Knob	9	£7.00



Ultra Portable Cart

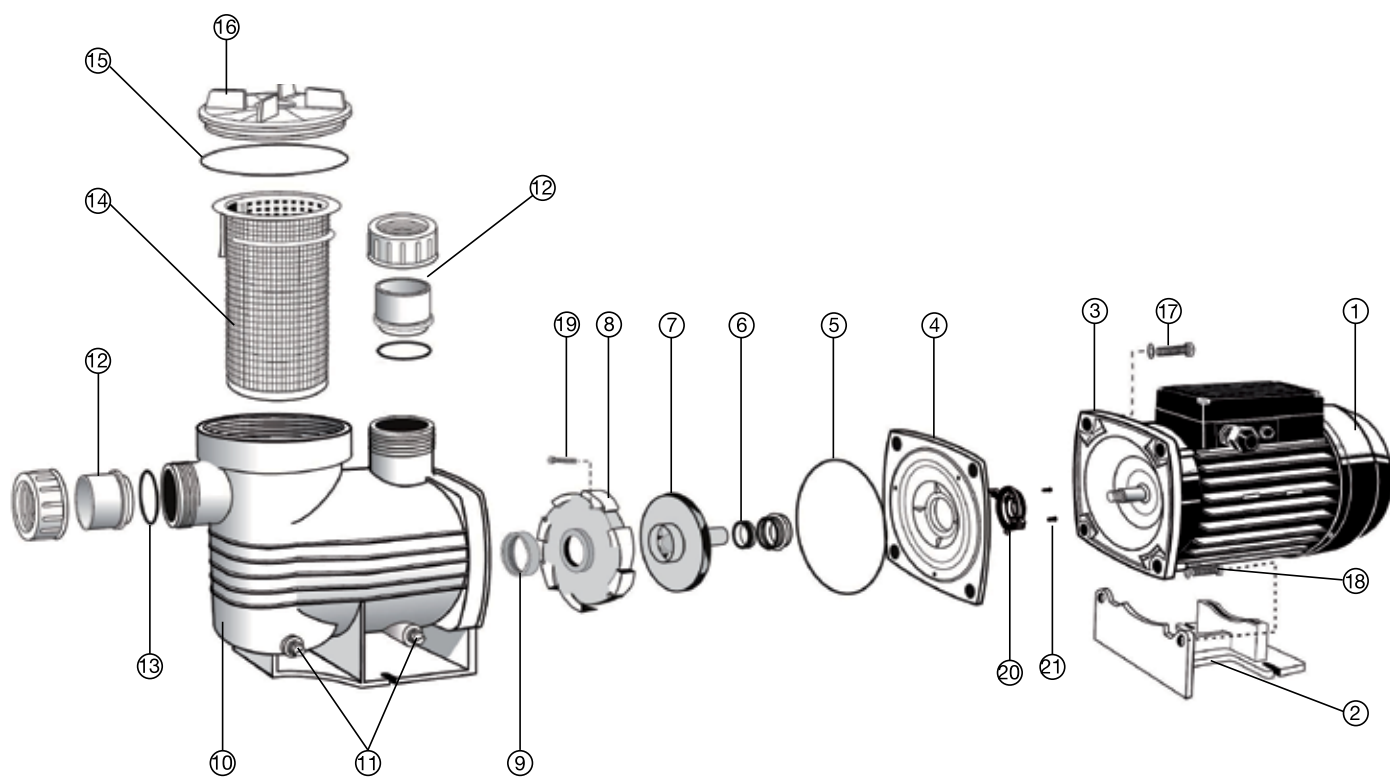
Part Number	Product Description	Diagram No.	LIST PRICE
200380	Multicyclone 12 Plus C40 Cart 50mm Metric EUM	1	£547.66
2403050PNR-M	Supastream Pump 050 PNR Metric	2	£429.90
122312	Hose Adaptor Barbed 1" x 1/2" Union	3	£3.66
W02213	O-Ring 40mm B/U EPDM	4	£3.56
W02208B	B/U Threaded End Slip / THRD 40mm Black	5	£6.69
W32483	Metal Trolley Rack	6	£931.28
W32487	Hollow Tread Wheel with PP Spoked Rim 20" x 1 3/4"	7	£81.80
6340040	Bolt M6 x 20 SS316 For Pump Foot Mounting	8	TBA
W32478	Washer M6 SS304 For Pump Foot Mounting	9	TBA
W32479	Nut Hex M6 SS316 For Pump Foot Mounting	10	TBA
6340030	Washer M6 SS316 For Pump Foot Mounting	11	TBA
W32480	Screw M4 x 40 Allen Cap SS316 For Isolator Mounting	12	TBA
6340826	Nut M4 Nyloc Hexagonal SS304 For Isolator Mounting	13	£1.09
W32482	Washer M4 SS316 For Isolator Mounting	14	TBA
S13314A	Wire Loom 1.5 x 300 Green For Grounding	15	TBA
W32484	Isolator 32A 230V - 440V & RCD Plug & Cable Assembly Suit UK Plug	16	TBA



Aquamite

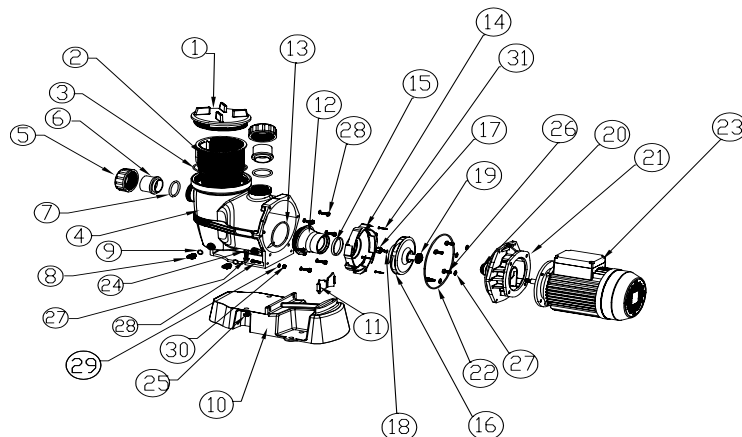
Part Number	Product Description	Diagram No.	LIST PRICE
635029EM	Motor 0.37kW single phase motor (Pre November 2015)	1	£287.72
635030EM	Motor 0.55kW single phase motor (Pre November 2015)	1	£287.72
635034EM	Motor 0.75kW single phase motor (Pre November 2015)	1	£287.72
6350255	Motor 550W (For 0.33HP - 1HP)		£287.72
6350275	Motor 750W (1.25HP)		£287.72
631781	Motor slinger (for 635034E)	n/s	£3.35
635072	Pump foot	2	£9.64
635074	Pump foot insert	n/s	£2.29
6340222	Pump Foot (Post November 2015)		£12.95
634021	Pump Foot Insert (Post November 2015)		£7.92
S1226911	Pump body o ring	5	£2.88
6340162	Mechanical seal (316 S/S)	6	£46.03
63401625	Mechanical seal (Silicon Carbide S/S Viton)	6	£116.99
635064	Impeller (Aquamite 33)	7	£47.00
635065	Impeller (Aquamite 50)	7	£47.00
635066	Impeller (Aquamite 75)	7	£47.00
635067	Impeller (Aquamite 100)	7	£47.00
635068	Impeller (Aquamite 125)	7	£47.00
635061	Diffuser	8	£22.65
635060	Diffuser gasket	9	£3.95
635082	Pump face Hair/Lint pot body	10	£118.91
63402302	Drain plug	11	£2.10
620193	O-Ring BS112	n/s	£2.68
122243B	1 1/2" half union c/w o ring	12	£5.18
122245B	50mm European metric half union c/w o ring	12	£5.33
W02213	Half union o ring	13	£3.56
635085	H/L pot basket	14	£9.49
635084	H/L pot lid o ring	15	£4.69
635083	H/L Pot lid	16	£32.12
63505321	Aquamite multi pack M8 bolts & washers	17/18	£8.38
	2 x 635053 (M8 x 30 bolt)		
	4 x 630218 (M8 washer)		
	2 x 6350540 (M8 x 40 bolt)		
63506351	Aquamite/Aquastream Adaptor Kit:-		£97.89
	63506340 - Square bracket kit	4/19	
	S1290816 - Screw M3x30mm Pan Head SS (each, 4 required)	19	
	6340165 - Flange Protector kit	20	
	63400833 - Screw # 4 x 3/8" pan head SS (each, 2 required)	21	
	6340162 - Mechanical Seal SS 316	6	
85517	Solar Insert Check Valve	22	£5.58
634086	Lid Toolbar (suits all pumps)	n/s	£8.05
For pumps with fan covers including screw fixings:			
6340451	Capacitors for Aquamite 033 & 050	n/s	£42.60
6340452	Fans for Aquamite 033 & 050	n/s	£7.26
6340444	Fan covers for Aquamite 033 & 050	n/s	£15.98
6340446	Capacitors for Aquamite 075, 100 & 125	n/s	£48.25
6340454	Fans for Aquamite 075, 100 & 125	n/s	£9.11
6340440	Fan covers for Aquamite 075, 100 & 125		£15.82
634044704	Capacitor For Aquamite 0.33HP - 1.25HP (Post November 2015)		£43.05
For pumps with push on fan covers:			
634044	Fan cowling (100,125,150)	n/s	£15.82
63404411	Fan cowling (50,75)	n/s	£15.82
634045	Fan (100,125,150)	n/s	£8.56
63404502	Fan (50,75)	n/s	£8.56
634044701	Capacitor (100,125)	n/s	£60.75
63404472	Capacitor (150)	n/s	£60.68
634044601	Capacitor (50, 75)	n/s	£72.09

Aquamite



Lacronite Pump

Part Number	Product Description	Diagram No.	LIST PRICE
63400821	Screw PT SS316 M4x25mm	31	£2.01
6340060	H&L Pot Foot Nut M6 Ss316	30	£2.95
6340030	H&L Pot Foot Washer M6 SS316	29	£6.54
6340040	H&L Pot foot bolt (x20) SS316	28	£4.65
6302180	Mounting Washer SS316 5/16x5/8	27	£0.44
63401830	Hex set M8x20 SS316 (bracket to motor)	26	£0.69
W22039	Nut M8 Heat Pump	25	£6.82
W22424	Bolt M8x25mm SS316	24	£4.65
63402700	Motor 700W (For 0.75HP & 0.5HP)	23	£311.70
6340274EM	Motor 1HP	23	£526.04
6340271	Motor 120W (For 1.25HP)	23	£611.17
63402751	Motor 1500W (For 2HP)	23	£696.80
634017	Bracket O-Ring	22	£6.80
63402033	Bracket Assembly MK3	21	£101.89
6340162	Mechanical Seal SS316	19 & 20	£46.03
82444205	O-Ring BS011	18	£0.27
W22912	L/H Cap Screw Moulded (x10)	17	£10.17
63401255	050 Impeller	16	£48.19
63401256	050, 075 Impellor	16	£48.20
63401257	100 Impellor (with hole)	16	£51.80
6340130	125 Impellor (with hole)	16	£51.80
63401430	150 Impellor (with hole)	16	£51.80
6340145	200 Impellor (with hole)	16	£51.80
634011	Diffuser Gasket	15	£5.20
634010	Diffuser	14	£48.35
6340113	Diffuser O-Ring	13	£4.52
634079	Suction Nozzle	12	£14.25
634021	Pump Foot Insert	11	£7.93
6340892	Lacronite Pump Base	10	£51.64
620193	O-Ring BS112	9	£2.68
63402301	Drain Plug 1/4" NPT	8	£2.10
122243B	1/2" Union Complete with O-Ring	5,6 & 7	£5.18
122245B	50mm Union Complete with O-Ring	5,6 & 7	£5.33
6340894	Lacronite Pump Housing 1/2 Port	4	£98.96
63151	H&L Pot Lid O-Ring	3	£6.61
6340891	Lacronite H&L pot	2	£17.09
634000	H&L Pot Lid	1	£37.79
For pumps with fan covers including screw fixings:			
6340451	Capacitors for Aquamite 033 & 050	n/s	£42.60
6340452	Fans for Aquamite 033 & 050	n/s	£7.26
6340444	Fan Covers for Aquamite 033 & 050	n/s	£15.98
6340446	Capacitors for Aquamite 075, 100 & 125	n/s	£48.25
6340454	Fans for Aquamite 075, 100 & 125	n/s	£9.11
6340440	Fan Covers for Aquamite 075, 100 & 125	n/s	£15.82
For pumps with push on fan covers:			
634044	Fan Cowling (100,125,150)	n/s	£15.82
63404411	Fan Cowling (50,75)	n/s	£15.82
634045	Fan (100,125,150)	n/s	£8.56
63404502	Fan (50,75)	n/s	£8.56
634044701	Capacitor (100,125)	n/s	£60.75
63404472	Capacitor (150)	n/s	£60.68
634044601	Capacitor (50, 75)	n/s	£72.09

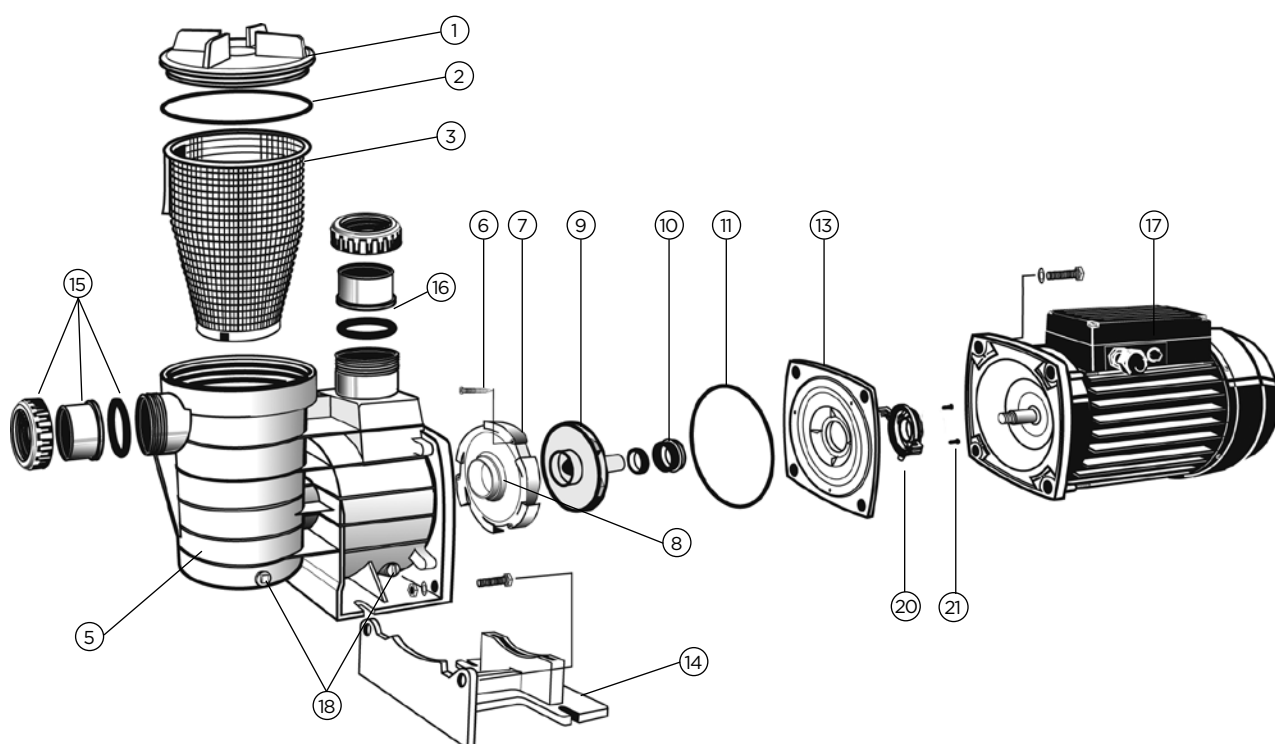


Supatuf

Part Number	Product Description	Diagram No.	LIST PRICE
634000	H/L pot lid	1	£37.79
63151	H/L pot lid o ring	2	£6.61
6350011	H/L pot basket mk2	3	£15.24
6350191	Pump face H/L pot body (Supatuf 50 - 200)	5	£103.06
63501912	Pump face H/L pot (Supatuf 250 - 300)	5	£103.06
635017	Diffuser (Supatuf 50 - 200)	7	£33.76
635022	Diffuser (Supatuf 250 - 300)	7	£33.76
634011	Diffuser gasket	8	£5.20
635015	Impeller (Supatuf 50)	9	£57.55
635010	Impeller (Supatuf 75)	9	£57.55
63501100	Impeller (Supatuf 100)	9	£57.55
6350140	Impeller (Supatuf 125)	9	£57.55
63501200	Impeller (Supatuf 150)	9	£57.55
6350134	Impeller (Supatuf 200)	9	£57.55
6350230	Impeller (Supatuf 250)	9	£57.55
6350160	Impeller (Supatuf 300) (suit screw type)	9	£57.55
6350180	Impeller (Supatuf 350) (suit screw type)	9	£57.55
6340162	Mechanical seal (316 s/s)	10	£46.03
63401625	Mechanical seal (Silicon Carbide S/S Viton)	10	£116.99
635028	Pump body o ring	11	£2.88
6340222	Pump foot (Supatuf 75 -125)	14	£12.95
6340223	Pump foot (Supatuf 150 - 250)	14	£12.95
634024BLK	2" Half union c/w o ring	15	£7.99
634024EBLK	63mm European metric Half union c/w o ring	15	£7.99
W02280	Half union o ring	16	£2.74
635029EM	Motor 0.37 kW single phase (For 0.5HP)	17	£287.72
635030EM	Motor 0.55 kW single phase (For 0.75HP)	17	£287.72
635034EM	Motor 0.75 kW single phase (For 1HP & 1.25HP)	17	£287.72
635035EM	Motor 1.10 kW single phase (For 1.5HP)	17	£287.72
635036EM	Motor 1.50 kW single phase (For 2HP & 2.5HP)	17	£388.43
635038EM	Motor 1.80 kW single phase (For 3HP)	17	£441.18
63502933	Motor 0.37 kW three phase (IE3)	17	£286.89
63503033	Motor 0.55 kW three phase (IE3)	17	£286.89
63503433	Motor 0.75 kW three phase (IE3)	17	£306.90
63503533	Motor 1.10 kW three phase (IE3)	17	£330.88
63503633	Motor 1.50 kW three phase (IE3)		£388.43
63503733	Motor 1.80 kW three phase (IE3)	17	£441.18
63503833	Motor 2.20 kW three phase (IE3)	17	£441.18
63402301	Drain Plug	18	£2.10
6340020	Supatuf M6 multi pack bolts & washers	n/s	£3.94
	2 x 6340060 (M6 nut)		
	2 x 6340030 (M6 washer)		
	2 x 63400410 (M6 x 25 bolt)		
63401813	Supatuf M10 multi pack bolts & washers (pre 2003)	n/s	£7.25
	4 x 6302181 (M10 washer)		
	4 x 6340181 (M10 x 30 bolt)		
63401812	Supatuf M8 multi pack bolts & washers(2003 current body)	n/s	£5.32
	4 x 6302180 (M8 washer)		
	4 x 6350530 (M8 x 30 bolt)		
634086	Lid Toolbar (suits all pumps)	n/s	£8.05
6350212	Adaptor kit for Supatuf/Supaflo (50 - 200)		£96.98
	6350215 -Square Bracket	13	
	S1290816 - Screw M3x30mm Pan Head SS (each, 3 required)	6	
	6340165 - Flange Protector Kit	20	
	63400833 - Screw # 4 x 3/8" Pan Head SS (each, 2 required)	21	
	6340162 - Mechanical Seal SS 316	10	
TBA	Adaptor kit for Supatuf/Supaflo (250 - 350)		£96.98
	6350215 -Square Bracket	13	
	63400835 - Screw M3x45 SS304 Pan Head SS (each, 3 required)	6	
	6340165 - Flange Protector Kit	20	
	63400833 - Screw # 4 x 3/8" Pan Head SS (each, 2 required)	21	
	6340162 - Mechanical Seal SS 316	10	
	620193 - Drain Plug O-Ring BS112		

Supatuf

6350215	Adapter plate	13	£23.77
6340162	Mechanical seal (316 s/s)	10	£46.03
63401625	Mechanical seal (Silicon Carbide S/S Viton)	10	£116.99
634086	Lid Toolbar (suits all pumps)	n/s	£8.05
6340451	Capacitors for Supatuf 050	n/s	£42.61
6340452	Fans for Supatuf & 050	n/s	£7.26
6340444	Fan covers for Supatuf 050	n/s	£15.98
6340446	Capacitors for Supatuf 075, 100 & 125	n/s	£48.25
6340454	Fans for Supatuf 075, 100 & 125	n/s	£9.12
6340440	Fan covers for Supatuf 075, 100 & 125	n/s	£15.98
6340447	Capacitors for Supatuf 150, 200 & 250	n/s	£47.80
6340455	Fans for Supatuf 150, 200 & 250	n/s	£9.12
6340443	Fan covers for Supatuf 150, 200 & 250	n/s	£15.83



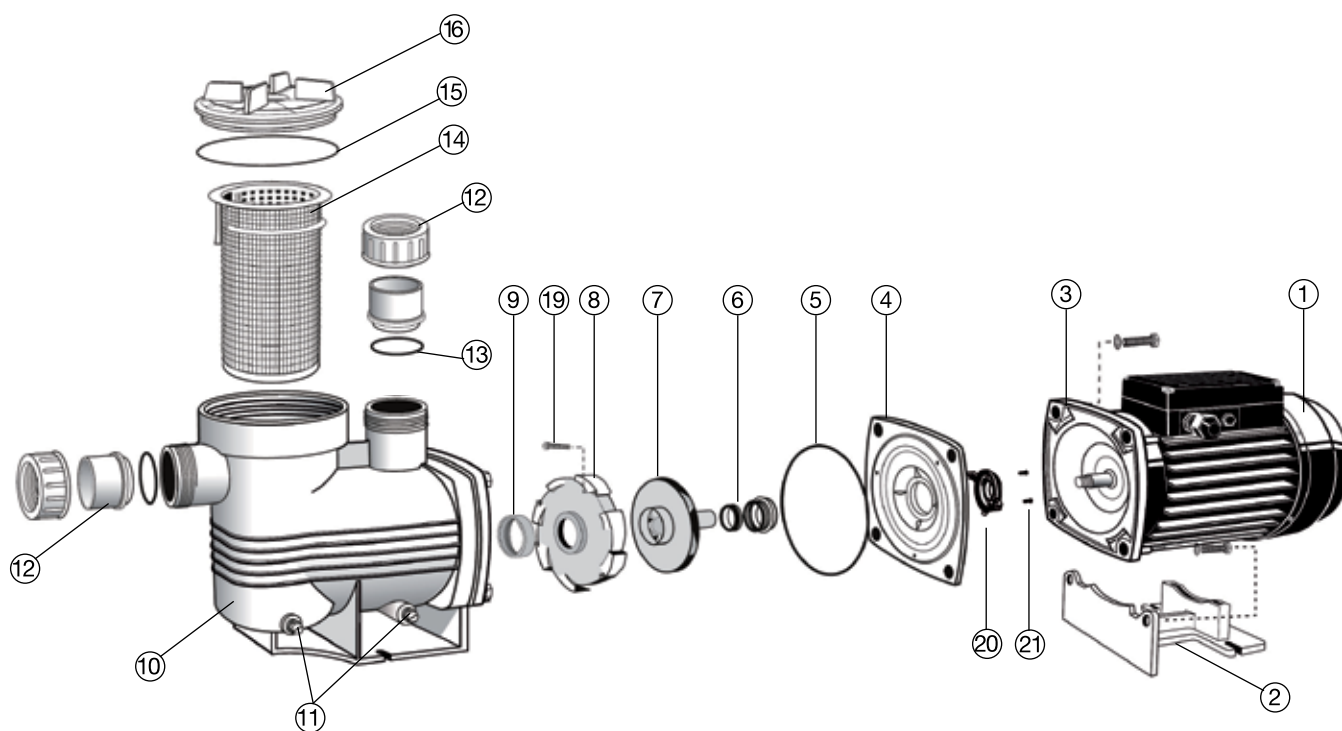
Supastream

Part Number	Product Description	Diagram No.	LIST PRICE
635029EM	Motor 0.37 kW Single Phase (Pre July 2014)	1	£287.72
635030EM	Motor 0.55 kW Single Phase (Pre July 2014)	1	£287.72
635034EM	Motor 0.75 kW Single Phase (Pre July 2014)	1	£287.72
635035EM	Motor 1.10 kW Single Phase (Pre July 2014)	1	£287.72
6350293EM	Motor 0.37 kW Three Phase (Pre July 2014)	1	£286.89
6350303EM	Motor 0.55 kW Three Phase (Pre July 2014)	1	£286.89
6350343EM	Motor 0.75 kW Three Phase (Pre July 2014)	1	£306.90
6350353EM	Motor 1.10 kW Three Phase (Pre July 2014)	1	£330.88
6350255	Motor 550W (For 1Hp & 1.25Hp) (Post July 2014)		£287.72
6350275	Motor 750W (For 0.5Hp & 0.75Hp) (Post July 2014)		£287.72
6350295	Motor 1100W (For 1.5Hp) (Post July 2014)		£330.88
635072	Motor Pump Foot (Pre July 2014)	2	£9.65
635074	Pump Foot Insert (Supastream 75, 100 & 125) (Pre July 2014)	n/s	£2.30
6340222	Pump Foot (Pre July 2014)		£12.95
634021	Pump Foot Insert 0.5Hp - 1Hp)		£7.92
63506314	Square Bracket With Brass Insert	4	£23.78
S1226911	Pump Body O Ring	5	£2.88
6340162	Mechanical Seal (316 S/S)	6	£46.03
63401625	Mechanical Seal (Silicon Carbide S/S Viton)	6	£116.99
635065	Impeller (Supastream 50)	7	£47.00
635096	Impeller (Supastream 75)	7	£47.00
635097	Impeller (Supastream 100)	7	£47.00
635098	Impeller (Supastream 125)	7	£47.00
635099	Impeller (Supastream 150)	7	£47.00
635061	Diffuser	8	£22.65
635060	Diffuser Gasket	9	£3.95
W12963	Pump Face H/L Pot Body	10	£118.91
63402302	Drain Plug 1/4" BSP	11	£2.10
122243B	1 1/2" Half Union C/W O Ring	12	£5.18
122245B	50mm European Metric Half Union C/W O Ring	12	£5.33
W02213	Half Union O-Ring	13	£3.56
635087	H/L Pot Basket	14	£13.91
635052	H/L Pot Lid O Ring	15	£4.69
635051	H/L Pot Lid	16	£33.76
S1160963	Supastream M8 Multi Pack Bolts & Washers	17	£6.28
	2 X 6350530 (M8 X 30 Bolt) (Pre July 2014)		
	4 X 6302180 (M8 Washer) (Pre July 2014)		
	2 X 6350530 (M8 X 30 Bolt) (Pre July 2014)		
	4 X 6350540 (M8 X 40 Bolt) (Post July 2014)		
	4 X 6302180 (M8 Washer) (Post July 2014)		
634086	Toolbar (suit all pumps)	n/s	£8.05
635063510	Adaptor kit		£97.90
	63506350 - Square Bracket Kit	4 & 19	
	S1290816 - Screw M3 x 30mm Pan Head SS (each, 4 required)	19	
	6340165 - Flange Protector Kit	20	
	63400833 - Screw#4x3/8" Pan Head SS (each, 2 required)	21	
	6340162 - Mechanical Seal SS 316	6	
	63813922 - O-Ring BS029		
6340446	Capacitors for Supastream 075, 100 & 125	n/s	£47.80
6340454	Fans for Supastream 075, 100 & 125	n/s	£9.12
6340440	Fan covers for Supastream 075, 100 & 125	n/s	£15.83
6340447	Capacitors for Supastream 150, 200 & 250	n/s	£47.79
6340455	Fans for Supastream 150, 200 & 250	n/s	£9.11
6340443	Fan covers for Supastream 150, 200 & 250	n/s	£15.83
For pumps with fan covers including screw fixings:			
6340451	Capacitors for Supastream 033 & 050	n/s	£42.60
6340452	Fans for Supastream 033 & 050	n/s	£7.26
6340444	Fan covers for Supastream 033 & 050	n/s	£15.98
6340446	Capacitors for Supastream 075, 100 & 125	n/s	£47.80
6340454	Fans for Supastream 075, 100 & 125	n/s	£9.12
6340440	Fan covers for Supastream 075, 100 & 125		£15.82
634044704	Capacitor For Supastream 0.5 - 1.5HP (Post July 2014)		£60.75

Supastream

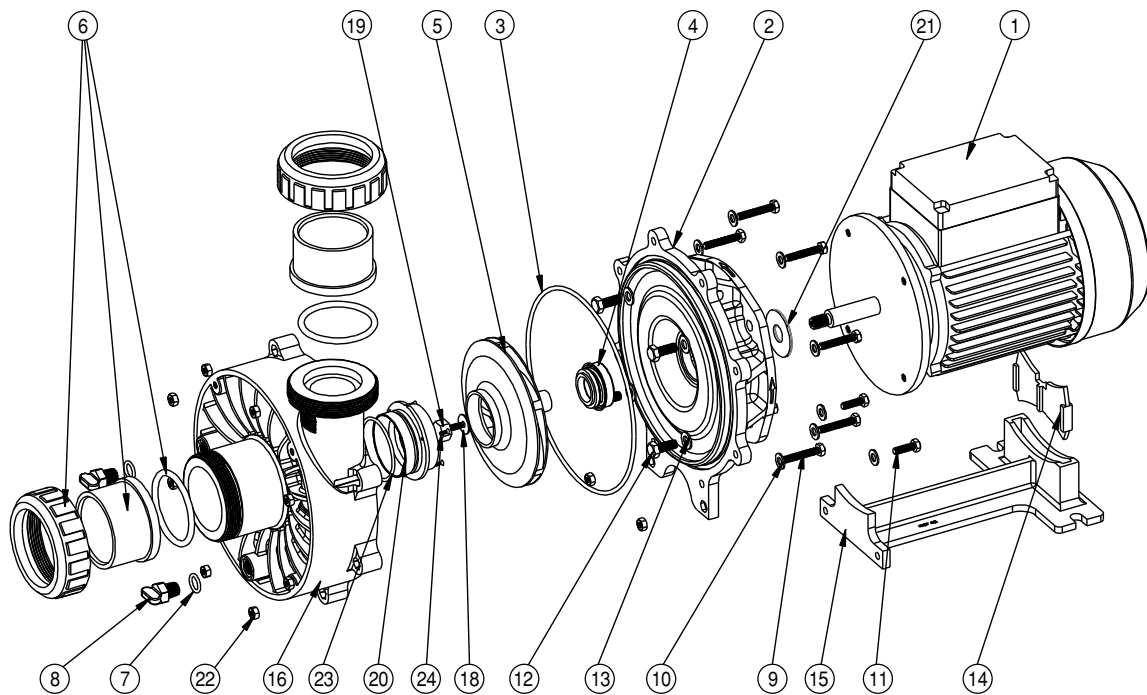
For pumps with push on fan covers:

634044	Fan cowling (100,125,150)	n/s	£15.83
63404411	Fan cowling (50,75)	n/s	£15.83
634045	Fan (100,125,150)	n/s	£8.56
63404502	Fan (50,75)	n/s	£8.56
634044701	Capacitor (100,125)	n/s	£60.75
63404472	Capacitor (150)	n/s	£60.68
634044601	Capacitor (50, 75)	n/s	£72.09



Turboflo

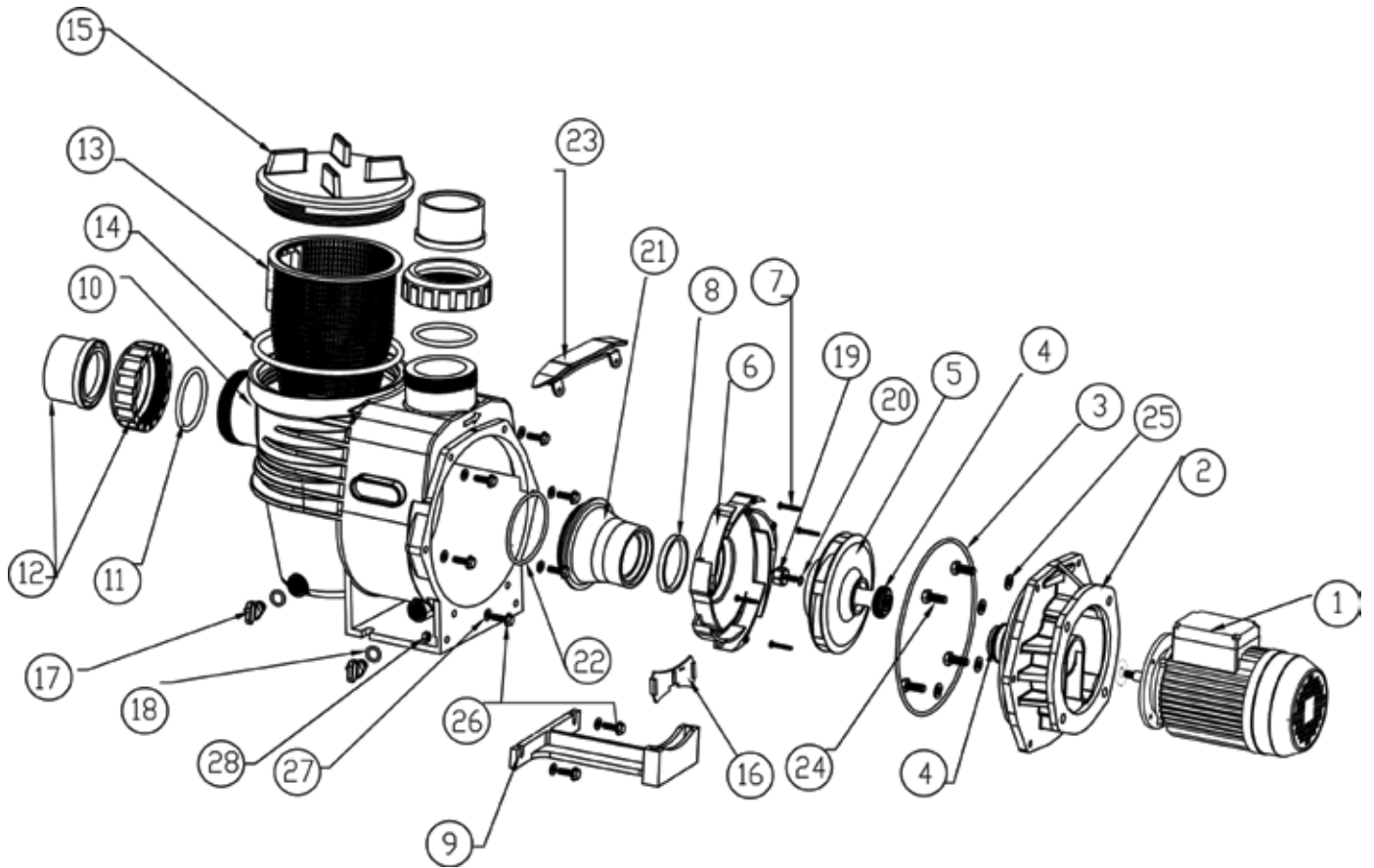
Part Number	Product Description	Diagram No.	LIST PRICE
6340274EM	Motor 0.75HP & 1HP, IPH	1	£311.70
634027433	Motor 0.75HP & 1HP, 3PH, IE3	1	£374.07
6340275EM	Motor 1.25HP & 1.5HP, 2HP, IPH	1	£359.65
634027533	Motor 1.25HP & 1.5HP, 2HP, 3PH, IE3	1	£419.63
6340277EM	Motor 2.5HP, IPH	1	£455.49
63402933	Motor 2.5HP, 3PH, IE3	1	£574.37
634030EM	Motor 3.0HP, IPH	1	£607.42
63403033	Motor 3.0HP, 3PH, PE3	1	-
634040313	Motor 4HP, 3PH, IE3	1	£634.88
634101	Bracket	2	£93.08
61307	Bracket O-Ring	3	£6.80
6340162	Mechanical seal	4	£46.03
634012	Impeller - 1.0hp	5	£51.80
6340143	Impeller - 1.5hp	5	£51.80
6340145	Impeller - 2.0hp	5	£51.80
6340157	Impeller - 2.5hp	5	£51.80
63401534	Impeller - 3.0hp	5	£51.80
634055	Impeller - 4.0hp	5	£61.37
634024BLK	Half Union 50mm with O Ring (x2)	6	£7.99
620193	Drain Plug O Ring - BS112 (x2)	7	£2.68
63402301	Drain Plug (x2)	8	£2.10
63400411	Hex Set Screw - M6x35 SS316 (x8)	9	£1.26
6340030	Washer - 1/4x9 SS316 (x10)	10	£4.65
6340040	Hex Set Screw - M6x20 SS316 (x2)	11	£1.15
63401830	Hex Set Screw - M8x20 SS316 (x4)	12	£0.69
6302180	Washer - 5/16x5 SS316 (x4)	13	£0.44
63402122	Foot Insert (alternate)*	14	£7.92
634106	Pump Foot	15	£8.53
634100	Pump Body	16	£81.60
82444205	O-Ring BS011 (3HP & Below)	18	£1.68
6340412	O Ring (for 4.0hp)	18	£0.27
W22912	H/Hand Screw M5 x 18 Moulded (3HP & Below)	19	£10.17
6340411	Nut M10 Overmoulded 4.0hp	19	£11.06
634104	Suction Nozzle - 1.0hp to 2.5hp	20	£3.10
631781	Motor Slinger - 1.0hp to 2.5hp	21	£3.35
631782	Motor Slinger - 3.0hp, 4.0hp	21	£4.46
72591133	Suction Nozzle O Ring - BS138 (1.0hp to 2.5hp)	23	£1.92
63612642	PT Screw 3Gx6.5, Countersunk SS316 (x3)	24	£0.33



Hydrostorm

Part Number	Product Description	Diagram No.	LIST PRICE
6340274EM	Motor 0.75 Kw Single Phase	1	£311.70
6340275EM	Motor 1.10 Kw Single Phase	1	£359.65
6340277EM	Motor 1.50 Kw Single Phase	1	£455.49
634030EM	Motor 2.20 Kw Single Phase	1	£607.42
634027433	Motor 0.75 Kw Three Phase 1e3	1	£311.70
634027533	Motor 1.10 Kw Three Phase 1e3	1	£359.65
63402933	Motor 1.50 Kw Three Phase 1e3	1	£455.50
6340303EM	Motor 2.20 Kw Three Phase 1e3	1	£607.42
63402033	Mounting Bracket/Adaptor Plate	2	£101.89
634017	Pump Body O-Ring	3	£6.80
6340162	Mechanical Seal (316 S/S)	4	£46.03
63401625	Mechanical Seal (Silicon Carbide S/S Viton)	4	£116.99
6340120	Impeller (Hydrostorm 75)	5	£51.80
6340130	Impeller (Hydrostorm 100)	5	£51.80
63401430	Impeller (Hydrostorm 150)	5	£51.80
6340145	Impeller (Hydrostorm 200) suit retaining screw type	5	£51.80
6340157	Impeller (Hydrostorm 250)	5	£51.80
63401534	Impeller (Hydrostorm 300)	5	£51.80
63401533	Impeller (Hydrostorm 350)	5	£51.80
W22912	L/Hand Screw Moulded M5 x 18	19	£10.17
82444205	O-Ring BS011	20	£1.68
634010	Diffuser (Hydrostorm 75, 100, 150, 200, 250)	6	£48.35
6340103	Diffuser (Hydrostorm 300, 350)	6	£36.46
W22841	Diffuser Screw (set of 4) (1HP - 2.5HP)	19	£2.76
82444205	O-Ring BS011	20	£1.68
634011	Diffuser Gasket	8	£5.20
6340113	Diffuser O-Ring 3.50hp	8	£4.52
634022	Pump Foot	9	£13.99
634021	Pump Foot Insert (Hydrostorm 300-350 & All 3 Phase)	16	£7.93
6340052	H/L Pot Body & Pump Face	10	£148.44
W02280	2" Half Union O-Ring	11	£2.74
634024BLK	2" Half Union C/W O Ring	12	£7.99
63402400	63Mm European Metric Half Union C/W O Ring	12	£7.99
122257	2" X 1 1/2" Half Union (Suit 1.00, 1.25Hp 2002)	12	£9.00
634001	H/L Pot Basket	13	£15.70
63151	H/L Pot Lid O-Ring	14	£6.61
634000	H/L Pot Lid	15	£37.79
63402301	Drain Plug 1/4" NPT	17	£2.10
620193	O-Ring BS112	18	£2.68
634018371	Hydrostorm M8 Multi Pack Bolts & Washers (316 S/S)	n/s	£13.31
	6 X 63401830 (M8 X 20 Bolt)		
	6 X 6302180 (M8 Washer)		
634086	Lid Toolbar (Suits All Pumps)	n/s	£8.05
6340446	Capacitors For Hydrostorm 075, 100 & 125	n/s	£47.80
6340454	Fans For Hydrostorm 075, 100 & 125	n/s	£9.11
6340440	Fan Covers For Hydrostorm 075, 100 & 125	n/s	£15.83
6340447	Capacitors For Hydrostorm 150, 200 & 250	n/s	£47.79
6340455	Fans For Hydrostorm 150, 200 & 250	n/s	£9.11
6340443	Fan Covers For Hydrostorm 150, 200 & 250	n/s	£15.83
6340790	Suction Nozzle (1HP - 2.5HP)	21	£14.24
6340810	Suction Nozzle (3HP - 3.5HP)	21	£15.35
6340113	O-Ring BS234	22	£4.52
63402030	Hydrostorm Bracket Handle	23	£5.70
63401830	Bolt M8 x 20 x 4	24	£0.69
6302180	Washer M8 x 4	25	£0.44
63400410	Bolt M6 x 25 x 6	26	£0.86
6340030	Washer M6 x 8	27	£4.65
6340060	Nut M6	28	£2.95

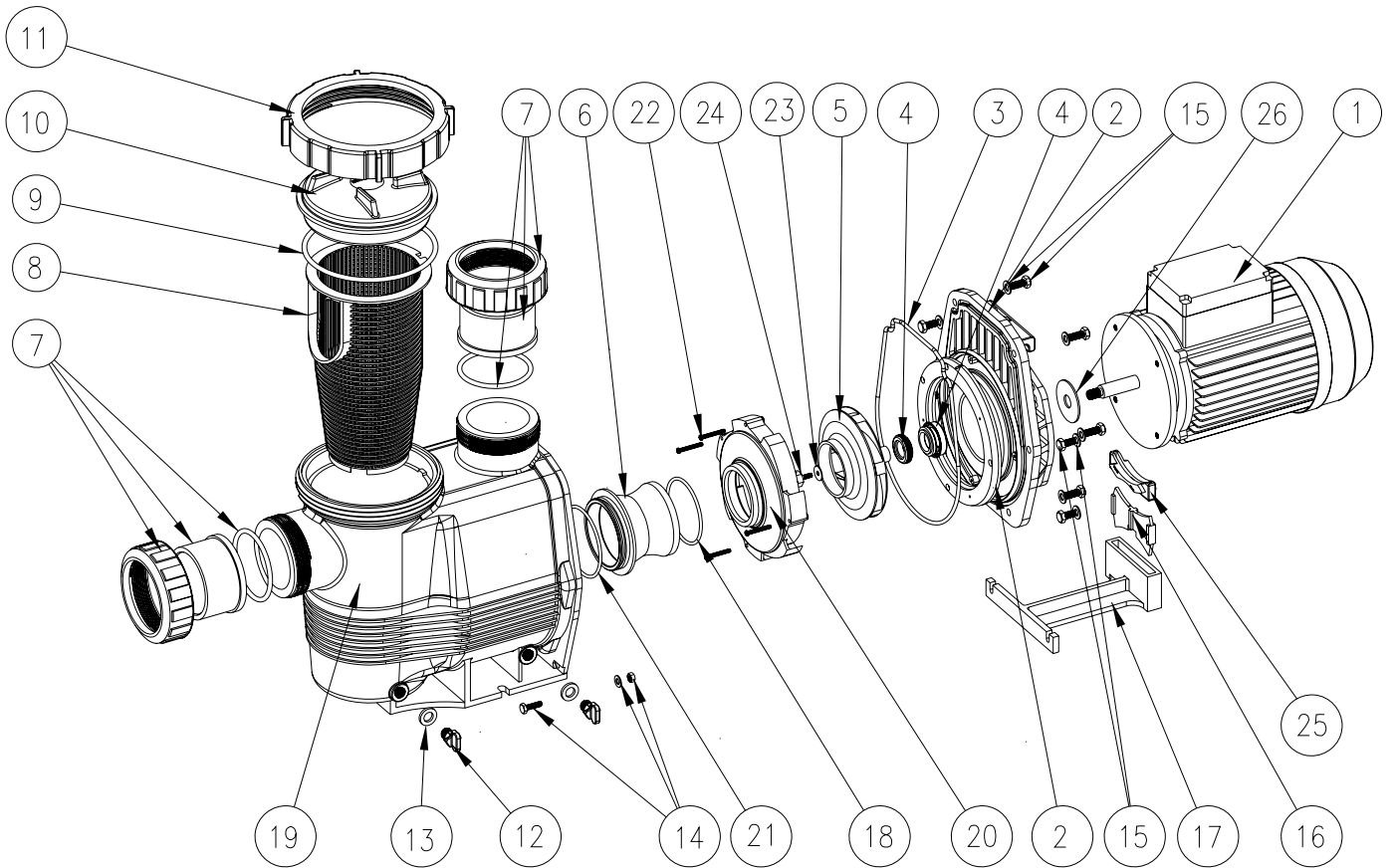
Hydrostorm



Hydrostorm Plus

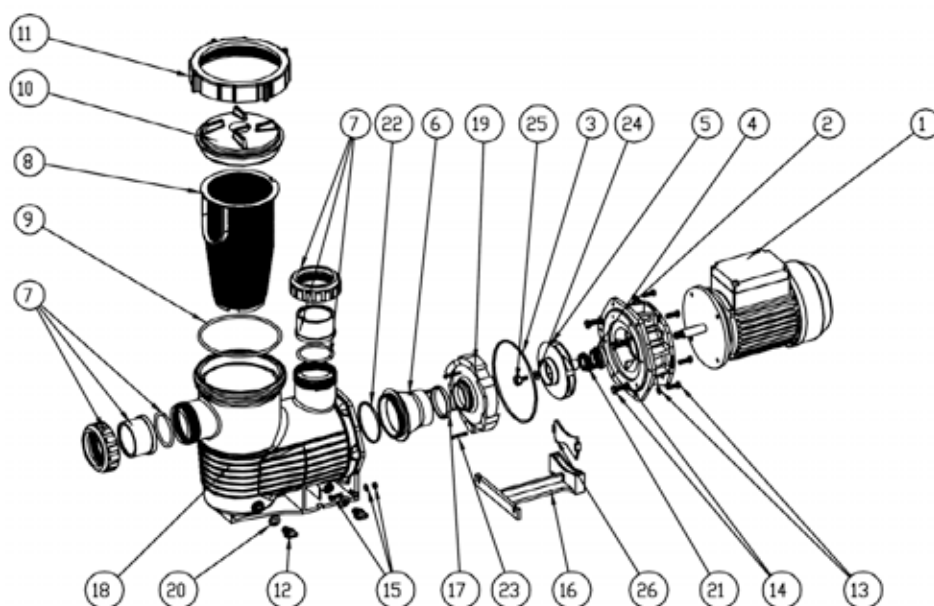
Part Number	Product Description	Diagram No.	LIST PRICE
6340274EM	Motor 0.75 kW Single Phase	1	£311.70
6340275EM	Motor 1.10 kW Single Phase	1	£359.65
6340277EM	Motor 1.50 kW Single Phase	1	£455.49
634030EM	Motor 2.20 kW Single Phase	1	£607.42
634027433	Motor 0.75 kW Three Phase	1	£311.70
634027533	Motor 1.10 kW Three Phase	1	£359.65
63402933	Motor 1.50 kW Three Phase	1	£455.50
63403773	Motor 1.80 kW Three Phase		£564.56
63403033	Motor 2.20 kW Three Phase	1	£607.42
63406813	Bracket Assembly	2	£154.48
634070	Pump Body O-Ring	3	£15.50
6340162	Mechanical Seal (316 S/S)	4	£46.03
63401625	Mechanical Seal (Silicon Carbide S/S Viton)	4	£116.99
6340120	Impeller (Hydrostorm Plus 100)	5	£51.80
6340130	Impeller (Hydrostorm Plus 125)	5	£51.80
63401430	Impeller (Hydrostorm Plus 150)	5	£51.80
6340145	Impeller (Hydrostorm Plus 200)	5	£51.80
6340157	Impeller (Hydrostorm Plus 250)	5	£51.80
63401534	Impeller (Hydrostorm Plus 300)	5	£51.80
63401533	Impeller (Hydrostorm Plus 350)	5	£51.80
634015350	Impeller With Flats (Hydrostorm Plus 400)	5	£66.53
634079	Suction Nozzle (100 - 250)	6	£14.24
634081	Suction Nozzle (300 - 400)	6	£14.24
634024Blk	2" Half Union C/W O Ring	7	£7.99
63402400	63Mm European Metric Half Union C/W O Ring	7	£7.99
W02280	2" Half Union O-Ring	7	£2.74
63406550Blk	2 1/2" / 2" Half Union (Suit 6340783)	7	£23.12
63406556Blk	2 1/2" / 2" Half Union C/W 63 Mm Metric Tail Piece	7	£23.12
63406565Eblk	2 1/2" Half Union C/W 75Mm Metric Tail Piece C/W O Ring	7	£23.12
644490	2 1/2" / 3" Half Union Plain End Only (Suit 6340783)	7	£6.20
12780	Coupling 3"	N/S	£11.06
634085	H/L Pot Basket	8	£19.09
61214	H/L Pot O Ring	9	£7.58
634082	H/L Pot Lid	10	£14.96
61209	H/L Pot Lock Ring	11	£24.46
63402301	Drain Plug	12	£2.10
620193	O-Ring Bs112	13	£2.68
634004211	Hydrostorm M6 Multi Pack Bolts & Washers (316 S/S)	14	£14.41
	2 X 6340040 (M6 X 20 Bolt)		
	2 X 6340030 (M6 Washer)		
	2 X 6340060 (M6 Nut)		
634018371	Hydrostorm M8 Multi Pack Bolts & Washers (316 S/S)	15	£13.31
	10 X 63401830 (M8 X 20 Bolt)		
	10 X 6302180 (M8 Washer)		
634021	Pump Foot Insert (100 - 350)	16	£7.93
634073	Pump Foot Insert (400 Only)	16	£7.93
634022	Pump Foot (100 - 350)	17	£12.95
634072	Pump Foot (400 Only)	17	£44.46
634011	Diffuser Gasket (100 - 250)	18	£5.19
6340113	Diffuser Gasket (300 - 400)	18	£4.52
634076	Pump Face H/L Pot Body 50Mm (Hydrostorm Plus 100 - 250)	19	£388.96
634078	Pump Face H/L Pot Body 65Mm (Hydrostorm Plus 300, 350)	19	£388.96
634010	Diffuser (Hydrostorm Plus 100 - 250)	20	£48.35
6340103	Diffuser (Hydrostorm Plus 300, 400)	20	£36.46
6340113	Suction Nozzle O-Ring	21	£4.52
W22841	Diffuser Screw (Set Of 4) (100 - 250)	22	£2.68
S1290816	Diffuser Screw (Set Of 4) (300 - 400)	22	£0.67
82444205	O-Ring Bs011 (1Hp - 3Hp)	23	£1.68
6340412	O Ring Bs113 (400 Only)	23	£0.25
W22912	4 Hand Screw M5 X 18 Moulded	24	£10.17
6340411	Nut M10 Overmoulded	24	£11.06
631782	Motor Slinger (1Hp - 2.5Hp)	26	£4.46
634086	Lid Toolbar (Suits All Pumps)	N/S	£8.05

Hydrostorm Plus



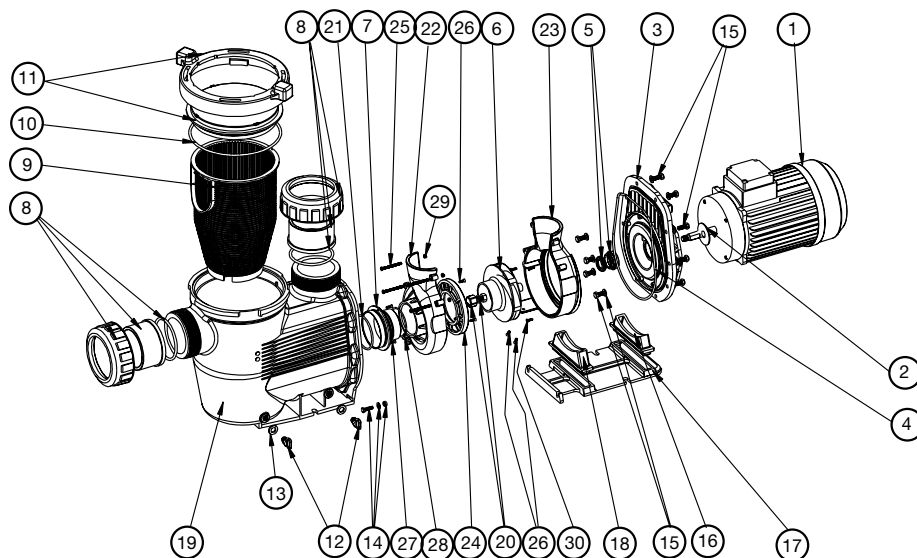
Hydrotuf

Part Number	Product Description	Diagram No.	LIST PRICE
6340274EM	Motor for Hydrotuf 100, 125	1	£311.70
6340275EM	Motor for Hydrotuf 150, 200 (Pre June 2016)		£359.65
63402743	Motor for Hydrotuf (Post June 2016)	1	£374.07
6350216	Hydrotuf Bracket	2	£37.93
635028	Pump Body O ring	3	£2.88
6340162	Mechanical Seal	4	£46.03
63501625	Mechanical seal (silicone carbide s/s viton)	4	£116.99
63501103	Impeller 100	5	£4.65
63501403	Impeller 125	5	£53.82
63501201	Impeller 150	5	£53.82
63401340	Impeller 200	5	£53.82
6350232	Impeller 250	5	£53.83
6350162	Impeller 300	5	£53.83
634079	Suction Nozzle	6	£14.25
634024BLK	50mm Half Union C/W O ring	7	£7.99
634085	H/L Pot Basket	8	£19.09
61214	H/L Pot O ring	9	£7.58
634082	H/L Pot Lid	10	£14.96
61209	H/L Pot Lock Ring	11	£24.46
63402301	Drain Plug 1/4" NPT (2 required)	12	£2.10
620193	O-Ring BS112		£2.68
634018371	M8 Multi Pack Bolts & Washers 316 S/S 10 x 6302180 M8 Washer (4 required) 10 x 63401830 M8 x 20 Bolt (4 required)	14	£13.31
634004211	M6 Multi Pack Bolts & Washers 316 S/S 2 x 6340030 M6 Washer (8 required) 2 x 6340040 M6 x 20 Bolt (8 required) 2 x 6340060 M6 Nut (2 required)	15	£14.41
6340223	Pump Foot	16	£12.95
634011	Diffuser Gasket	17	£5.19
63501915	Pump Face H/L Pot Body 50mm	18	£169.36
635017	Diffuser	19	£33.76
6340212	Pump Foot Insert (150, 200)	26	£19.36
63402123	Pump Foot Insert (075, 100, 125)	26	£19.36
634086	Lid Toolbar (suits all pumps)	n/s	£8.05
6340113	O-Ring BS234	22	£4.53
S1290816	Diffuser Screw (Require 4)	23	£0.67
82444205	O-Ring BS011	24	£1.68
W22912	L/Hand Screw Moulded	25	£10.17



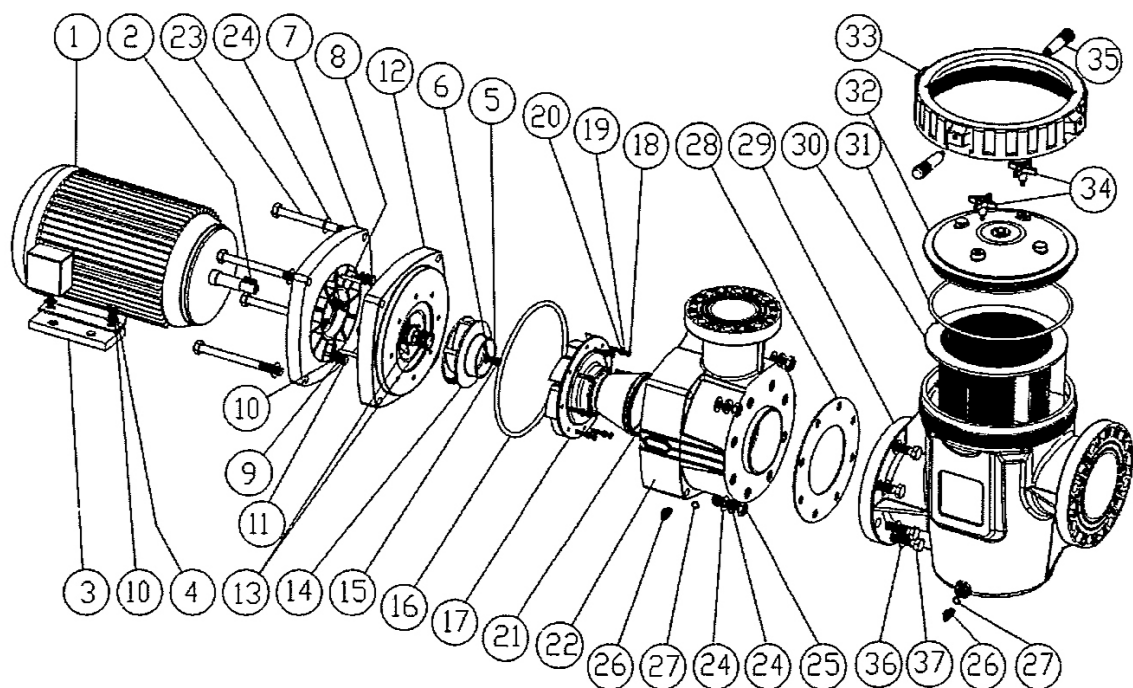
Hydrostar Commercial MK3 (Post 08/2006)

Part Number	Product Description	Diagram No.	LIST PRICE
634040313	Motor 3 kW Three Phase IE3 (Hydrostar 400, 500)	1 & 2	£951.10
634055313	Motor Three Phase IE3 (Hydrostar 600)	1 & 2	£1,142.91
6340700313	Motor 5.5 kW Three Phase IE3 (Hydrostar 700)	1 & 2	£1,222.85
631782	Motor Slinger 52 X 16 X 2	2	£4.46
6340682	Hydrostar Bracket	3	£101.89
6340700	Bracket O Ring	4	£15.50
6340162	Mechanical Seal (316 S/S)	5	£46.03
63401625	Mechanical Seal (Silicon Carbide S/S Viton)	5	£116.99
6340550	Impeller (Hydrostar 400 Mk2) To Suit Keyshaft	6	£61.39
6340560	Impeller (Hydrostar 500 Mk2) To Suit Keyshaft	6	£61.39
6340570	Impeller (Hydrostar 600 Mk2) To Suit Keyshaft	6	£61.39
6340580	Impeller (Hydrostar 700 Mk2) To Suit Keyshaft	6	£61.39
6340543	Hydrostar Volute Nozzle	7	£6.95
634080BLK	3" Half Union C/W O Ring	8	£31.40
634080EBLK	90Mm European Metric Half Union C/W O-Ring	8	£23.97
W02249	3" Half Union O-Ring	8	£7.42
6340630	Basket Pump Hydrostar Commercial	9	£33.68
634075	H/L Pot Lid O-Ring	10	£13.32
6340651	H/L Pot Quarter Turn Lid And Lock Ring	11	£158.04
63402301	Drain Plug 1/4" Npt (2 Required)	12	£2.10
620193	O-Ring BS112	13	£2.68
634004211	M6 Multi Pack S/S 316 (Pack Of 2)	14	£14.40
	2 X 6340040 (Screw M6 X 20 Hex Set SS316)		
	2 X 6340030 (Washer Ss316 1/4" X 9/16" X 18G)		
	2 X 6340060 (Nut M6 Hex Ss316)		
634018371	M8 Multi Pack S/S 316 (Pack Of 6)	15	£13.31
	14 X 63401830 (Screw Hex Set M8 X 20 S/S316)		
	14 X 6302180 (Washer S/S 316 5/16" X 5/8" X 18G)		
634073	Pump Foot Insert (Hydrostar 400 - 600)	16/18	£7.92
6340741	Pump Foot Insert (Hydrostar 700)	16/18	£7.92
634072	Pump Foot (All Models)	17	£44.46
6340514	Hydrostar Body 3" Port Mk2	19	£287.61
6340411	Nut M10 Overmoulded (For Mk2 Motors)	20	£11.06
6340412	O-Ring (BS113)	20	£0.27
663393	O-Ring (BS152)	21	£4.07
6340540	Volute Front	22	£54.21
6340541	Volute Rear	23	£48.18
6340542	Volute Insert (400, 500)	24	£8.37
6340825	Screw M4 X 40Mm P/Head SS304 (4 Required)	25	£1.09
6340828	Screw 8G X 5/8" Countersunk SS304 (5 Required)	26	£1.09
W12276	1/2" X4g SS316 Screw	27	£0.29
6340115	O-Ring (Bs145)	28	£3.85
6340826	Nut M4 Nyloc Hex SS304 (4 Required)	29	£1.09
6340827	Screw 8G X 13Mm Countersunk Ss304 (3 Required)	30	£1.09
636059	Motor Rotation Indicator	n/s	£80.69



Hydrostar Plus

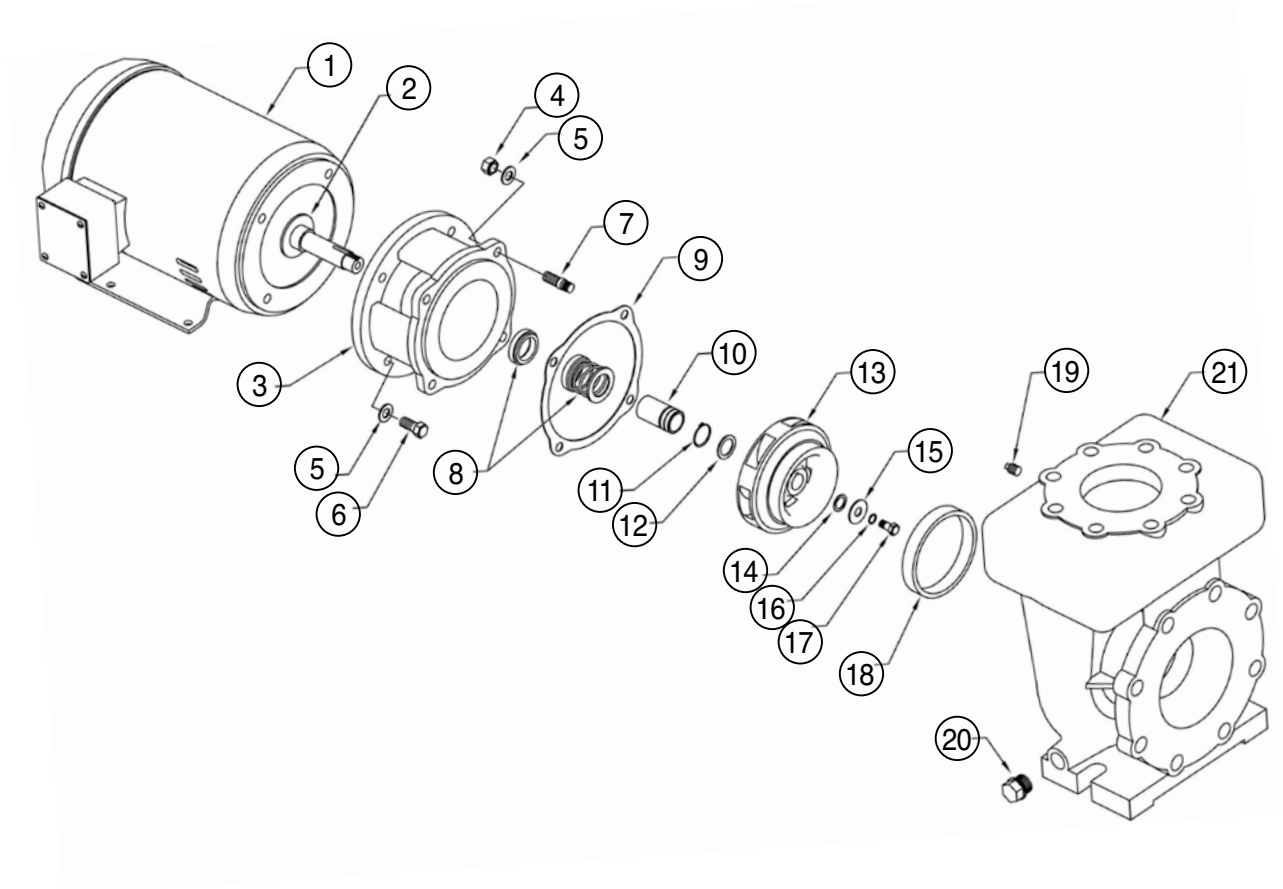
Part Number	Product Description	Diagram No.	LIST PRICE
6340402203	Motor 7.5KW 3PH Baker Hydro EUR1 IE3	1	£1,497.92
6340402102	Motor 5.5KW 3PH Baker Hydro EUR1 IE2	1	£1,277.40
63450660	Shaft Key 3/16"X 3/16" SS	2	£20.94
6340742	Motor Support Spacer	3	£42.83
6340920	Bolt M12X25 Hex HD SS304	4	£1.05
6345035	Spring Washer 3/8" S/Steel	5	£0.06
6302181	M10 Washer SS	6	£0.06
634600	Motor Adaptor Plate	7	£7.86
6340650	Dowel Pin 5/16"X54mm SS316	8	£2.80
W12769	Spring Washer 1/2" S/Steel	9	£7.92
6340936	Plain Washer	10	£2.04
W12768	Bolt 3/8" UNC x 1 S/Steel	11	£2.85
634601	Pump Seal Plate w/Inserts	12	£50.26
63401629	Mech Seal Type 2100 1" DIA	13	£53.01
634610	Impeller 10HP w/Insert	14	£72.14
634611	Impeller 7.5 HP w/Insert	14	£72.14
634651	Screw S/Head 3/8"-UNCX1"SS304	15	£1.40
634605	O'Ring 286 ID X 9.5MM	16	£12.11
634602	Diffuser w/Brass Ring	17	£56.29
634652	Bolt Hex HD 1/4"-UNC X 1 3/4"SS304	18	£1.29
645461	Salty/SS 1/4" Spring Washer	19	£0.65
6340030	Washer	20	£0.65
634606	O'Ring BS354	21	£2.10
634604	Pump Housing H/Star + 10HP 4"JIS Flange	22	£74.15
63409380	Bolt Hex 5/8"-UNC X 8" SS304	23	£4.09
63409370	Washer 5/8"X 1 1/4"X 14G SS304	24	£0.91
63409390	Nut Hex STD 5/8"-UNC Brass	25	£3.44
63402302	Drain Plug 1/4" BSP	26	£2.10
620193	O'Ring BS112 Air R Vlv/Drain	27	£2.68
63453064	Flange Gasket 6" Bore	28	£12.38
63450580	PP Strainer Housing 6"FL Port B/Hydro	29	£193.73
63450520	Strainer Basket Polypropylene Mk2	30	£110.23
62027	O'Ring Opal Lid	31	£23.82
63450500	Strainer Lid PC Clear	32	£128.93
620232	Filter Lock Ring 12"	33	£154.35
AXF1168	Opal Cartridge Handle (AXF1168)	34	£7.00
6202321	Handle 12" & 16" Lockring	35	£36.97
63409370	Washer 5/8"X 1 1/4"X 14G SS304	36	£0.91



Cast Iron Pump

Part Number	Product Description	Diagram No.	LIST PRICE
6340402003	Motor 4.0kW MEPS2 IE3	1	£2,381.92
6340402103	Motor 5.5kW MEPS2 IE3	1	£3,139.58
6340402203	Motor 7.5kW MEPS2 IE3	1	£6.54
6340402303	Motor 11.0kW MEPS2 IE3	1	£4.65
631786	Motor Slinger (4.0, 5.5, 7.5)	2	£231.60
631787	Motor Slinger (11kW)	2	£15.23
6345039	Pump Bracket 4.0kW	3	£426.03
6345040	Pump Bracket 5.5-7.5kW	3	£4.65
6345041	Pump Bracket 11.0kW	3	£426.44
6345036	Nut 1/2"UNC Hex SS	4	£1.96
6345038	Spring Washer 1/2" SS	5	£1.23
6345037	Bolt 1/2"UNCx1.25" SS	6	£4.90
6345034	Stud 1/2"UNCx1.5"	7	£8.46
6345032	Seal Assembly 1.250" (4.0, 5.5, 7.5kW)	8	£140.11
6345033	Seal Assembly 1.750" (11.0kW)	8	£238.19
6345025	Pump Body Gasket	9	£12.14
6345028	Shaft Sleeve 1.25" OD (4.0, 5.5, 7.5kW)	10	£116.49
6345029	Shaft Sleeve 1.75" OD (11.0kW)	10	£123.77
6345030	External Circlip 1.187" SS (4.0, 5.5, 7.5kW)	11	£28.20
6345031	External Circlip 1.75" SS (11.0kW)	11	£44.13
6345026	Sleeve Gasket 1.25" (4.0, 5.5, 7.5kW)	12	£6.01
6345027	Sleeve Gasket 1.75" (11.0kW)	12	£6.01
63450210	Impeller 154.7mm - 4.0kW MEPS 2	13	£492.73
63450220	Impeller 154.7mm - 5.5kW MEPS 2	13	£492.73
63450230	Impeller 147mm - 7.5kW MEPS 2	13	£492.73
63450241	Impeller 154.7mm - 11.0kW MEPS 2	13	£492.73
6345017	Washer Gasket 1.19" (4.0, 5.5, 7.5kW)	14	£6.01
6345018	Washer Gasket 1.625" (11.0kW)	14	£5.83
6345019	Impeller Washer 1.1875" SS (4.0, 5.5, 7.5kW)	15	£29.06
6345020	Impeller Washer 1.625" SS (11.0kW)	15	£34.94
6345015	Washer - Stat-O-Seal SS 3/8" (4.0, 5.5, 7.5kW)	16	£12.26
6345016	Washer - Stat-O-Seal SS 1/2" (11.0kW)	16	£17.16
6345062	Bolt 3/8"UNCx1" SS (4.0, 5.5, 7.5kW)	17	£3.31
6345063	Bolt 1/2"UNCx1" SS (11.0kW)	17	£5.88
6345013	Bronze Wear Ring	18	£147.12
6345011	Plug 1/4"	19	£11.65
6345012	Plug 1/2"	20	£19.62
63450100	Pump Housing Assembly	21	£1,838.98
6345010	Pump Housing - Cast Iron	21	£1,673.47

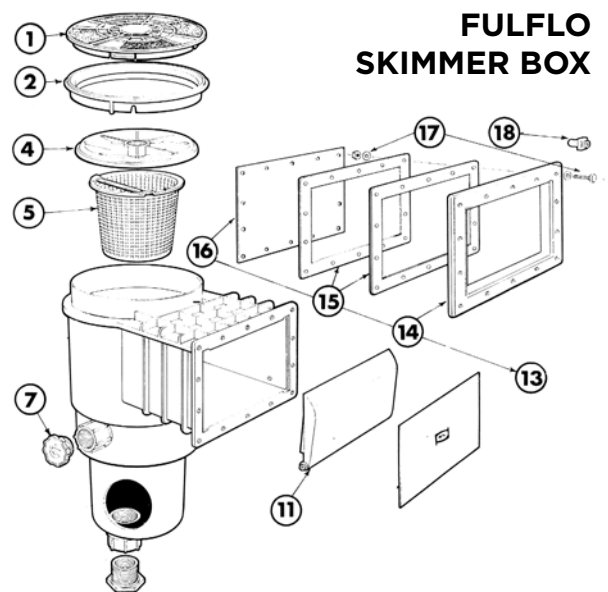
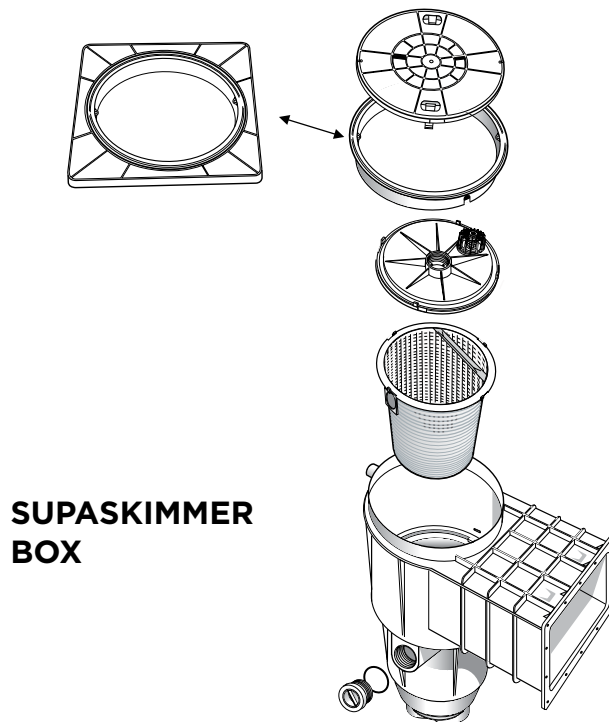
Cast Iron Pump



Waterco Supaskimmer / Fulflo

Part	Product Description	Diagram No.	LIST
62411S	Deck lid Sandstone colour	1	£43.15
624171S	Deck lid MK2 (Suit T/lock type) Sandstone	1	£52.75
6241119S	Commercial deck lid assembly T/lock Sandstone GFABS	1+2	£6.54
6241019S	Commercial dress ring T/lock Sandstone GFABS	1+2	£4.65
62410S	Dress ring Sandstone colour	2	£231.60
624181S	Square dress ring T/lock Sandstone	2	£46.03
624191S	Round dress ring T/lock Sandstone	2	£49.26
624105	Dress Ring Extension - 60mm		£9.23
624024	Supa skimmer leaf basket	5	£28.29
62408	Supa skimmer vacuum plate / Skimtrol Assy	4	£37.58
62469	Vacuum plate o ring BS 272		£8.91
62407	Weir door assembly	11	£28.29
62412	Weir door clip		£3.01
62404	Plug 1/2"	7	£15.86
29260	Escutcheon Assembly Kit	13	£31.58
292631	Face plate standard	14	£22.15
829111	Gasket set (2)	15	£11.84
62444	Stainless steel screw each	17	£0.83
29264	Template	16	£0.86
62439	Escutcheon Clip	18	£4.21
62426	Widemouth Escutcheon Kit		£51.95
62438	Nutserts (Each)		£1.27
W22579	Skimmer deck lid latch s/stone post Oct 2012		£0.85
W22580	Skimmer deck lid slider s/stone post Oct 2012		£0.26
SKIMTROL - CONTROL VACUUM PLATE			
W02266	Valve Spring		£9.38
32731	Valve Stem		£11.94
32732	Valve Strainer		£6.03

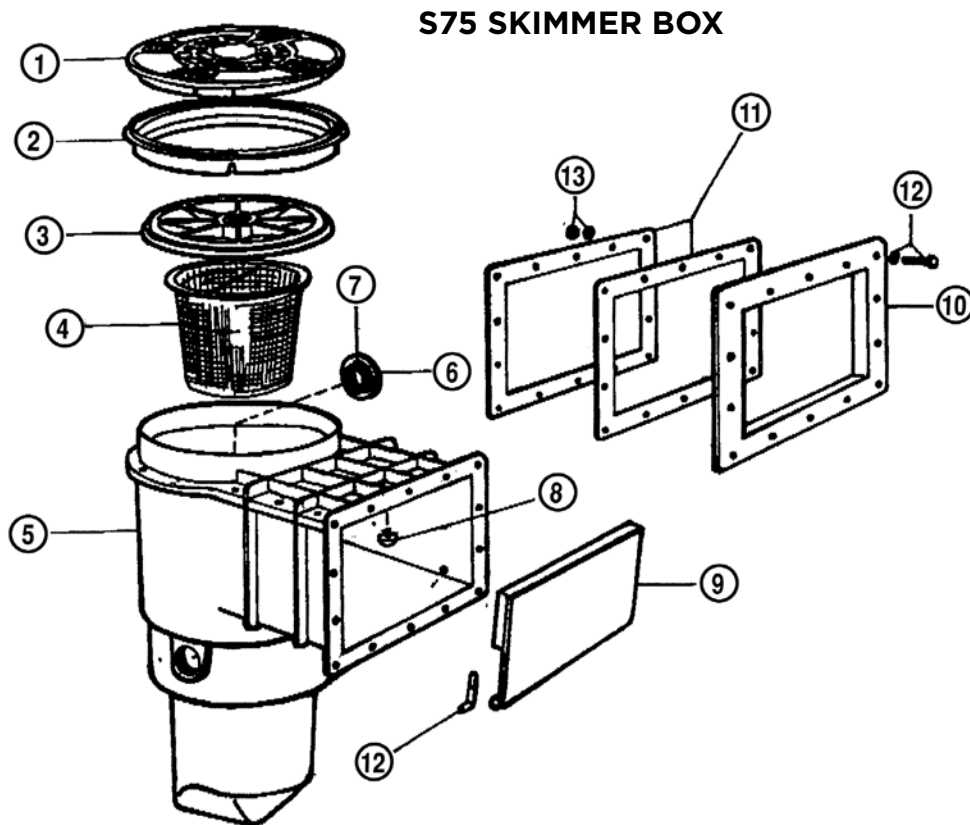
Post Oct 2012 additional interlocking mechanism is added



Waterco S75

Part Number	Product Description	Diagram No.	LIST PRICE
62411S	Deck lid Sandstone colour	1	£43.15
624119S	Commercial deck lid assembly T/lock Sandstone GFABS	1	£59.91
624171S	Deck Lid MK2 (Suit Twist Lock Type) Sandstone	1	£6.54
624181S	Supaskimmer, S75 T/lock Square ring - Sandstone colour	2	£4.65
6241019S	Commercial dress ring T/lock Sandstone GFABS	2	£231.60
62410S	Dress ring Sandstone colour	2	£38.37
624191S	Round Dress Ring Twist Lock - Sandstone	2	£49.27
624105	Dress Ring Extension - 60mm	n/s	£4.65
32717	Vacuum plate / Skimtrol Assy	3	TBC
62403	Leaf basket	4	£18.71
624032	Leaf basket lock down type	4	£18.71
62404	1 1/2" Plug	6	£15.86
29260	Escutcheon Assembly Kit	n/s	£31.59
292631	Skimmer face plate	10	£13.51
829111	Gasket set (2)	11	£11.84
62444	Stainless steel screws (14) Each	12	£0.83
29264	Template	13	£0.86
62439	Escutcheon CL11	n/s	£4.21
62416	Weir door stop	8	£1.42
62407	Weir door assembly	9	£28.29
62412	Weir door clip	12	£3.01
624005	Skimmer S75 Body	5	TBA
62469	Vacuum plate o ring BS 272	n/s	£8.90
62421	Skimmer lintel	n/s	£20.33
W22579	Skimmer deck lid latch s/stone post Oct 2012	n/s	£0.85
W22580	Skimmer deck lid slider s/stone post Oct 2012	n/s	£0.26

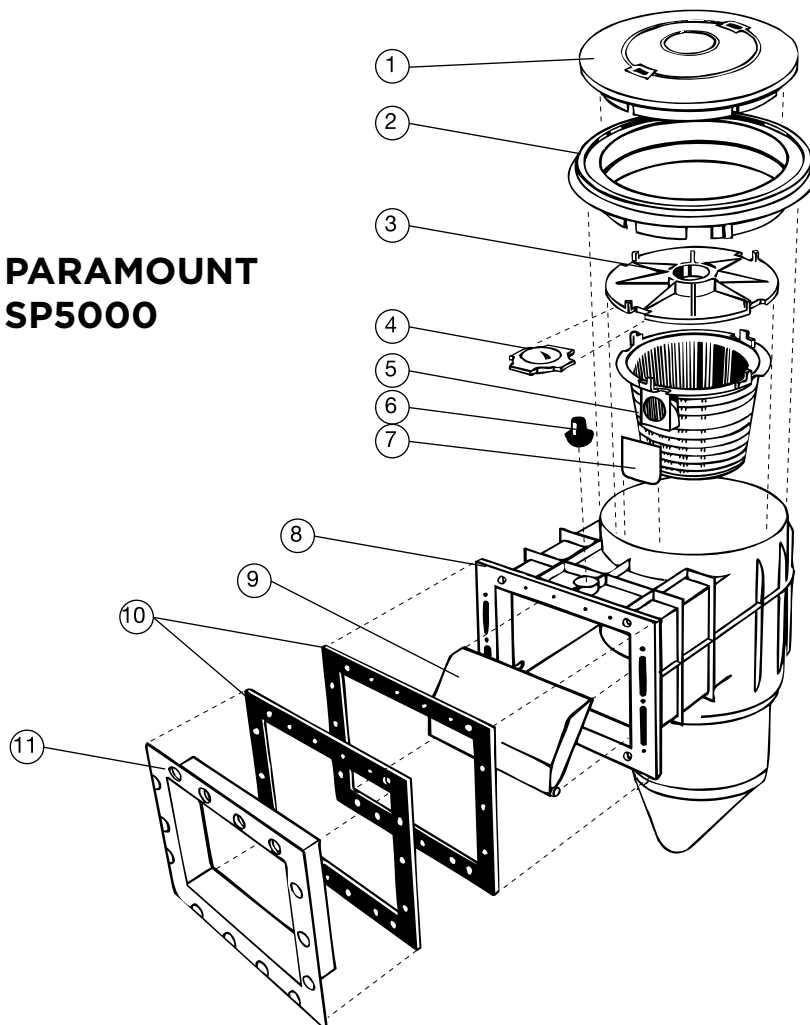
** 29263 & 29267 replaced by 292631 & 62439



Waterco SP5000

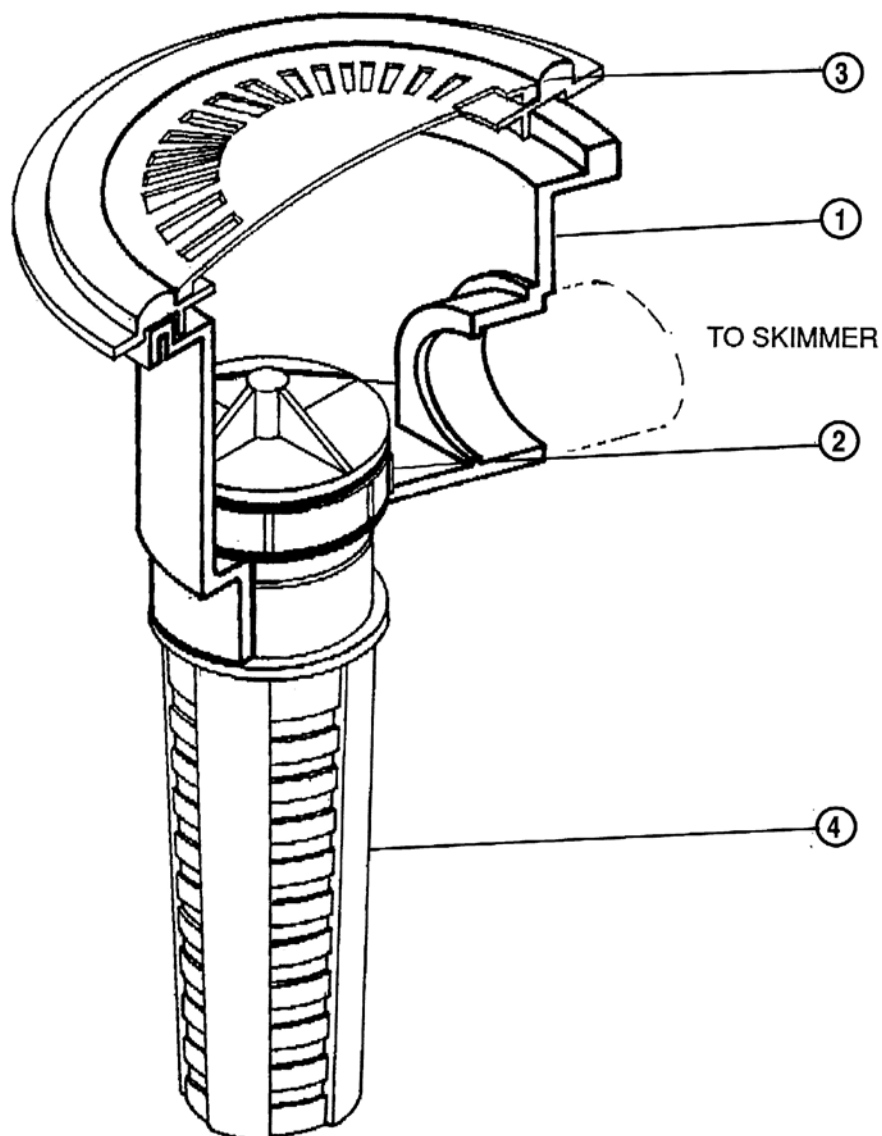
Part Number	Product Description	Diagram No.	LIST PRICE
AXSM009	Deck lid - Beige	1	£30.50
AXSM009S	Deck lid - Sandstone	1	£23.63
AXSM075	Deck lid - Sandstone T/Lock (suit lock down type)	n/s	£6.54
AXSM012	Dress ring - Beige	2	£4.65
AXSM012S	Dress ring - Sandstone	2	£231.60
AXSM073	Round dress ring - Sandstone T/lock (suit lock down type)	n/s	£19.61
AXSM074	Square dress ring - Sandstone T/lock (suit lock down type)	n/s	£35.61
AXSM025	Vacuum plate (pre July 2011)	3	£4.65
32715	Vac Plate W Skimtrol (post July 2011)	n/s	TBA
AXSM004	Skimmer body flow adjuster	4	£1.62
AXSM014	Skimmer basket	5	£14.24
AXSM006	Rubber buffer (pre Oct 2011)	6	£2.40
AXSM0061	Rubber buffer MK2 (post Oct 2011)	n/s	TBA
AXSM003	Adjustment slide skimmer body	7	£2.54
AXSM002	Skimmer body	8	£69.39
AXSM020	Skimmer weir door (pre Oct 2011)	9	£23.44
624077	Weir Door Assy MK2	n/s	£28.29
AXSM038	Escutcheon gasket	10	£9.42
AXSM033	Escutcheon plate	11	£10.72
AXSM028	Escutcheon kit assembly	n/s	£40.99
AXSM036	Escutcheon stainless steel screws	n/s	£0.33
AXSM042	Rubber plug for main drain & vac plate	n/s	£5.64
AXSM040	Extension throat body	n/s	£35.36
AC703	Cap for port	n/s	£0.66
AXSM0390	Escutcheon Clip		£5.61

PARAMOUNT SP5000



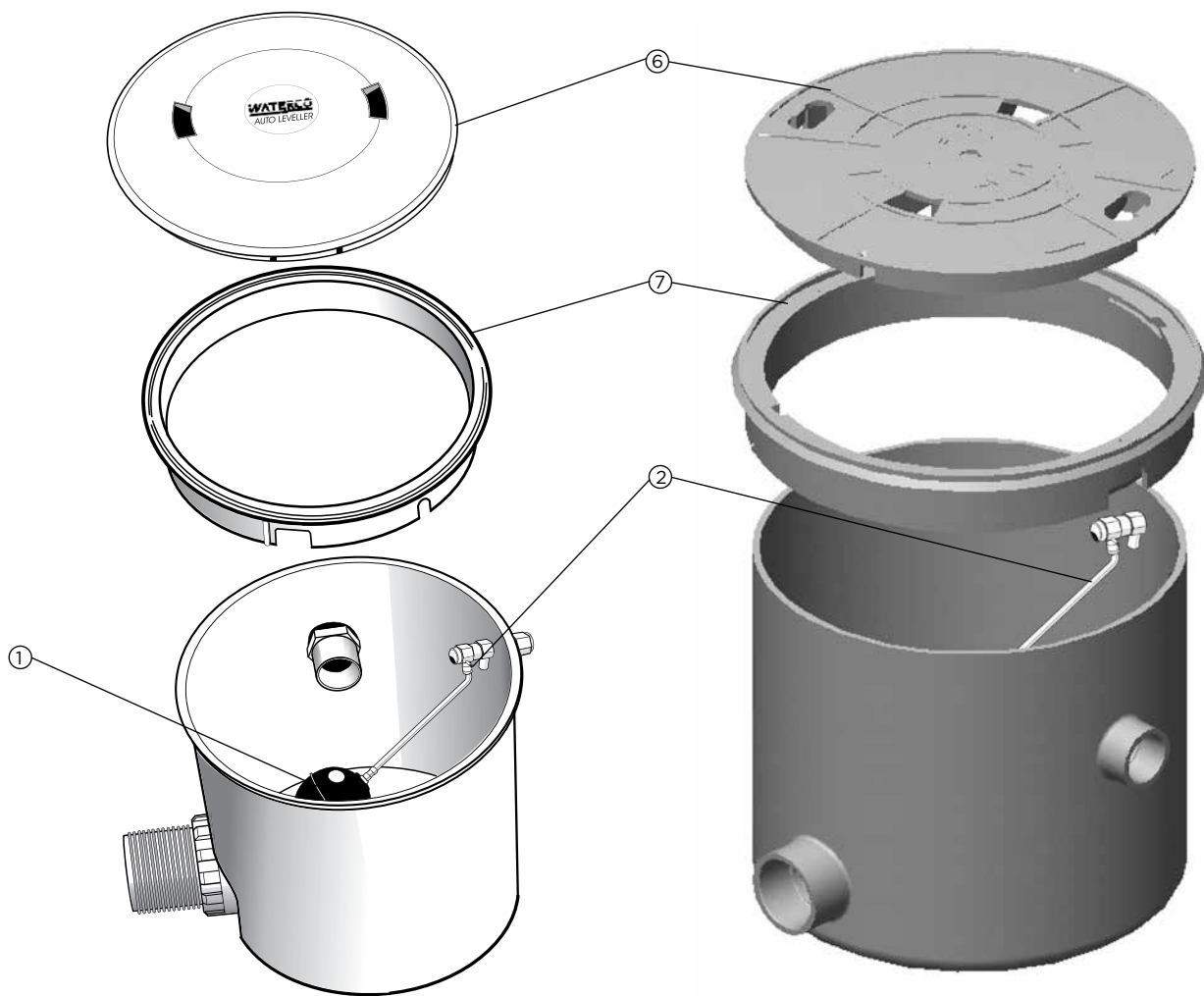
Waterco Main Drain

Part Number	Product Description	Diagram No.	LIST PRICE
29301	Main drain body	1	£20.22
29302	Hydrostatic valve	2	£12.08
29303	Cover & dress ring (white)	3	£231.60
29307	Cover & dress ring (beige)	3	£17.26
29304	Main drain stem	4	£9.99
29306	Screw & plug set (white)	n/s	£4.65
29305	Screw & plug set (beige)	n/s	£1.92



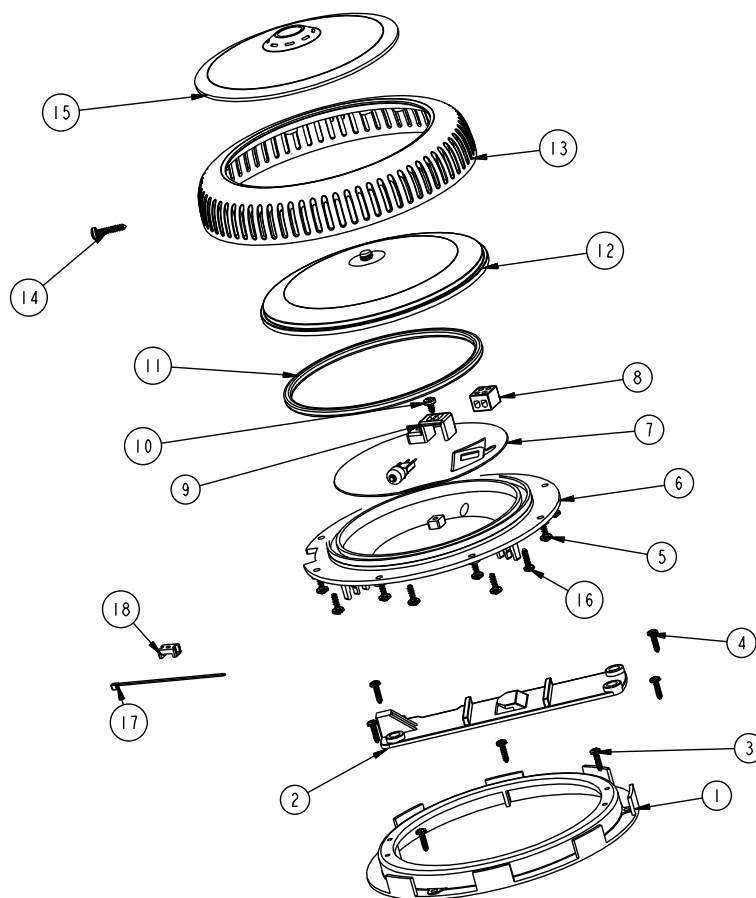
Auto Poolwater Leveller

Part Number	Product Description	Diagram No.	LIST PRICE
62270	Plastic float	1	£11.55
62271	3/8" float valve brass	2	£70.80
62272	3/8" x 1/2" brass bush	n/s	£15.50
62273	1/2" kinco nut	n/s	£4.85
62274	1/2" olive plastic	n/s	£1.23
AXSM009	Lid - Beige (Suit MK1 Leveller)	6	£29.05
AXSM009S	Lid - Sandstone (Suit MK1 Leveller)	6	£29.05
624171S	Deck Lid MK2 (Suit T/Lock Type) Sandstone	6	£52.75
AXSM012	Dress ring (Suit MK1 Leveller)	7	£22.87
AXSM012S	Dress ring - Sandstone (suit MK1 Leveller)	7	£16.84
624191S	Round Dress Ring T/Lock - Sandstone	7	£49.26



Litestream Underwater Pool Light

Part Number	Product Description	Diagram No.	LIST PRICE
65001	Light wall ring	1	£10.93
65002	Light bracket	2	£10.49
65012	Screw 8G x 13mm (each - 3 required)	3	£0.78
65012	Screw 8G x 13mm (each - 4 required)	4	£0.78
65012	Screw 8G x 13mm (each - 1 required)	5	£0.78
65004	Reflector Plate	7	£10.81
65006	Ceramic Terminal Block	8	£11.96
65007	Connector Block	9	£2.92
65013	S/S screw (connector block) 10g x 3/8 inch (each)	10	£0.97
65008	Light gasket	11	£16.03
65009	Lens - clear diffuser c/w rubber plug	12	£32.83
650102	Rim Pool Light MK3	13	£19.36
65014	Light S/S screw outer rim 10G x 5/8	14	£0.97
26603	Lens cover - blue	15	£11.61
26605	Lens cover - red	15	£11.61
26606	Lens cover - green	15	£11.61
650120	Screw 8G x 13mm (8 required)	16	£1.09
64603	Cable Tie	17	£0.25
646032	Cable Tie Clamp	18	£1.09
650051	Light globe 12V 100W	n/s	£20.11
650105	Adaptor Pool lights	n/s	£8.63
263080	UWL Replacement Kit - consists of:	2, 4-14, 16-18	£205.03
	13030 - Hose Clamp 6 - 12mm (2 required)	n/s	£7.54
	SB113402 - Tube PVC 8mm	n/s	£3.18
	861812 - Sleeve - 20mm long (2 required)	n/s	£0.25
65016	U/W light w/o lead and globe		£154.26
26500	Transformer 22volt	n/s	£231.56
26505	Transformer 12volt	n/s	£231.56
26503	Transformer 12volt plug in	n/s	£231.56
26601	Vinyl/fiberglass conversion kit	n/s	£23.94

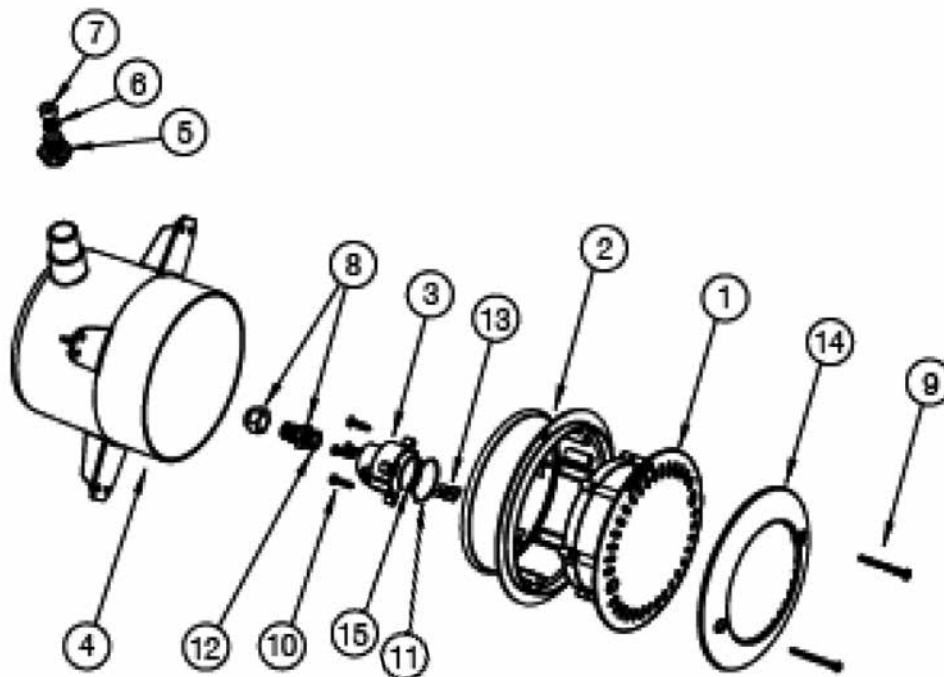


Britestream LED Light

Part Number	Product Description	Diagram No.	LIST PRICE
650032	L/S Back Plate White (MK2 Model)		£9.78
65001	Litestream Wall Ring (MK2 / MK3 / MK4 / MK5 Model)		£10.93
65002	Litestream Light Bracket (MK2 / MK3 / MK4 / MK5 Model)		£6.54
650096	Lens Dress Ring 11mm (MK2 Model)		£4.65
65012	S/S Screw 8g X 5/8 (MK2 / MK3 / MK4 / MK5 Model)		£12.89
650091	Rear lens cover (MK2 Model)		£4.65

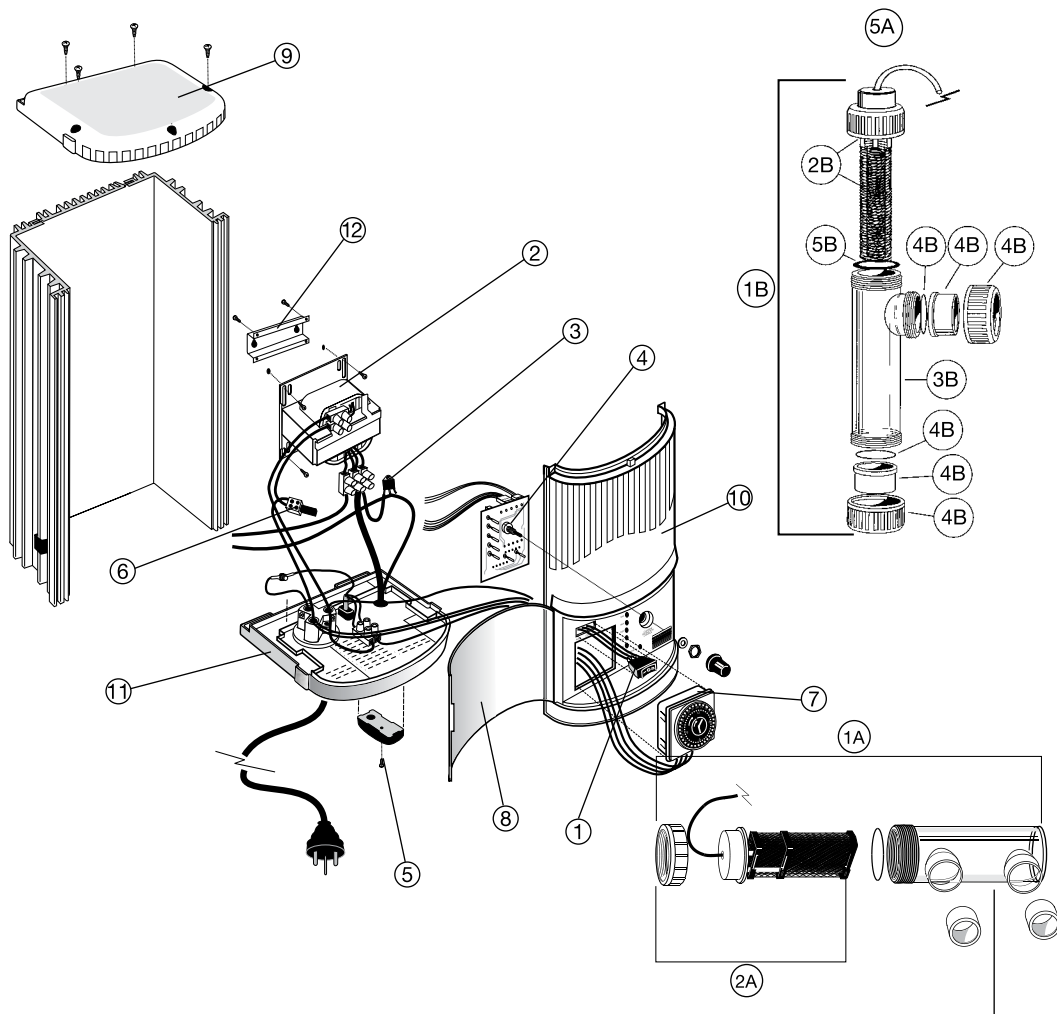
Britestream LED Niche Light

Part Number	Product Description	Diagram No.	LIST PRICE
6501107	Gland Mount	3	£4.02
6501108	Gland Mount (for 12mm cable)	3	£4.02
264421	Niche assembly	4	£84.35
650152	Cable Gland	8	£3.73
6501124	Cable Gland (for 12mm cable)	8	£5.98
6501122	Screw x 2	9	£1.61
6501121	Screw x 4 (Model produced before 31-3-2015)	10	£0.92
W22957	Screw Thru Head x 4 (Model produced before 31-3-2015)	10	£0.91
6501117	O ring BS 025	11	£1.84
650153	O ring Metric 15 x 1.5	12	£0.29
6501125	O ring BS 019	12	£0.52
W22953	O ring BS 123	12	£0.53
S13879	Terminal Female x 2	13	£0.75
6501130	Dress Ring	14	£32.29



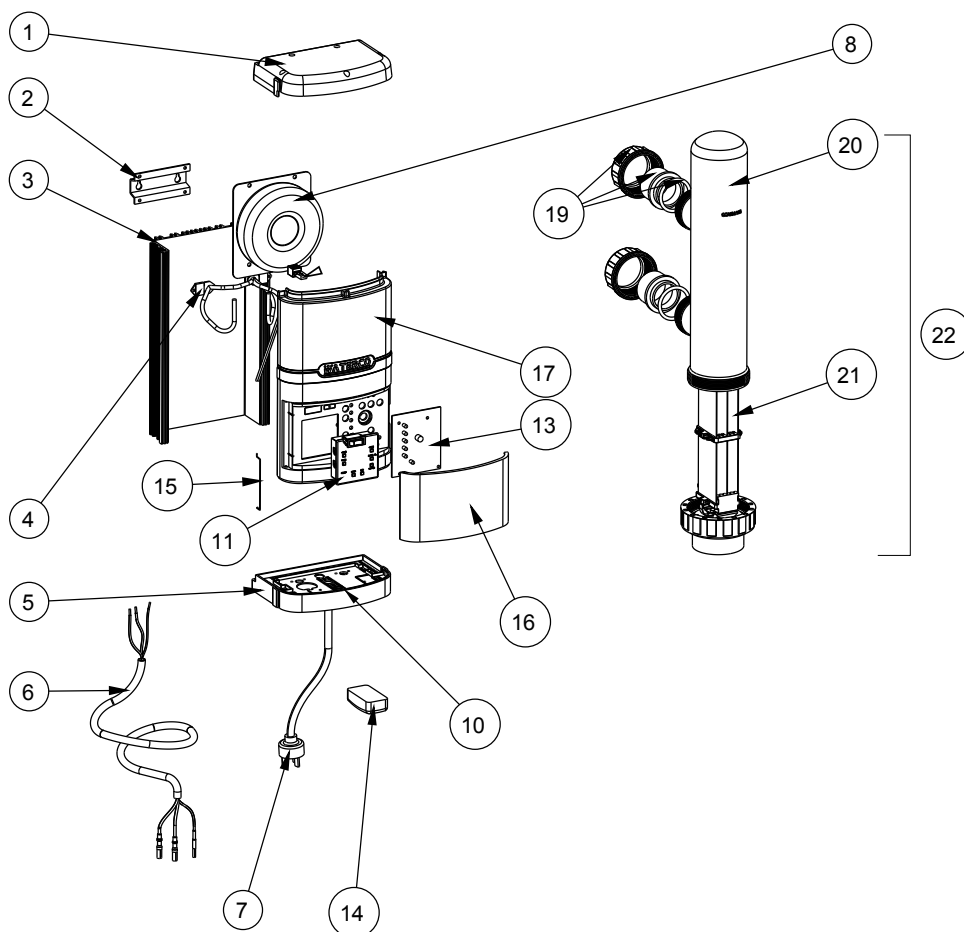
Electrochlor 20A, 30A, 20 ASC, 30A SC

Part Number	Product Description	Diagram No.	LIST PRICE
644084	Manual/OFF/Auto switch	1	£9.14
641162	Transformer 20A	2	£193.49
641160	Transformer 30A	2	£254.26
W24570	SCR assembly 20A SC & 30A SC	3	£154.03
W32569	SCR assembly 20A & 30A	3	£124.38
645083	PC board 20A & 30A	4	£176.44
645075	PC board 20A SC & 30A SC	4	£217.17
64128	Junction Box (suits all)	5	£16.55
641326	Fuse - slow blow 4A 5 x 20mm	6	£27.41
644072	Timer only Electrochlor	7	£99.64
644025	Electrochlor Clear Perspex Front Cover	8	£6.08
644023	Top	9	£25.49
644022	Front	10	£54.15
644024	Base	11	£29.00
6440713	Mounting Bracket	12	£15.38
645003	Electrochlor Power Pack (20A)		£1,347.33
645002	Electrochlor Power Pack (30A)		£1,347.33
645004	Electrochlor Power Pack (20A SC)		£1,347.33
645001	Electrochlor Power Pack (30A SC)		£1,347.33
644958	Electrochlor cell assembly complete with housing (20A SC)	1A	£797.38
644959	Electrochlor cell assembly complete with housing (30A SC)	1A	£797.38
64428612	Electrochlor Electrode & Head Assembly (20A SC)	2A	£761.99
64428512	Electrochlor Electrode & Head Assembly (30A SC)	2A	£807.24
644954	Electrochlor Cell Assembly Complete with Housing (20A)	1B	£572.27
644953	Electrochlor Cell Assembly Complete with Housing (30A)	1B	£632.60
64428511	Cell electrode assembly 30A	2B	£559.24
64428611	Cell electrode assembly 20A	2B	£508.09
644331	Cell body (suits 20A & 30A) Electrochlor	3B	£50.00



Hydrochlor

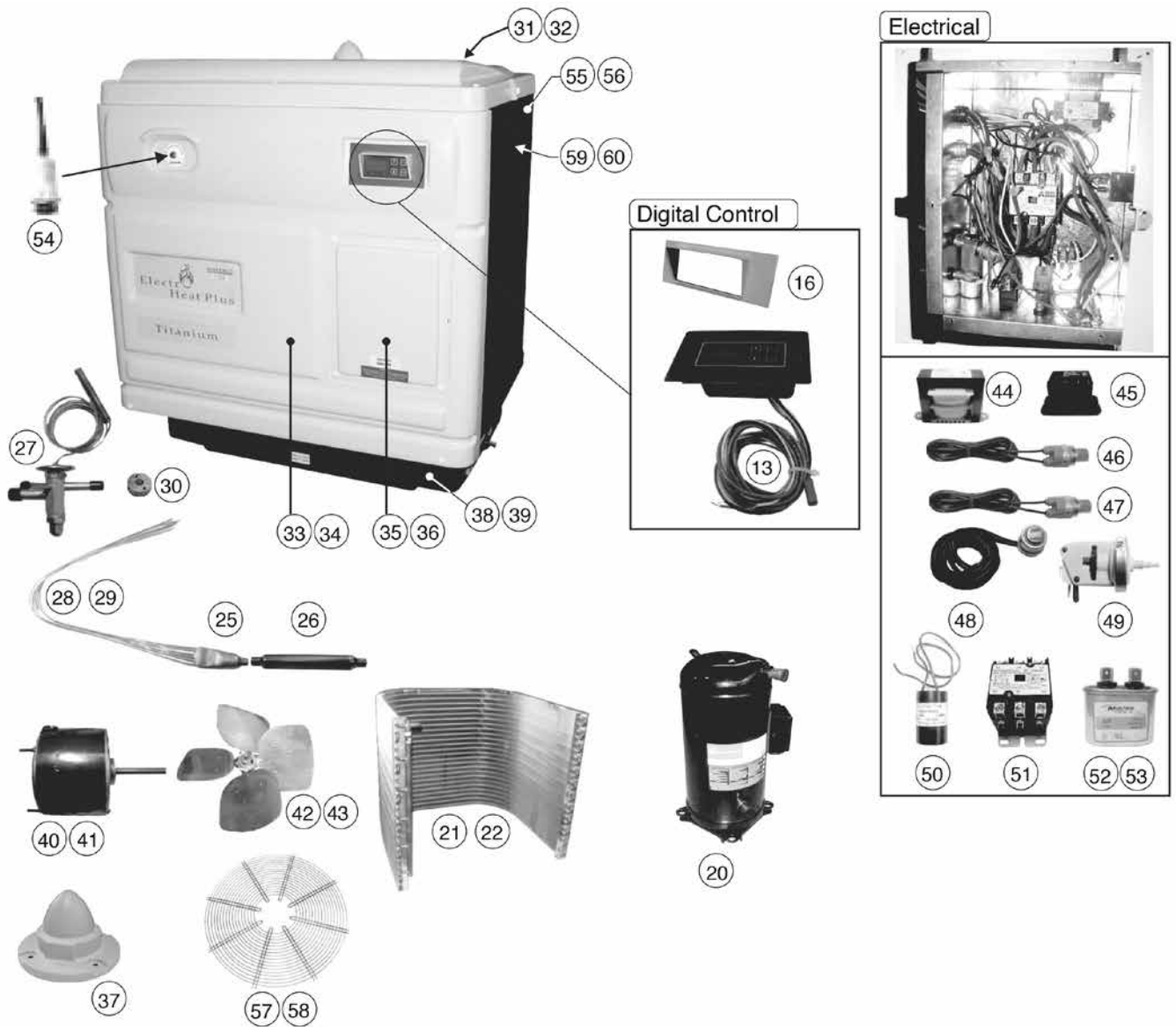
Part Number	Product Description	Diagram No.	LIST PRICE
6440232	Hydrochlor P/PAK Top	1	£31.92
6440713	Mounting Bracket	2	£6.54
6440710	Heatsink Power Pack	3	£4.65
W24570	SCR Assembly 20A SC - 30A SC	4	£231.60
644024	Chlorinator P/P Bottom Housing	5	£38.09
64134	Mains Lead 10A 240V	7	£14.55
644915	Cell Lead Assembly	6	£4.65
641162	Toroidal Transformer 250VA 240V/8.5V	8	£210.78
641160	Toroidal Transformer 400VA 240V/8V	8	£260.54
641326	Fuse Slow Blow 4A 5 x 20mm	10	£2.07
6440813	24 Hour Timer Hydrochlor	11	£150.90
6450756	PC Board SC Hydrochlor	13	£287.24
64128	Junction Box (suits all)	14	£20.54
6440250	Spring Housing Window Top	15	£0.92
6440251	Spring Housing Window Bottom	15	£0.92
644025	Chlorinator P/P Housing Window	16	£5.25
6440222	Hydrochlor P/Pk Front	17	£67.71
634024BLK	Half Union Black 50mm c/w O'Ring	19	£7.99
644509	Cell Housing 20A, 25A & 30A	20	£59.10
64428614	Cell Plates Ass'y Hydrochlor 20A SC (nut not included)	21	£376.39
64428615	Cell Plates Ass'y Hydrochlor 25A SC (nut not included)	21	£484.58
64428616	Cell Plates Ass'y Hydrochlor 30A SC (nut not included)	21	£597.55
6449620	Cell & Housing Ass'y Hydrochlor 20A SC	22	£407.45
6449625	Cell & Housing Ass'y Hydrochlor 25A SC	22	£523.63
6449630	Cell & Housing Ass'y Hydrochlor 30A SC	22	£623.26
6450020	Hydrochlor 20A SC Power Pack	23	£955.39
6450026	Hydrochlor 25A SC Power Pack	23	£963.48
6450030	Hydrochlor 30A SC Power Pack	23	£963.48
6450821	Current Sensing Harness		£32.29
641360	Fuse Holder 20x5mm		£20.17



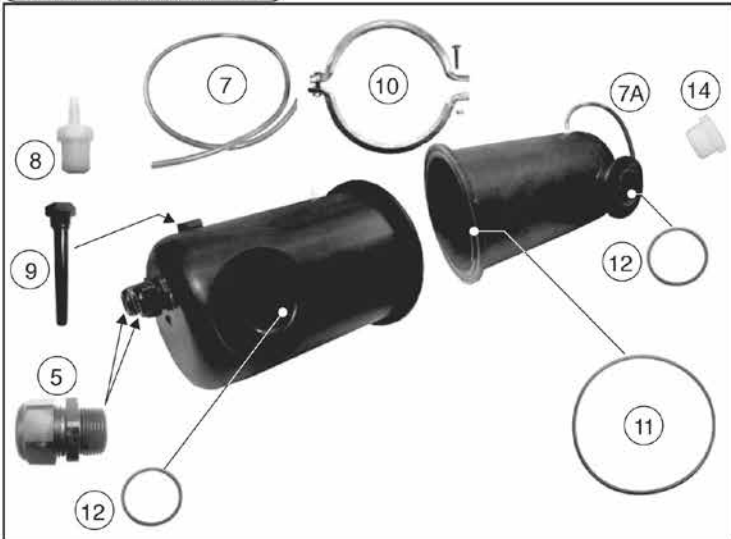
Electroheat Plus MKI Models 85,105,125 150 Single and Three Phase

Part Number	Product Description	Diagram No.	LIST PRICE
20-1300	Liquid Tight Connector 3/4" - 2 required	5	£15.56
20-1306	Nipple 1/8" Barb - 3 required	8	£1.37
20-1319	Thermostat Well 67.5 mm	9	£17.54
20-1320	Thermostat Well O Ring		£0.95
80-1504	Canister O'Ring 7 1/4"	11	£9.38
80-1410	Canister Clamp	10	£35.66
20-1303	Clear Plastic Hose 1/8"ID x 1/4"OD (Pressure Switch) - 41" length	7	£2.21
20-1312	Plastic Cap 3/4" NPT - 2 required	14	TBA
05-1505	Digital Control Assembly	13	£224.02
10-1008SA	Compressor 1 phase (85 model)	20	£1,291.50
10-1012	Compressor Plus 105	20	£1,262.63
10-1038	Compressor 3 phase (105 model)	20	£3,048.48
10-1014SA	Compressor 3 phase (125 & 150 models)	20	£1,623.34
10-1223	Heat Exchanger 24" Assembly complete Titanium (85)	A/B	£688.80
05-1350	Heat Exchanger 28" Assembly complete Titanium (105, 125 & 150)	A/B	TBA
10-1302	Refrigerant Distributor 3/8" - 6 tubes	25	TBA
10-1345	Filter/Dryer	26	£46.83
10-1365	Expansion Valve (150 model)	27	£205.08
05-1317	Capillary - 132" (85 model)	28	TBA
05-1319	Capillary - 240" (105 model)	28	TBA
05-1320	Capillary - 180" (125 model)	29	TBA
10-1355	Orifice G6 (150 model)	30	TBA
20-1500	Fan Motor Protective Cone	37	TBA
30-1006	Fan Motor 1/6 hp 900/1075 rpm (85)	40	£233.01
30-1004	Fan Motor 1/4 hp 900 rmp (105, 125 & 150)	41	£327.78
30-1106	Fan Blade Plastic 20" (85 model) (30-1106P)	42	£69.31
30-1107	Fan Blade 22" (105, 125, and 150 models)	43	£71.31
40-0001	Transformer 240/24-12V	44	£44.68
40-0002	24V Fan Relay	45	£17.59
40-1002	High Pressure Switch 250-425PSI	46	£40.90
40-1003	Low Pressure Switch 25-50PSI	47	£40.90
40-1005	Defrost Control	48	£17.55
40-1006	Water Pressure Switch	49	£37.02
80-1512	Retaining Ring Pressure Switch	N/S	£1.44
40-1016	24V Time Delay - 3min	50	£86.64
50-1009	Contactoer 40A/24V 3 Poles	51	£132.96
50-1103	Fan Run Capacitor (85 model)	52	£14.12
50-1205	Green Light - 250V - 28" wires	54	£15.78
60-1103	Fan Grill (85 model)	57	£67.10
60-1104	Fan Grill (105, 125, and 150 models)	58	£76.30

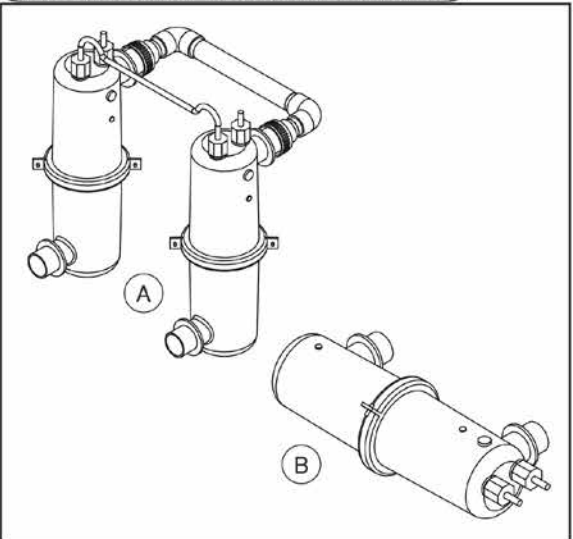
Electroheat Plus MKI Models 85,105,125 150 Single and Three Phase



Heat Exchanger Parts



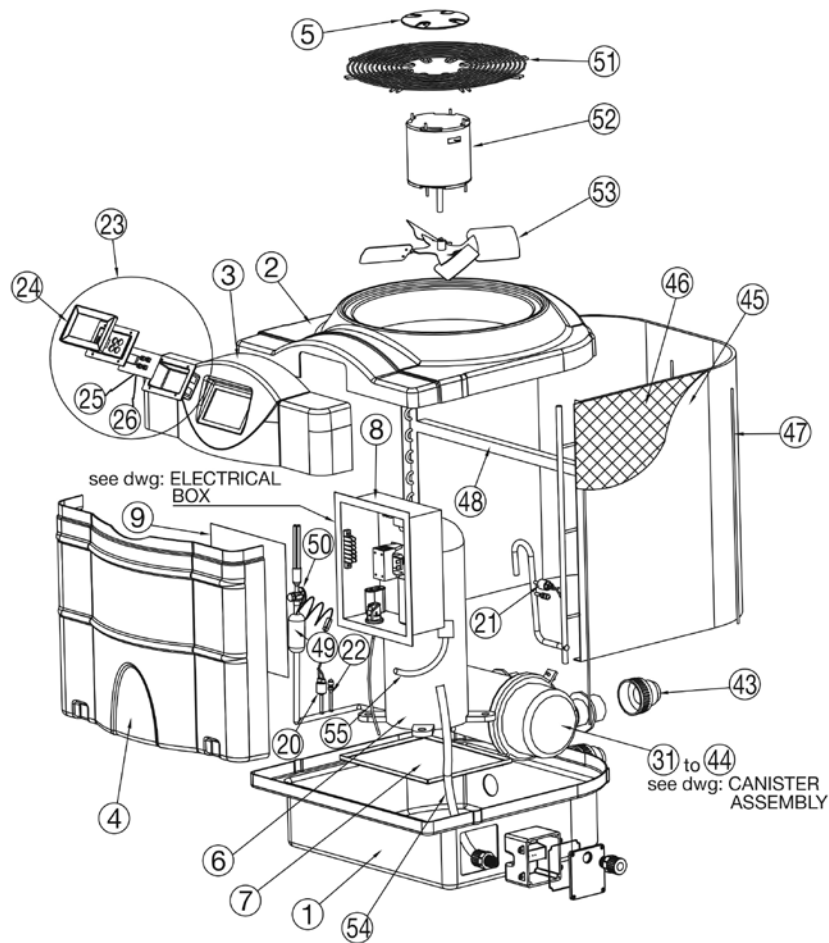
Heat Exchanger Assemblies Complete



Electroheat Plus MKII Models 85,105,125 150 Three Phase

Part Number	Product Description	Diagram No.	LIST PRICE
20-1524	Cabinet Ventilation Cap	5	£22.06
10-1038	Compressor Scroll 5hp R407C (85)	6	£3,048.48
10-1014	Compressor Scroll 6hp R407C (105)	6	£1,623.34
10-1040	Compressor Scroll 7hp R407C (125)		TBA
10-1047	Compressor Scroll 58hp R407C (150)	6	TBA
ELECTRICAL BOX			
50-1103	5mf - 370 VAC	10	£14.12
40-1006	Water Pressure Switch	11	£37.02
80-1512	Retaining Ring Pressure Switch	11	£1.44
50-1009	Contactors	12	£132.96
40-0001	Transformer	13	£44.68
40-0002	Fan Relay 24V	14	£17.59
40-1017	Phase Monitor	15	£234.78
20-1303	Clear Rubber Hose - 1m Length	16	£2.21
SWITCH			
40-1002FV	425 - 325 PSI Flare R407C	20	£40.90
40-1003V	25 - 50 PSI Flare R407C	21	£40.90
10-1319	Access Valve Schrader	22	TBA
CONTROLLER			
40-2000	EH Control Assy - All Models (40-1032)	23	£224.02
20-1527	Escutcheon White	24	TBA
40-1030	Defrost Sensor Probe - Yellow	25	£16.05
40-1031	Water Temperature Sensor Probe - Black	26	£13.07
HEAT EXCHANGER			
10-1236M	56' Large Align W/Dcoil 19/23kW	34	TBA
10-1225	16' Small Opposite - In (Right) (105)	35	£373.37
10-1226	16' Small Opposite - Out (Left) (105)	36	£387.45
10-1227	20' Small Opposite - In (Right) (125)	37	TBA
10-1228	20' Small Opposite - Out (Left) (125)	38	TBA
10-1231	24' Large Opposite - In (Right) (150)	39	£591.94
10-1232	24' Large Opposite - Out (Left) (150)	40	£591.94
122243B	40mm Half Union c/w O Ring Black	43	£5.18
05-1359	Connecting Tube	44	TBA
FILTER DRYER			
10-1345	1/2" X 1 5/8" OD (85) (30-1106P)	49	£46.83
10-1339	1/2" ODF 5 Tons (105, 125 & 150)	49	£37.66
EXPANSION VALVE			
10-1359	Expansion Valve 4 Tons R407C	50	£182.42
10-1372	Expansion Valve 5 Tons R407C (85)	50	£205.08
10-1365	Expansion Valve 6 Tons R407C (105)	50	£205.08
FAN GUARD			
60-1103	Round Medium (85)	51	£67.10
60-1104	Round Large (105, 125 & 150)	51	£76.30
FAN MOTOR			
30-1006	1/6 hp 900/1075 RPM (85)	52	£233.01
30-1004	1/4 hp 900 RPM (105, 125 & 150)	52	£327.78
FAN BLADES			
30-1106	Fan Blades 20" (85) (30-1106P)	55	£69.31
30-1107	Fan Blades 22" (105, 125 & 150)	55	£71.31
CANISTER			
20-1359	Plastic Clamp Band (one piece)	64	£35.66
80-1504	Rubber O Ring	65	£9.38
20-1300	Cable Gland 3/4 NPT	66	£15.56
20-1306	Hose Nipple	67	£1.91
20-1357	Hose Nipple O Ring	67	£0.89
20-1319	Thermostat Well 67.5 mm	68	£17.54
20-1320	Thermostat Well O Ring		£0.95
50-1205	Light Indicator (85)	N/S	£16.11

Electroheat Plus MKII Models 85,105,125 150 Three Phase

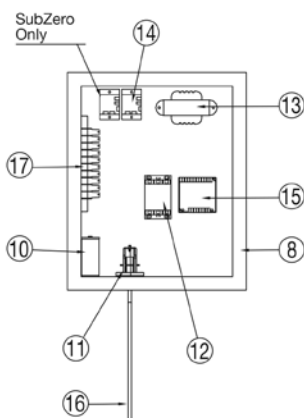


Electrical Box

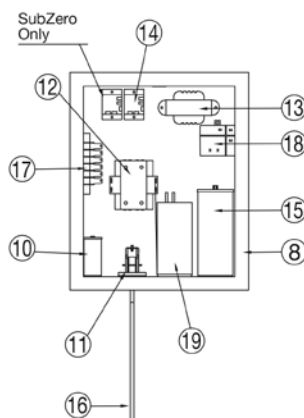
(all models)

Canister Assembly

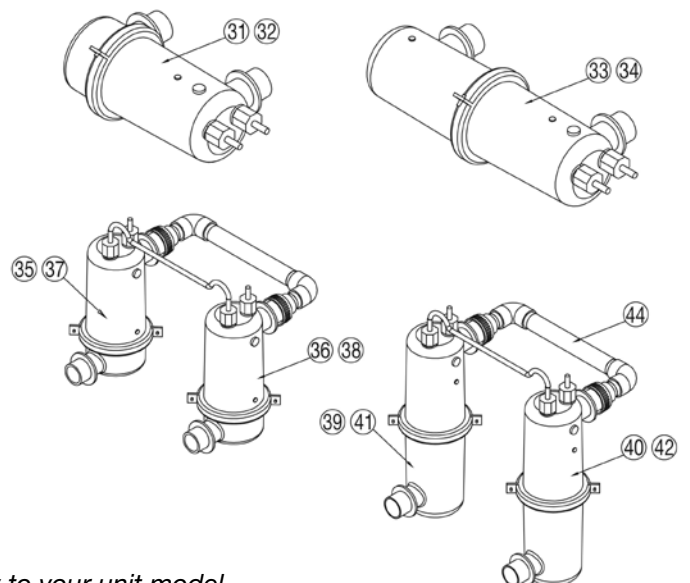
(all models)



3 ph



1 ph

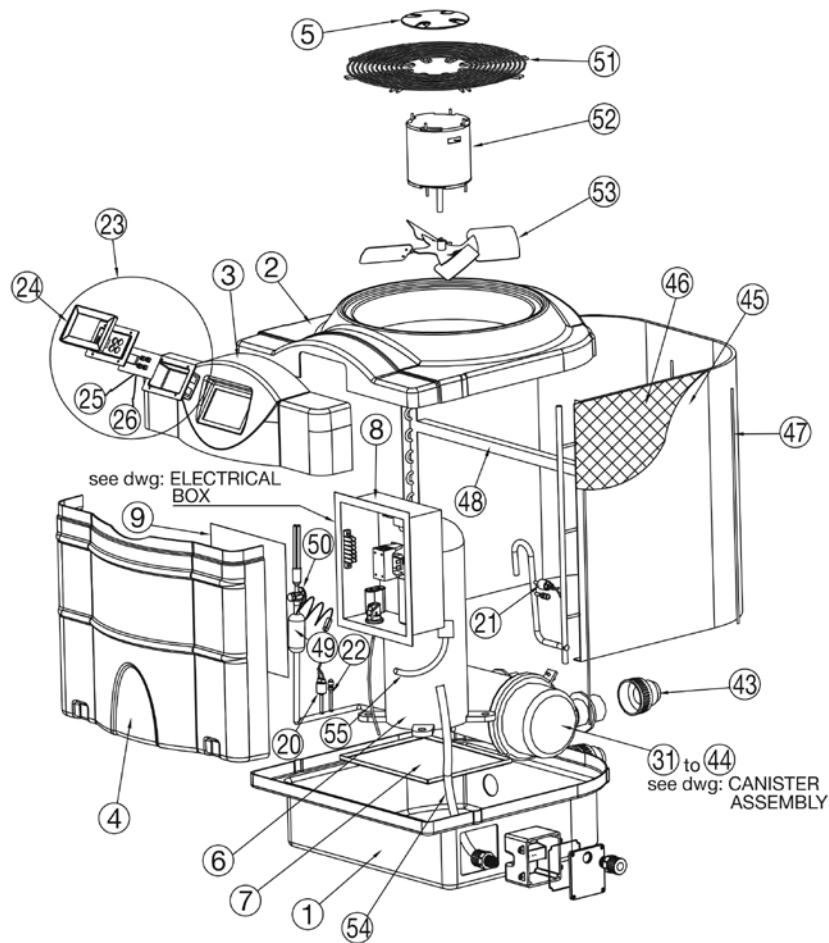


The images are for illustration only and may differ slightly to your unit model.

Electroheat Plus MKIII Models 25kW, 31kW, 37kW & 44kW Three Phase

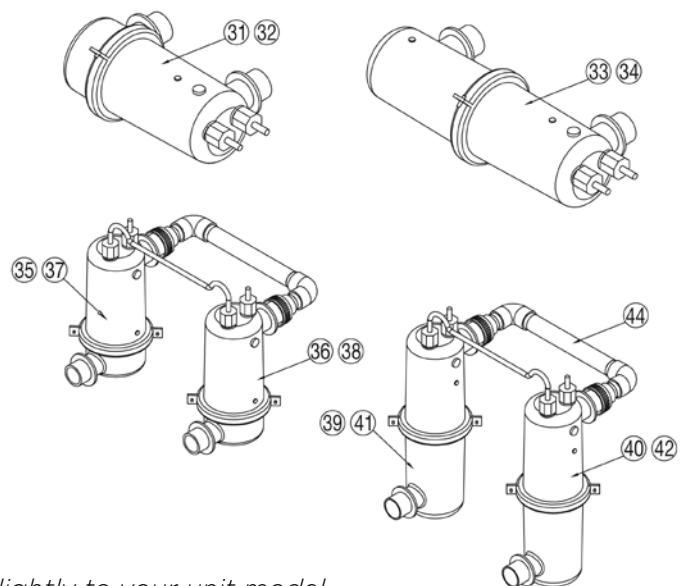
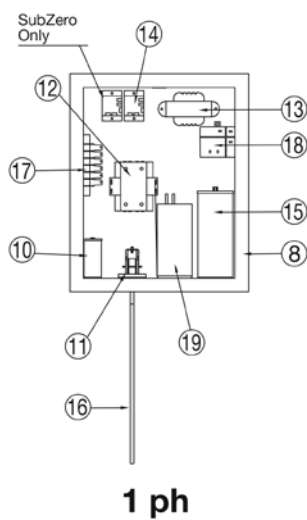
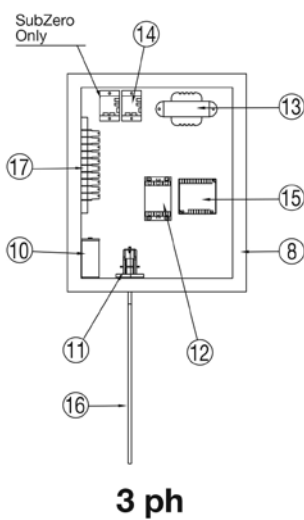
Part Number	Product Description	Diagram No.	LIST PRICE
20-1524	Cabinet Ventilation Cap	5	£22.06
10-1065	Compressor Scroll 6hp R410A (25KW)	6	£2,636.81
10-1070	Compressor Scroll 7hp R410A (31KW)	6	£3,401.90
10-1071SA	Compressor Scroll 8hp R410A (37KW)	6	£3,886.33
10-1072SA	Compressor Scroll 10hp R410A (44KW)	6	£5,056.97
ELECTRICAL BOX			
50-1103	Capacitor 5MFD 370 VAC E/H80 - 150BTU	10	£14.12
40-1006	Pressure switch	11	£37.02
80-1512	Flat Washer	11	£1.44
50-1009	Contactora (40A 24V 3-POLE)	12	£132.96
40-0001	Transformer	13	£44.68
40-0002	Relay 24V	14	£17.59
40-1017	Phase Monitor	15	£234.78
20-1303	Clear Rubber Hose	16	£2.21
SWITCH			
40-1041	565 - 400 PSI Flare R410A	20	£57.13
40-1033V	55 - 75 PSI Flare R410A	21	£60.27
10-1311	Acces Vavle Schrader 5/16"	22	TBA
CONTROLLER			
40-2000	EH Control Assy - All Models (40-1032)		
20-1527	Escutcheon White	24	TBA
40-1030	Defrost Sensor Probe - Yellow	25	£16.05
40-1031	Water Temperature Sensor Probe - Black	26	£13.07
HEAT EXCHANGER			
10-1236M	56' Large Align W/Dcoil 19/23kW	34	TBA
10-1227	20' Small Opposite - In (Right) (31KW, 37KW)	37	TBA
10-1228	20' Small Opposite - Out (Left) (31KW, 37KW)	38	TBA
10-1233	28' Large Opposite - In (Right) (44KW)	41	£591.94
10-1234	28' Large Opposite - Out (Left) (44KW)	42	£661.89
122243B	40mm Half Union c/w O Ring Black	43	£5.18
05-1359	Connecting Tube (31KW, 37KW & 44KW)	44	TBA
FILTER DRYER			
10-1345	1/2" X 1 5/8" OD (25KW)	49	£46.83
10-1339	1/2" ODF 5 Tons (31KW, 37KW & 44KW)	49	£37.66
EXPANSION VALVE			
10-1377	Expansion Valve 5 Tons R410A (25KW)	50	TBA
10-1378	Expansion Valve 6 Tons R410A (31KW)	50	£407.45
10-1379	Expansion Valve 8 Tons R410A (37KW)	50	£435.88
10-1380	Expansion Valve 9 Tons R410A (44KW)	50	TBA
FAN GUARD			
60-1103	Round Medium (25KW)	51	£67.10
60-1104	Round Large (31KW, 37KW & 44KW)	51	£76.30
FAN MOTOR			
30-1006	1/6 hp 900/1075 RPM (25KW)	52	£233.01
30-1004	1/4 hp 900 RPM (31KW, 37KW & 44KW)	52	£327.78
FAN BLADES			
30-1106	Fan Blades 20" (16, 25KW) (30-1106P)	55	£69.31
30-1107	Fan Blades 22" (31KW, 37KW & 44KW)	55	£71.31
CANISTER			
20-1359	Plastic Clamp Band (one piece)	64	£35.66
80-1504	Rubber O Ring	65	£9.38
20-1300	Cable Gland 3/4 NPT	66	£15.56
20-1306	Hose Nipple	67	£1.37
20-1357	Hose Nipple O Ring	67	£0.89
20-1319	Thermostat Well 67.5 mm	68	£17.54
20-1320	Thermostat Well O Ring	68	£0.95
50-1205	Light Indicator	N/S	£16.11

Electroheat Plus MKIII Models 25kW, 31kW, 37kW & 44kW Three Phase



Electrical Box (all models)

Canister Assembly (all models)

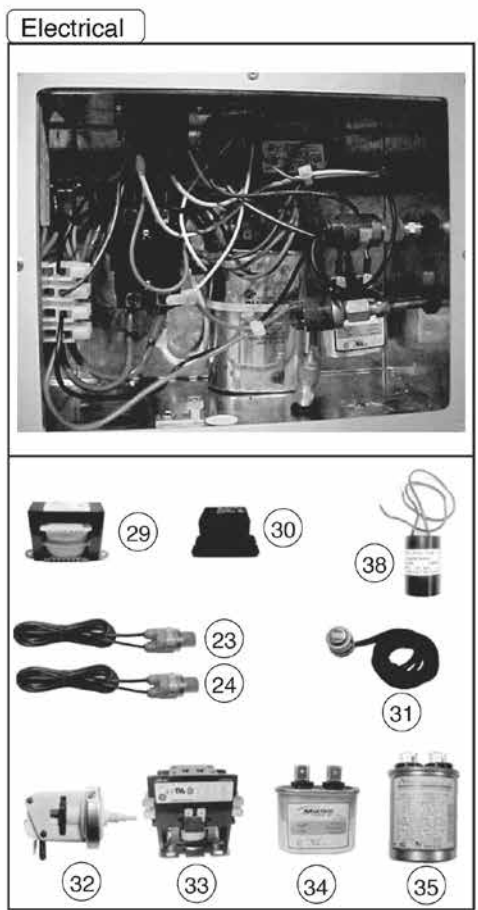


The images are for illustration only and may differ slightly to your unit model.

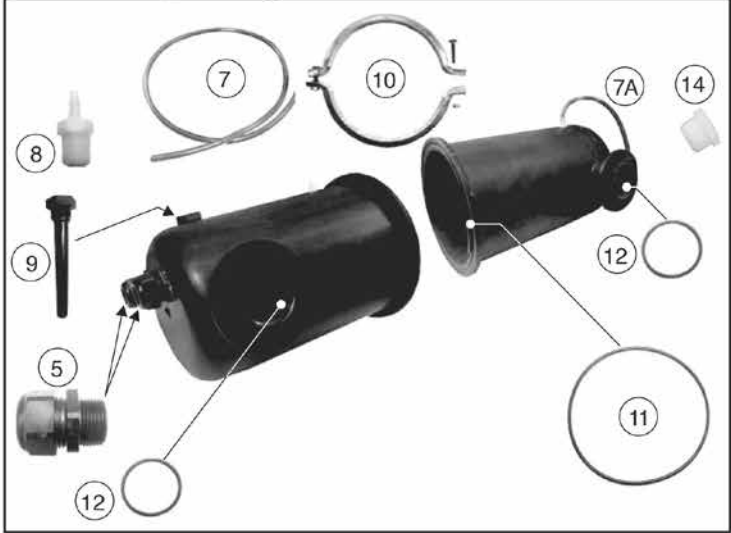
Electroheat Titanium MKI Model 55 & 80 Single Phase

Part Number	Product Description	Diagram No.	LIST PRICE
COMPRESSOR			
10-1009	Compressor 240V - 50Hz 1 phase	1	TBA
CONDENSATION			
05-1350	Heat Exchanger Assembly Complete EH80 28 Titanium	A/B	TBA
20-1300	Liquid Tight Connector $\frac{3}{4}$ " - 2 required	5	£15.56
20-1303	Clear Plastic Hose $\frac{1}{2}$ "ID x $\frac{1}{4}$ "OD (Pressure Switch) - 30" length	7	£2.21
20-1319	Thermostat Well 67.5 mm	9	£17.54
20-1320	Thermostat Well O Ring		£0.95
80-1410	Canister Clamp	10	£35.66
80-1504	Canister O'Ring $7\frac{1}{4}$ "	11	£9.38
80-1505	Water Inlet and Outlet O'Ring - 2 required	12	£1.79
20-1312	Plastic Cap $\frac{3}{4}$ " NPT - 2 required	14	TBA
VENTILATION			
30-1008	$\frac{1}{8}$ " hp - 900 rpm	21	£327.78
50-1103	Fan Run Capacitor	34	£14.12
30-1103	Fan Blade 16" (30-1103P)	22	£79.37
60-1129	Fan Grill ElectroHeat 80	36	TBA
EVAPORATION & EXPANSION			
10-1410	Capillary Assembly	4	TBA
10-1409	Capillary Kit Sanyo EH80	4	£63.39
10-1302	Refrigerant Distributor $\frac{3}{8}$ " - 6 tubes	NA	TBA
SAFETY SYSTEM			
40-1006	Water Pressure Switch	32	£37.02
80-1512	Retaining Ring Pressure Switch	NA	£1.44
20-1303	Tube PVC 30"	7	£2.21
40-1002	High Pressure Switch 250-425PSI	23	£40.90
40-1003	Low Pressure Switch 25-50PSI	24	£40.90
40-1030	Defrost Sensor	31	£16.05
20-1306	Nipple $\frac{1}{8}$ " Barb - 3 required	8	£1.37
40-1005	Defrost Control	31	£17.55
CONTROLLER			
05-1505	EH Control Assy - All Models	25	£224.02
20-1526	Sun Shade Dig/Control	28	£9.25
ELECTRIC BOX			
50-1008	Contactora 40A/24V/2 Poles	33	£57.41
40-0001	Transformer 240/24-12V	29	£44.68
40-0002	24V Fan Relay	30	£17.59
40-1016	24V Time Delay - 3 min	NA	£68.04

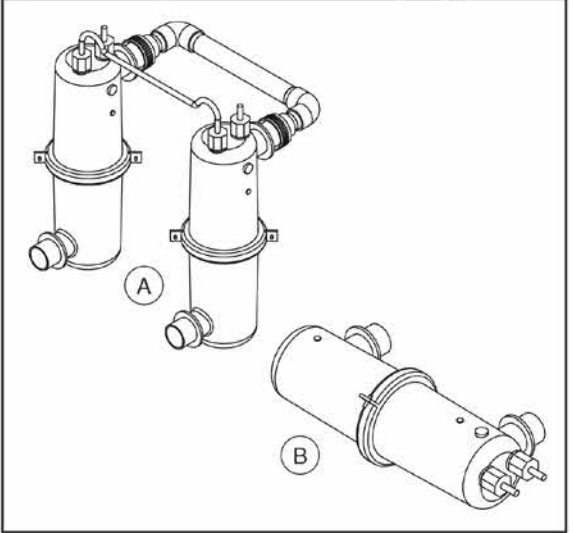
Electroheat Titanium MKI Model 55 & 80 Single Phase



Heat Exchanger Parts



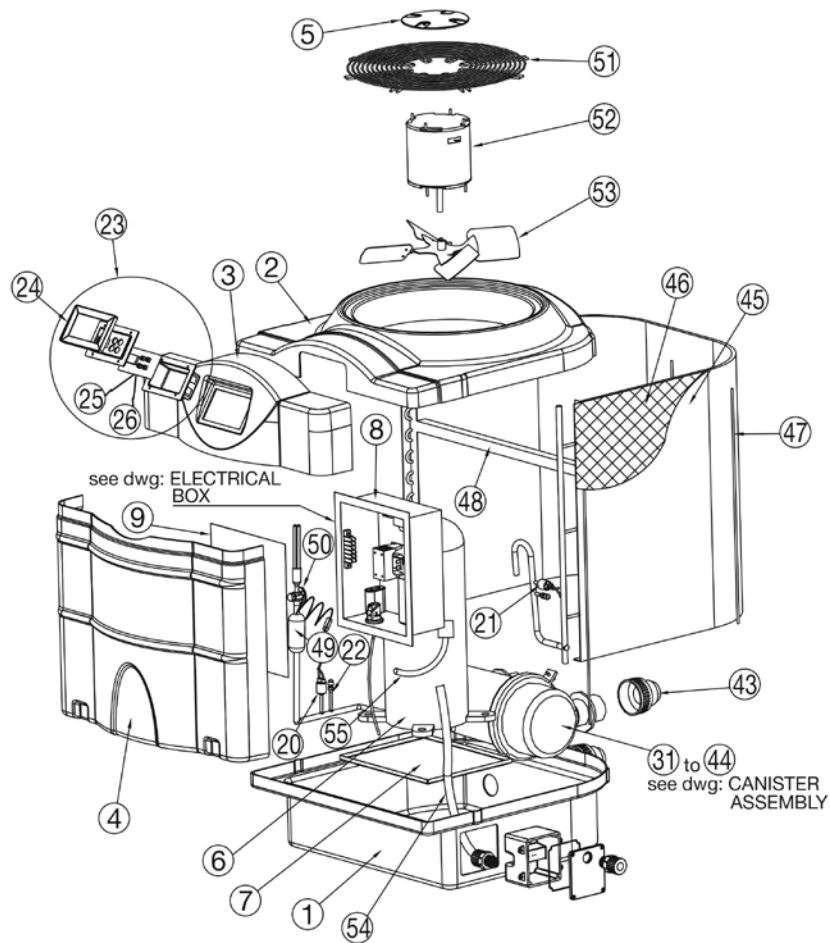
Heat Exchanger Assemblies Complete



Electroheat Titanium MKII Model 55 & 80 Single Phase

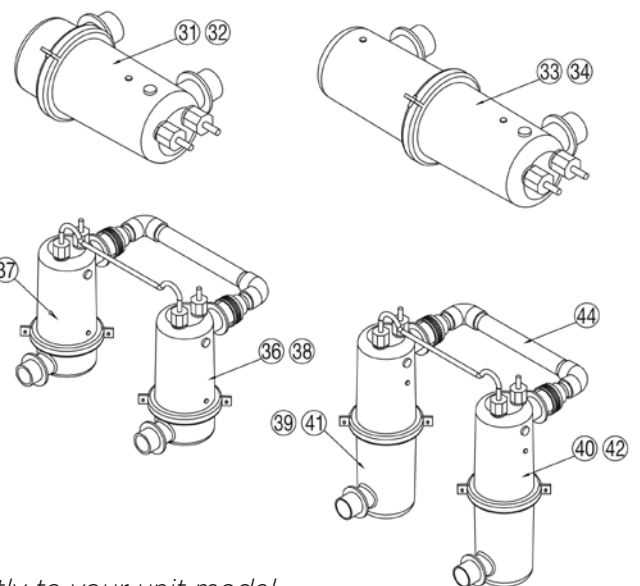
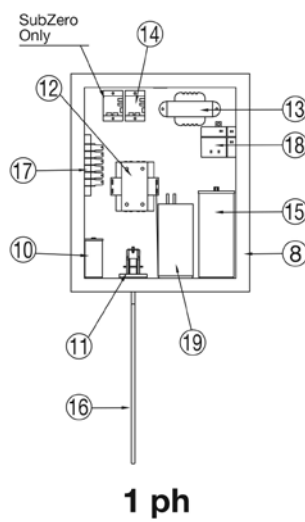
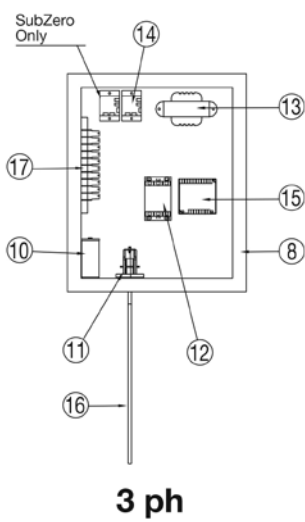
Part Number	Product Description	Diagram No.	LIST PRICE
20-1524	Cabinet Ventilation Cap	5	£22.06
10-1008DS	Compressor Scroll 4hp R407C (55)	6	£1,291.50
10-1012	Compressor Plus 105	6	£1,262.61
ELECTRICAL BOX			
50-1103	5mf - 370 VAC	10	£14.12
40-1006	Water Pressure Switch	11	£37.02
80-1512	Retaining Ring Pressure Switch	11	£1.44
50-1008	Contactora (40A 24V 2-POLE)	12	£57.41
40-0001	Transformer	13	£44.68
40-0002	Fan Relay 24V	14	£17.59
50-1110	70 mf - 440 VAC	15	£49.99
20-1303	Tube PVC 30"	16	£2.21
50-1332	Terminal Block 6 Poles	17	TBA
50-1119	Start Assist (55, 80)	19	£42.68
40-1025	Potential Relay (85)	18	TBA
50-1126	Start Capacitor (85)	19	TBA
SWITCH			
40-1002FV	425 - 325 PSI Flare R407C	20	£40.90
40-1003V	25 - 50 PSI Flare R407C	21	£40.90
10-1319	Access Valve Schrader	22	TBA
CONTROLLER			
40-2000	EH Control Assy - All Models (40-1032)		£224.02
20-1527	Escutcheon - White	24	TBA
40-1030	Defrost Sensor Probe - Yellow	25	£16.05
40-1031	Water Temperature Sensor Probe - Black	26	£13.07
HEAT EXCHANGER			
10-1230	20' Small Align (55)	32	£468.16
10-1236M	56' Large Align W/Dcoil 19/23kW	34	TBA
122243B	40mm Half Union c/w O Ring Black	43	£5.18
05-1359	Connecting Tube (55, 80)	44	TBA
FILTER DRYER			
10-1345	1/2" X 1 5/8" OD	49	£46.83
CAPILLARIES & EXPANSION VALVE			
10-1425	Capillaries 6 X 34" TC 54 (55)	50	TBA
10-1409	Capillaries 6 X 22" TC 64 (80)	50	£63.39
10-1372	Expansion Valve 5 Tons R407C (85)	50	£205.08
FAN GUARD			
60-1128	Compact Small (55)	51	TBA
60-1129	Compact Large (80)	51	TBA
60-1103	Round Medium (85)	51	£67.10
FAN MOTOR			
30-1008	1/8 hp 900 (55, 80)	52	£327.78
30-1006	1/6 hp 900/1075 RPM (85)	52	£233.01
FAN BLADES			
30-1110P	Fan Blades 14" (55)	53	TBA
30-1103P	Fan Blades 16" (80)	53	£79.37
30-1106	Fan Blades 20" (85)	53	£69.31
CANISTER			
05-1351	Inlet large (85)	56	£102.60
20-1344	Stabilization Bar 9" (85) Required 1 each for both inlet & outlet	56	TBA
05-1353	Outlet Large (85)	57	£91.78
20-1359	Plastic Clamp Band (one piece)	64	£35.66
80-1504	Rubber O Ring	65	£9.38
20-1300	Cable Gland 3/4 NPT	66	£15.56
20-1306	Hose Nipple	67	£1.37
20-1357	Hose Nipple O Ring	67	£0.91
20-1319	Thermostat Well 67.5 mm	68	£17.54
20-1320	Thermostat Well O Ring		£0.95
50-1205	Light Indicator (85)	N/S	£16.11

Electroheat Titanium MKII Model 55 & 80 Single Phase



Electrical Box
(all models)

Canister Assembly
(all models)

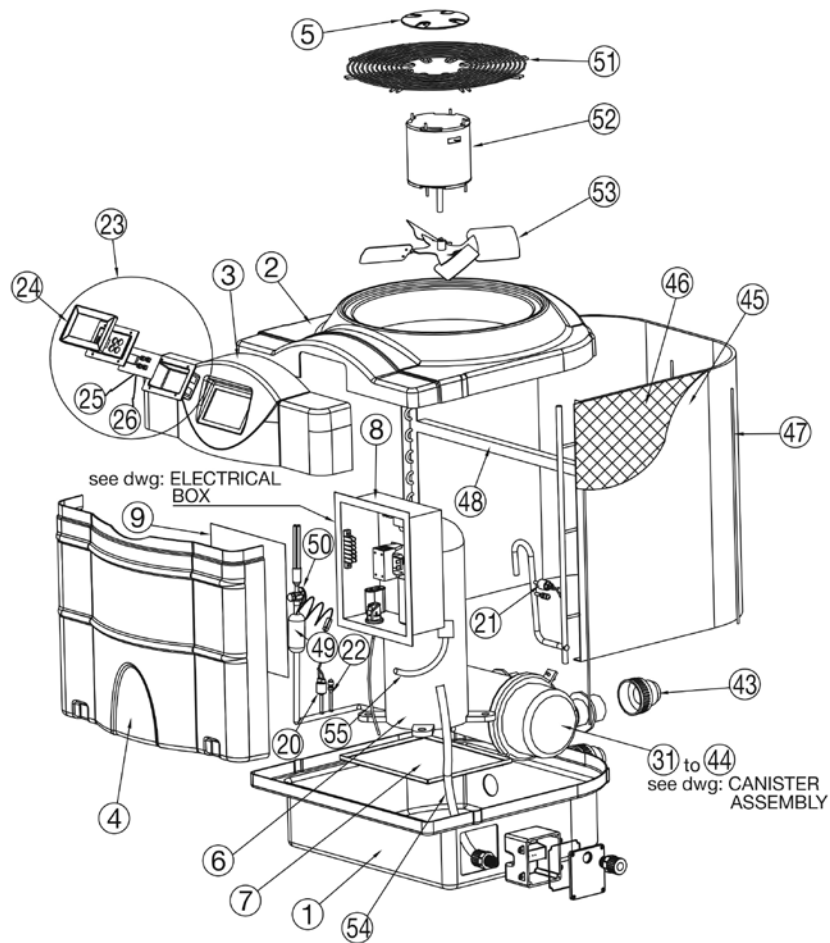


The images are for illustration only and may differ slightly to your unit model.

Electroheat Titanium MKIII Models 16kW & 23kW Single Phase

Part Number	Product Description	Diagram No.	LIST PRICE
20-1524	Cabinet Ventilation Cap	5	£22.06
10-008DS	Compressor Scroll 4hp R407C (16KW)	6	£1,291.50
10-1078CS	Compressor Scroll 4hp R410A (16KW)	6	TBA
10-1075DS	Compressor Scroll 5hp R410A (23KW)	6	£2,406.50
10-1076DS	Compressor Scroll 6hp R410A (25KW)	6	£3,886.58
ELECTRICAL BOX			
50-1103	5mf - 370 VAC	10	£14.12
40-1006	Water Pressure Switch	11	£37.02
80-1512	Retaining Ring Pressure Switch	11	£1.44
50-1008	Contactora (40A 24V 2-POLE)	12	£57.41
40-0001	Transformer	13	£44.68
40-0002	Fan Relay 24V	14	£17.59
50-1110	70 mf - 440 VAC (16KW)	15	£49.99
50-1127	80 mf - 440 VAC (16KW)	15	TBA
50-1106	55 mf - 440 VAC (23KW)	15	£41.19
20-1303	Tube PVC 30"	16	£2.21
50-1333	Terminal Block 10 Poles (16KW, 23KW)	17	TBA
50-1119	Start Assist (16KW, 23KW)	19	£42.68
SWITCH			
40-1002FV	425 - 325 PSI Flare R407C (16KW)	20	£40.90
40-1041	565 - 400 PSI Flare R410A	20	£57.13
40-1003V	25 - 50 PSI Flare R407C (16KW)	21	£40.90
40-1033V	55 - 75 PSI Flare R410A	21	£60.27
10-1311	Access Valve Schrader 5/16"	22	TBA
CONTROLLER			
40-2000	EH Control Assy - All Models (40-1032)		£224.01
20-1527	Escutcheon White	24	TBA
40-1030	Defrost Sensor Probe - Yellow	25	£16.05
40-1031	Water Temperature Sensor Probe - Black	26	£13.07
HEAT EXCHANGER			
10-1230	20' Small Align (16KW)	32	£468.16
10-1236M	56' Large Align W/Dcoil 19/23kW	34	TBA
122243B	40mm Half Union c/w O Ring Black	43	£5.18
FILTER DRYER			
10-1345	1/2" X 1 5/8" OD	49	£46.83
CAPILLARIES & EXPANSION VAIVE			
10-1425	Capillaries 6 X 34" TC 54 R407C (16KW)	50	TBA
10-1451	Capillaries 6 X 41" TC 64 R410A (16KW)	50	TBA
10-1405	Capillaries 6 X 24" TC 64 R410A (23KW)	50	TBA
10-1377	Expansion Valve 5 Tons R410A (25KW)	50	TBA
FAN GUARD			
60-1128	Compact Small (16KW)	51	TBA
60-1129	Compact Large (23KW)	51	TBA
60-1103	Round Medium (25KW)	51	£67.13
FAN MOTOR			
30-1008	1/8 hp 900 (16KW, 23KW)	52	£327.78
30-1006	1/6 hp 900/1075 RPM (25KW)	52	£233.01
FAN BLADES			
30-1110P	Fan Blades 14" (13KW)	53	TBA
30-1103P	Fan Blades 16" (23KW) - old	53	£79.37
30-1106P	Fan Blades 20" (25KW)	53	£69.31
CANISTER			
05-1351	Inlet large (25KW)	56	£102.60
20-1344	Stabilization Bar 9" (25KW) Required 1 each for both inlet & outlet	56	TBA
05-1353	Outlet Large (25KW)	57	£91.78
20-1359	Plastic Clamp Band (one piece)	64	£35.66
80-1504	Rubber O Ring	65	£9.40
20-1300	Cable Gland 3/4 NPT	66	£15.56
20-1306	Hose Nipple	67	£1.37
20-1357	Hose Nipple O Ring	67	£0.91
20-1319	Thermostat Well 67.5 mm	68	£17.54
20-1320	Thermostat Well O Ring	68	£0.95
50-1205	Light Indicator	N/S	£16.11

Electroheat Titanium MKIII Models 16kW & 23kW Single Phase

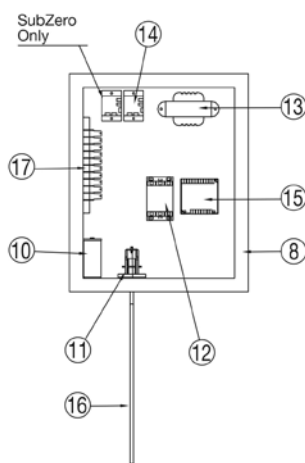


Electrical Box

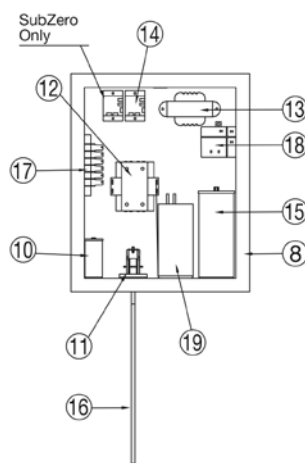
(all models)

Canister Assembly

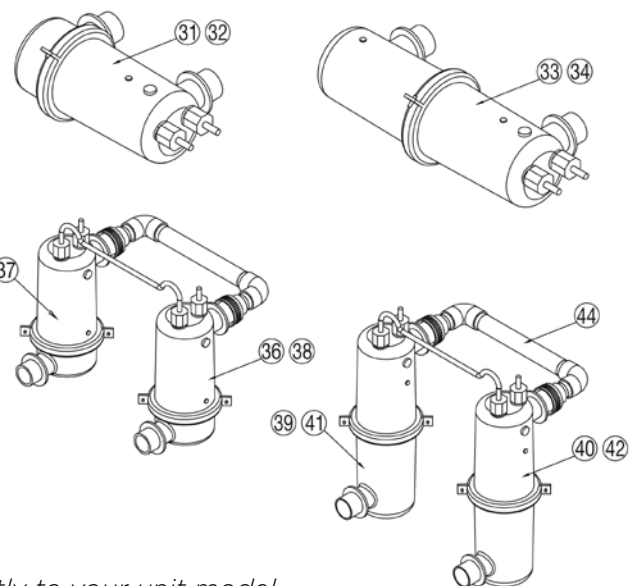
(all models)



3 ph



1 ph



The images are for illustration only and may differ slightly to your unit model.

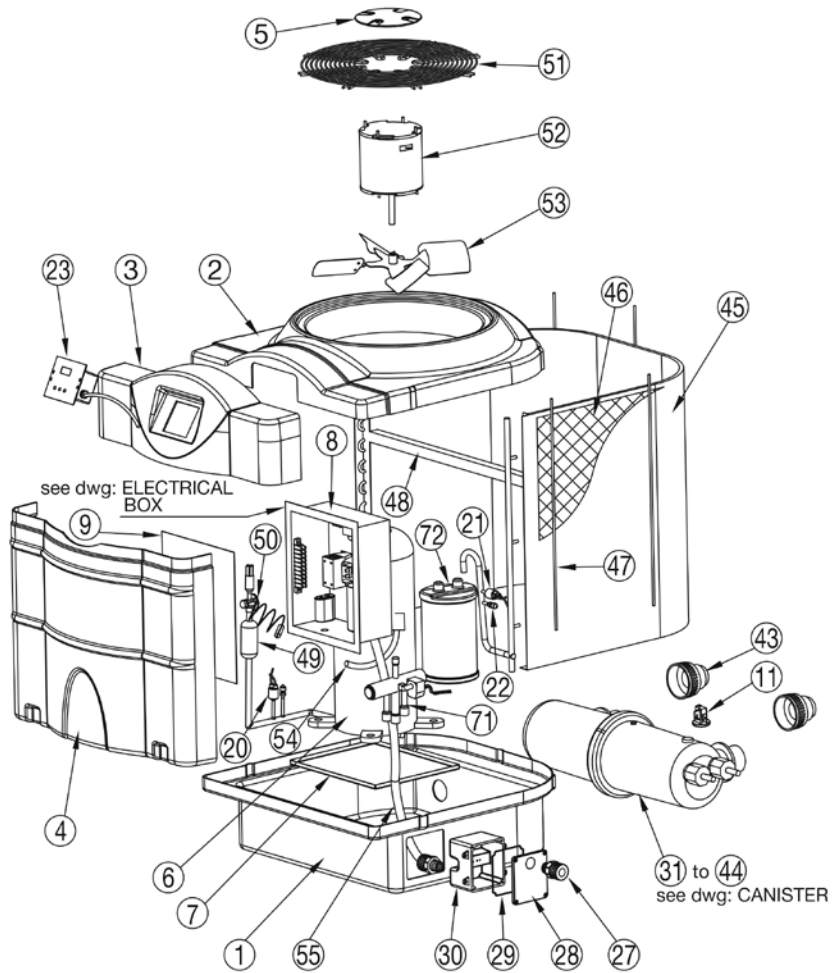
Electroheat Inverter 12kW 2781210EU

Part Number	Product Description	Diagram No.	List Price
COMPRESSOR			
W32139	Compressor Rotary Inverter Mitsubishi R410A		
W32413	Thermoacoustic Compressor Jacket		
SWITCHES			
W32151	High Pressure Switches OFF 3.6MPA (522 PSI)		
W32152	Low Pressure Switches OFF 0.09MPA (13 PSI)		
10-1311	Access Valve 5/16"		
40-1006A	Adjustable Water Pressure Switch		£37.02
CONTROLLER			
W32144	Inverter Controller System 3HP		
W32166	Inverter Controller Cover		
HEAT EXCHANGER			
10-1235MI	Heat Exchanger 28" Small Align With Double Coil		
122243B	Half Union 40mm C/W O-Ring Black		£5.18
FILTER DRIER & ACCUMULATOR			
W32154	Filter Drier 5 Tonne		
W32153	Accumulator		
CAPPILARIES & EXPANSION VALVE			
W32141	Electronic Expansion Valve		
FAN GUARD			
60-1102	Fan Guard		
80-1619	Rubber Grommet		
FAN MOTOR			
W32142	Fan Motor DC280V 120W 8P IP44		
FAN BLADE			
W32143	Fan Blade 19.5" 3 Blade Plastic		
4 WAY REVERSING VALVES			
W32150	4 Way Reversing Valve		
CANISTER			
W22125	Plug 1/8" BSP Heat Pump		
20-1319	Thermostat Well 67.5mm		£0.95
W12419	O-Ring Canister		
W22031	Nipple O-Ring		
W22038	Thermostat Well O-Ring		£39.26
W22041	Clamp Band Heat Pump		
20-1306	1/8" Barb Nipple Heat Pump		£1.37
20-1300	3/4" Liquid Tight Connector 16mm Dia. Seal		£15.56
W32406	Canister Outlet Small		
Panels			
W32146	Front Panel Inverter Grey		
Others			
W32148	Fan Cover Black		
W32402	Flat Bar Support SS316		
80-1021-N	Cap Large - Black Screws		
80-1025	Cap Base For Big Screw Cap		
W22927	Nylon Screw Cover		

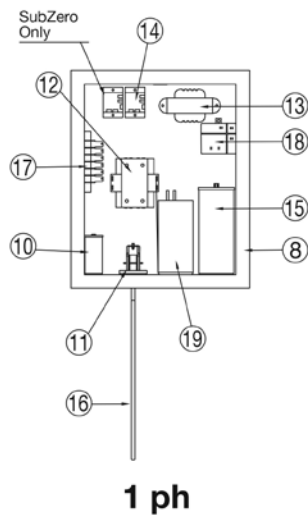
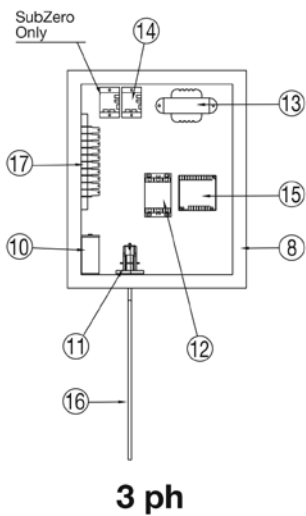
Electroheat Ultra Models 22kW, 29kW & 44kW Three Phase

Part Number	Product Description	Diagram No.	List Price
20-1525	Ventilation Cap	5	£29.11
10-1065SA	Compressor Scroll 6 HP R410A (22kW)	6	£2,636.81
10-1070SA	Compressor Scroll 7 HP R410A (29kW)	6	£3,533.81
70-1208EC	Compressor Support Scroll 4 Holes	7	TBA
10-1072SA	Compressor Scroll 10 hp (44kW)	6	£5,056.98
ELECTRICAL BOX			
50-1103	5 mf - 370 VAC	10	£14.13
40-1006A	Pressure Switch	11	£37.02
50-1009	Contactora	12	£132.97
40-0001	Transformer	13	£44.69
40-0002	Relay 24 V	14	£17.60
40-1017	Phase Monitor	15	£234.78
50-1333	Terminal Block 10 poles	17	
SWITCH			
40-1040	50 - 25 PSI R410A (All Models) - Low Pressure	20	
40-1041	565 - 400 PSI R410A (all Models) - High Pressure	20	£49.51
10-1311	Acces Valve Schrader 5/16"	22	£8.18
CONTROLLER			
40-5000M2	Control Assembly Multi function	23	£367.97
HEAT EXCHANGER			
05-1305R	16' Small Opposite - In (Right) 22KW	35	£1,778.93
05-1305L	16' Small Opposite - Out (Left) 22KW	36	£1,778.93
05-1306R	20' Small Opposite - In (Right) 29KW	37	£1,860.14
05-1306L	20' Small Opposite - Out (Left) 29KW	38	£1,860.14
122243B	40mm Half Union c/w O Ring Black	43	£12.43
10-1236MR	Large Opposite in (Right) 44KW		£1,220.04
10-1236L	Large Opposite out (Left) 44KW		£1,220.04
05-1362	Connecting Tube PVC	44	
FILTER DRYER			
		49	
10-1340	Bi-Flow 1/2" ODF 5 Tons (22kW & 29kW)		£171.29
10-1376	Bi Flow 5/8" ODF 10 Tons (44kW)		£197.23
EXPANSION VALVE			
10-1381	Expansion Valve 4 Ton R410A (22kW)	50	£182.46
10-1378	Expansion Valve 6 Ton R410A (29kW)	50	£407.46
10-1380	Expansion Valve 9 Ton R410A (44kW)		
FAN GUARD			
60-1104	Round Large (All Models)	51	£152.25
FAN MOTOR			
30-1004	1/4 hp 900 RPM (All Models)	52	£327.78
FAN BLADES			
30-1107	Fan Blades 22"	53	£71.31
CANISTER			
W22041	Plastic Clamp Band (one piece)	64	£38.21
W12419	Rubber O Ring	65	£14.26
20-1300	Cable Gland 3/4 NPT	66	£15.56
20-1306	Nipple 1/8" Barb	67	£1.37
W22031	Hose Nipple O Ring	67	£2.37
20-1319	Thermostat Well 67.5 mm	68	£0.95
W22038	Thermostat Well O Ring	68	£2.37
OTHERS			
50-1205	Light Indicator	70	£15.79
10-1362	4 Way Reversing Valve	71	£586.39
10-1501	Suction Line Accumulator	72	£257.82

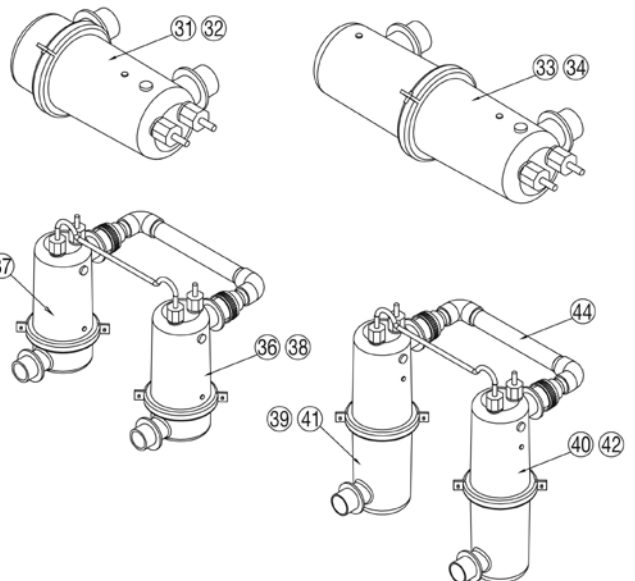
Electroheat SubZero and Ultra



Electrical Box
(all models)



Canister Assembly
(all models)

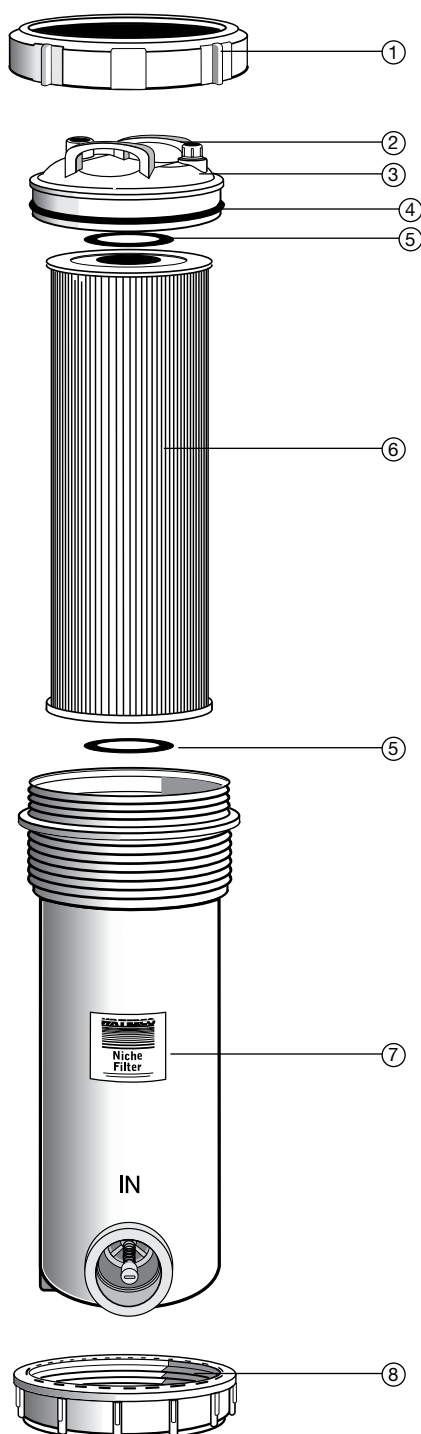


Electroheat MKIV & Ultra 278092, 278094, 278122, 278151, 278191, 278231, 2781911, 2782311

Part Number	Product Description	Diagram No.	List Price
COMPRESSOR			
10-1024HI	Compressor Rotary 2.4HP R410 240V 50HZ (9kW)		£926.81
10-1084HI	Compressor Rotary 3.2 HP R410 240V 50HZ (12kW & 15kW)		£1,471.50
10-1074SA	Compressor Scroll 4.5 hp R410A (19kW)		£2,692.83
10-1076DS	Compressor Scroll 6.0 hp R410 (23kW)		£3,464.72
HEAT EXCHANGER			
10-1235M	Heat Exchanger 28' Sml Align with Double Coil (9KW - 278094 / 12KW / 15kW)		£2,050.79
10-1236M	Heat Exchanger 56' Large Align with Double Coil (19kW/23kW)		£2,439.43
20-1300	3/4" Liquid Tight Connector H/Pump		£15.56
122243B	40mm Half Union C/W O'ring - Black		£12.43
20-1319	Thermostat Well 67.5 mm		£17.54
W22038	Thermostat Well O Ring		£39.26
CAPILLARY			
W22891	Capillary Kit with Distributor 3x21" TC54		£174.14
10-1388	Bi Flow Distributor Assembly #89 with strainer 3/8" (19kW)		£415.92
10-1389	Bi Flow Distributor Assembly #102 with strainer 3/8" (23kW)		£502.07
10-1385	Reversing Valve Assy Ultra		£838.18
ELECTRICAL			
40-1006AV	Flow Switch Adjustable - Flare 3/4 NPT		£50.39
30-1023	Fan Motor 45W 208-230 50/60hZ 6P		£168.38
30-1116	Fan Blades 18" 12.7mm PP + Fibre		£125.76
60-1131	Fan Guard 18"		£149.92
50-1008	Contactator		£57.42
40-0001	Transformer		£44.69
40-0002	Fan Relay 24V		£28.99
40-2000	Heat Pump Control Assy W Diagnostics		£367.97
40-5000M2	Heat Pump Control Assy Reversing W/Diagnostics 40-1036 (Ultra, 19kW & 23kW)		£224.03
20-1531	Escutcheon Assy Black Tinted Clear Cover		
40-1040	Low Press Switch R410 25 - 50 PSI		
40-1041	High Press Switch R410 565 - 400 PSI		£49.51
40-2005M2	Defrost Sensor Probe - Yellow		£16.06
40-2007M2	Water Temperature Sensor Probe - Black		£13.08
BODY PANELS			
W44529	Base Panel - Black		£130.33
20-1942	Top Panel - Black		£130.33
60-1117	Support Rod Small		£5.11

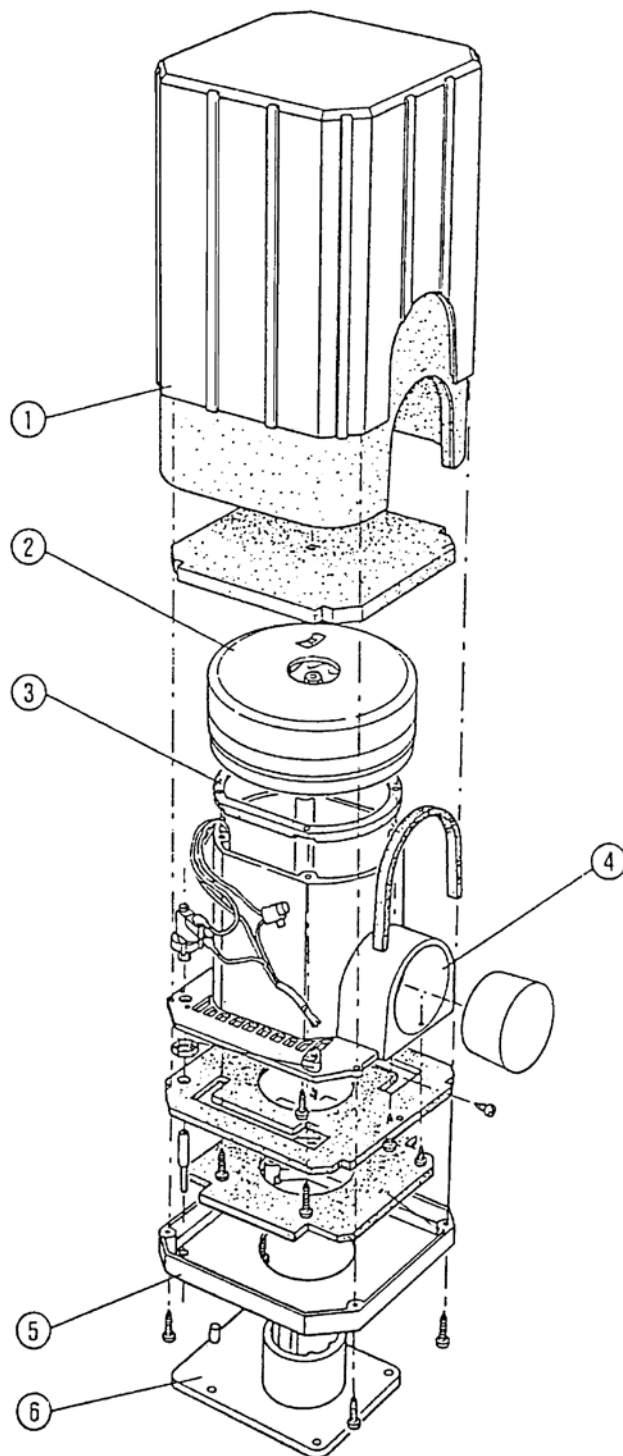
Top Load Cartridge Filter

Part Number	Product Description	Diagram No.	LIST PRICE
61209	Lid lock ring	1	£24.46
61206	Air release valve	2	£4.06
61207	Air release o ring	n/s	£2.03
61205	Lid	3	£18.71
61208	Lid o ring	4	£7.59
61213	Spacer ring	5	£3.06
62010	50sq ft cartridge	6	£91.12
62009	75sq ft cartridge	6	£124.69
61210	Top load filter tank 50	7	£61.00
61211	Top load filter tank 75	7	£83.87
61212	Body lock ring	8	£16.28
61200	Bi-pass valve	n/s	£14.64



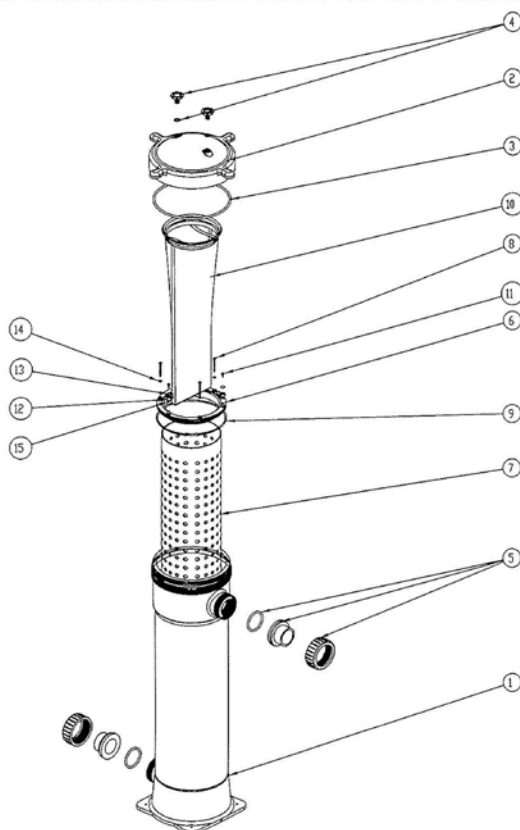
Whisper Air / Airflo Blowers

Part Number	Product Description	Diagram No.	LIST PRICE
S130501	Blower outer housing	1	£46.05
S07267L	Blower motor	2	£252.41
S130551	Blower motor mounting gasket	3	£6.54
S130581	Internal motor mount	4	£4.65
S130531	Blower bottom cowl	5	£231.60
S130511	Blower base (stand)	6	£16.29
S130571	Plug		£2.35
S13785	Blower motor brushes (each)		£52.99
S12811	Air Switch Latch		£80.10
82443911	Fair-Rite Suppression Core		£9.89
82443905	EMI Filter		£41.56



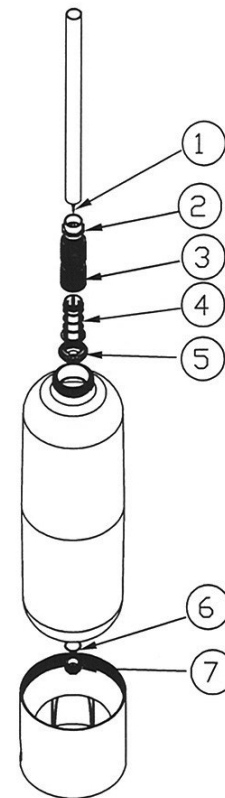
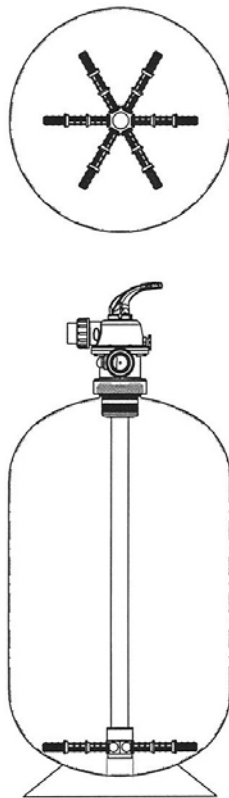
Commandomatic Trimline Filters

Part Number	Product Description	Diagram No.	LIST PRICE
COMMANDOMATIC BAG FILTER (TBF)			
3651931	1 micron filter bag - C50	10	£24.25
36519310	1 micron filter bag - C75	10	£30.63
3651924	5 micron filter bag - C50	10	£13.70
36519240	5 micron filter bag - C75	10	£30.61
3651925	25 micron filter bag - C50	10	£13.72
36519250	25 micron filter bag - C75	10	£30.62
3651926	50 micron filter bag - C50	10	£13.70
36519260	50 micron filter bag - C75	10	£30.63
36519265	800 micron filter bag - C50	10	£34.97
36519266	800 micron filter bag - C75	10	£41.26
62044130	Trimline Bag Filter C50 Tank Drilled	1	£109.43
62044180	Trimline Bag Filter C75 Tank Drilled	1	£402.52
6204417	Trimline Bag Housing Lid	2	£128.28
620262	O Ring G220	3	£10.89
620261	O Ring G220 - Viton	3	£10.89
620221	Air release valve (x1)	4	£4.65
6201931	Air release valve - Viton (O Ring)	4	£6.12
122256BLK	Half Union Trimline 2"/50mm Black (2 required)	5	£7.21
122257BLK	Half Union Trimline 2"/1.5" Black (2 required)	5	£8.57
W02647BLK	Lock nut 2" (2 required)	5	£10.17
6340246BLK	Tail end 2" x 50mm (2 required)	5	£2.52
W02648BLK	Tail end 2" x 1.5" (2 required)	5	£3.26
W02280	O Ring BS332 Half Union 2"	5	£2.74
3651947	Cage Ring	6	£93.09
3651946	T/L Bottle with drill Hole - C50	7	£83.12
36519460	T/L Bottle with drill Hole -C75	7	£159.45
620292	Screw - CSK 10g x 50 SLD TPPNG	8	£1.09
620293	O Ring 205 x 4	9	£9.38
6340087	Screw - CSK 8g x 13 SLD TPPNG	11	£0.42
620291	latch	12	£2.64
620294	washer	13	£1.22
82444204	o ring BS 011	14	£1.80
82444205	o ring BS 010	15	£1.67



W & WD Series Deep Bed Filter

Part	Product Description	Diagram No.	LIST PRICE
2247250	W 250 tank & under drain assembly		£484.63
22473011	W 300 tank & under drain assembly		£399.08
22473571	W 350 tank & under drain assembly		£553.68
22474071	W 400 tank & under drain assembly		£663.43
22475071	W 500 tank & under drain assembly		£793.14
22476071	W 600 tank & under drain assembly		£1,017.61
22477071	W 700 tank & under drain assembly		£1,466.55
22483071	WD 300 tank & under drain assembly		£532.29
22483571	WD 350 tank & under drain assembly		£700.13
22484071	WD 400 tank & under drain assembly		£853.59
22485071	WD 500 tank & under drain assembly		£1,016.64
22486071	WD 600 Tank & under drain assembly		£1,390.69
22487071	WD 700 tank & under drain assembly		£1,711.97
22472502	W 250 MK2 tank & under drain assembly (suit auto valve)		£313.54
22473012	W 300 MK2 tank & under drain assembly (suit auto valve)		£510.69
W02026BLK	Drain Plug 15mm Assembly		£234.30
W02936	Pressure Gauge 110mm - 6 Bar		£189.24
855172	Adaptor A15 Clack Valve (Auto Valve)		£15.25
62093021	40mm End Plug	7	TBA
823319	DE Screw Elbow O-Ring 40mm	6	£3.23
W22279	Locater + Bayonet Assembly	5	TBA
6209222	Lateral Diverter MK2	4	TBA
6209211	Lateral W300	3	£3.11
6209252	Lateral Socket MK2	2	£1.63
W22208	Screw G8 x 1" Stainless Steel 316 P/Head	1	TBA



Model W250 & W300

Part No:	Hexagonal Manifold	W02986	W02984	W02985	W02991
		LATERALS			
Model		40mm	60mm	120mm	120mm
W400/WD400	1	-	-	6	-
W500/WD500	1	6	-	-	6
W600/WD600	1	-	6	-	6
W700/WD700	1	-	-	6	6