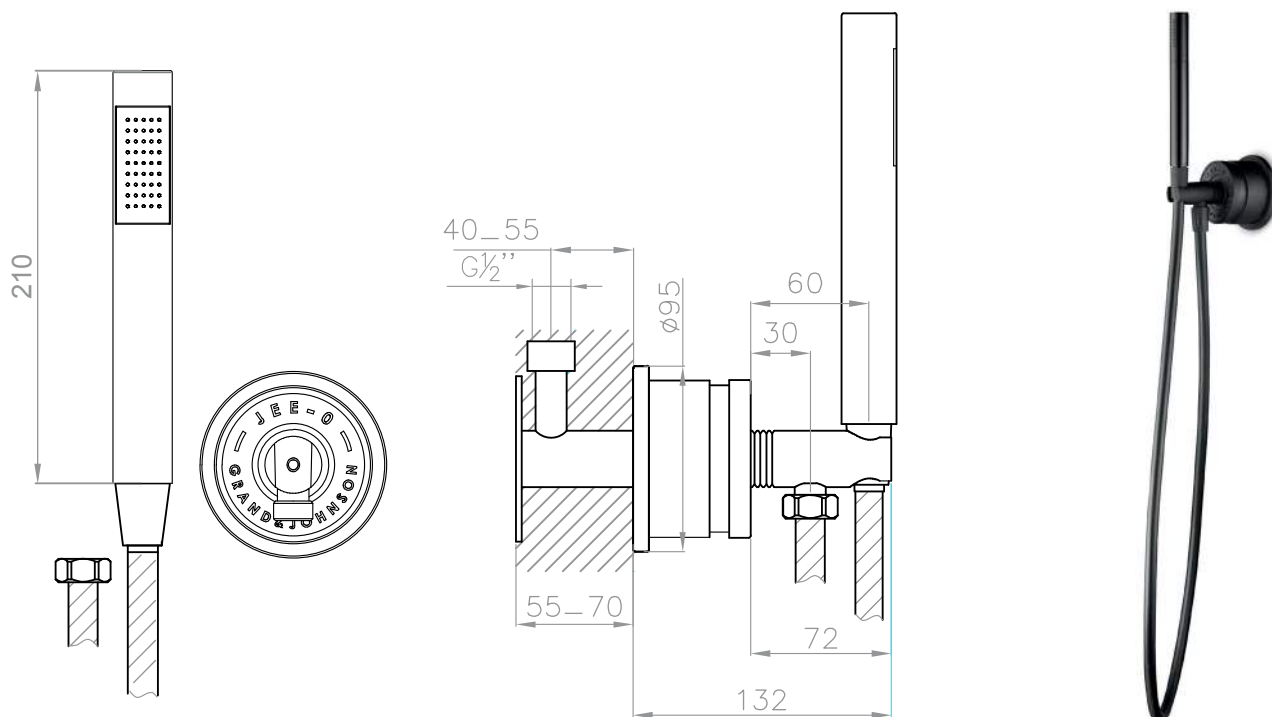




JEE-O soho wall hand shower



Article code:

700-6910

● RAW

700-6912

● 1.5 Electro powder spray hammercoated black

Material:

Stainless Steel r304

Cleaning instructions:

download JEE-O shower and taps manual on our website: www.jee-o.com

Flexhose:

150 cm length

Connection:

Thread:

G 1/2" (ø15mm / 0.6")
British Standard Pipe (BSP)

Dimension package:

Total weight:

Package weight:

L 48 x W 20 x H 14 cm

2.8 kg

0.3 kg

7 year warranty - The general conditions can be found on our website: www.jee-o.com/downloads

HS code:

84818011

Approval

